

Quick Couplings • Diagnostics • Clamps • Ball Valves
Gauges • Flow Controls • Check Valves



PCI
HYDRAULICS+

*Fast.
Friendly.
Reliable.*

Table of Contents

SERIES.....PAGE

QUICK COUPLINGS	
FLUSH FACE.....	1- 8
HNV ISO-B.....	9-11
ANV ISO-A.....	12-13
NS/NV AGRICULTURAL.....	14-16
CRT SERIES.....	17
FB WING NUT.....	18-19
VVP SCREW TYPE.....	20-21
PVEP HEAVY DUTY SCREW TYPE.....	22-23
PVV HIGH PRESSURE SCREW TYPE.....	24-25
PC35 ULTRA HIGH PRESSURE	26
TNV/TNL VALVED/UNVALVED.....	27-29
ST STRAIGHT THROUGH/NON-VALVED.....	30-32

DIAGNOSTICS & GAUGES

PPD PUSH TO CONNECT	33
H900 THREAD TO CONNECT.....	34-36
PCLG ANALOG GAUGES.....	37
PCDG DIGITAL GAUGES.....	38
H900 TEST KITS.....	39

HIGH PRESSURE BALL VALVES

BKH.....	40
SKH.....	41
HRKH.....	42
RKH	43
BK3.....	44
SK3.....	45
PV2/PV3	46
SPLIT FLANGE	47
FULL FLANGE.....	48
SPLIT X FULL FLANGE.....	49
FCKH WAFER.....	50
ACCESSORIES	51
ACTUATORS	52
QUALITY/WARNINGS.....	53

SERIES.....PAGE

PRESSURE WASH VALVES	
PW5000.....	54

LOW-MEDIUM PRESSURE BALL VALVES

MPV.....	55
171N	56
383	56
SLB	57

FLOW CONTROL / NEEDLE VALVES

FCV	58
NVI	58
PC100	59
PC400	60

CHECK VALVES

VU.....	61-62
HSP.....	63

PIPE, TUBE & HOSE CLAMPS

STANDARD.....	64-68
TWIN.....	69-72
HEAVY.....	73-77

VALUE ADDED SERVICES.....	78
ABOUT US.....	79
TERMS AND CONDITIONS.....	80



W A R N I N G

Products in this catalog can expose you to chemicals including lead and/or nickel, which are known to the State of California to cause cancer and birth defects.

For more information, go to: www.p65warnings.ca.gov.



Fast. Friendly. Reliable.

PCI Hydraulics+

We are a leading supplier of quality hydraulic components including high pressure ball valves, quick disconnect couplings, diagnostic products and pipe, tube and hose clamps.

Why Choose Us

Complete Interchange

We have the most complete interchange available in our quick coupling and clamp lines. Coupling sizes from 1/8" to 2" with various threads and clamp sizes from 6MM to 8" pipe.

Quality First

We only partner with the best worldwide manufacturers in the industry.

Warranty

We offer a one year warranty from date of purchase.

Engineering & Testing

We have full value added engineering and testing capabilities.

Certified

Our high pressure ball valve line carries multiple certifications including ISO-9001, Lloyd's register, DNV, TUV and DVGW.

Priority Service

Every order at PCI is a priority.

Industries We Work With

Industrial

Agricultural

Offshore

Mining

Construction

Pressure Wash

Petrochemical

Renewable Energies

And more

440.349.4020
pcihydraulics.com

FF Series

ISO-16028 Flush Face Couplings

The FF Series is a flat face dry break coupling that meets or exceeds the ISO 16028 standard.

Features

- Non-spill / Flush Face Design
- Push to connect
- Sleeve lock standard
- Anti-Blowout Nitrile
- PTFE Bonded Seal

Applications

- Hydraulic tool
- Skidsteer loaders
- Agricultural
- Overhead bucket hoists
- Chemical
- Railway
- Public utilities

Interchangeability

- ISO 16028

Materials

- Zinc Nickel plated steel
- Buna-N seals standard

Sizes

- 1/8" to 1" nominal

Temp. Rating

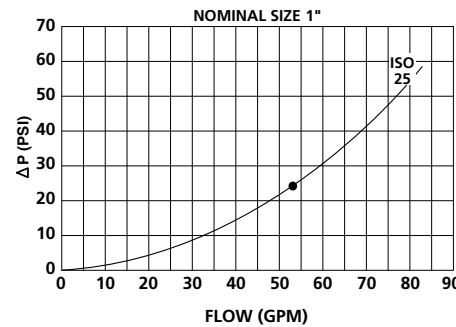
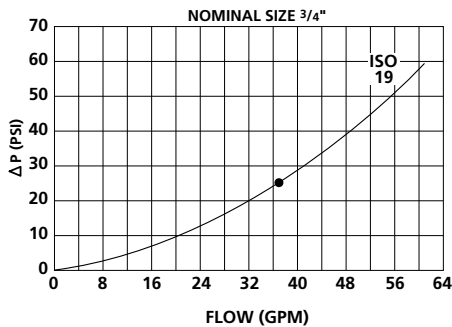
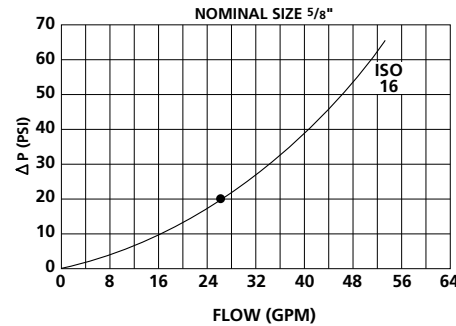
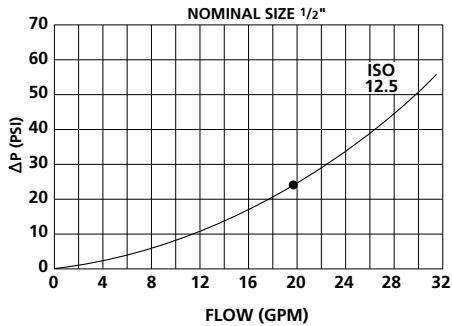
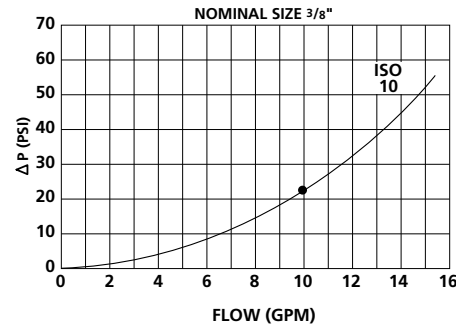
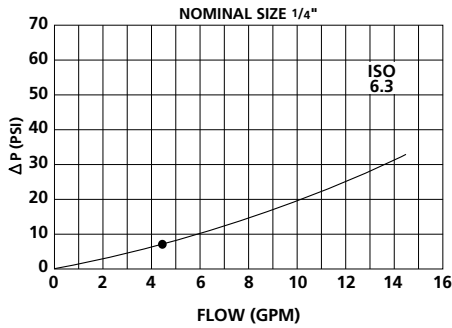
- -22°F to +230°F

Rated Pressure

- 5000 PSI in sizes 1/8" to 1/2"
- 3625 PSI max. in sizes 3/4" to 1"



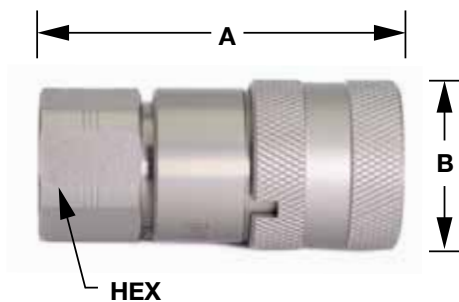
Performance:



Dimensions provided are for reference only.

FF Series

ISO-16028 Flush Face Couplings



Coupler

BODY SIZE	ISO SIZE	PART NUMBER		DIMENSIONS (IN.)		
		STEEL	THREAD SIZE	A	B	HEX
1/4"	6.3	FF04-04F-NPT	1/4" NPTF	2.29	1.10	.79
1/4"	6.3	FF04-06F-ORB	9/16"-18 ORB	2.69	1.26	.94
3/8"	10	FF06-06F-NPT	3/8" NPTF	2.69	1.26	.94
3/8"	10	FF06-08F-NPT	1/2" NPTF	2.84	1.26	1.06
3/8"	10	FF06-06F-ORB	9/16"-18 ORB	2.69	1.26	.94
3/8"	10	FF06-08F-ORB	3/4"-16 ORB	2.84	1.26	1.06
1/2"	12.5	FF08-08F-NPT	1/2" NPTF	2.95	1.50	1.26
1/2"	12.5	FF08-12F-NPT	3/4" NPTF	3.11	1.50	1.42
1/2"	12.5	FF08-08F-ORB	3/4"-16 ORB	2.95	1.50	1.26
1/2"	12.5	FF08-10F-ORB	7/8"-14 ORB	3.11	1.50	1.42
1/2"	12.5	FF08-12F-ORB	1 1/16"-12 ORB	3.11	1.50	1.42
5/8"	16	FF10-08F-NPT	1/2" NPTF	3.15	1.65	1.42
5/8"	16	FF10-12F-NPT	3/4" NPTF	3.15	1.65	1.42
5/8"	16	FF10-08F-ORB	3/4" 16 ORB	3.15	1.65	1.42
5/8"	16	FF10-10F-ORB	7/8"-14 ORB	3.15	1.65	1.42
5/8"	16	FF10-12F-ORB	1 1/16"-12 ORB	3.15	1.65	1.42
3/4"	19	FF12-12F-NPT	3/4" NPTF	3.93	1.89	1.61
3/4"	19	FF12-16F-NPT	1" NPTF	3.93	1.89	1.61
3/4"	19	FF12-12F-ORB	1 1/16"-12 ORB	3.93	1.89	1.61
3/4"	19	FF12-16F-ORB	1 5/16"-12 ORB	3.93	1.89	1.61
1"	25	FF16-16F-NPT	1" NPTF	4.39	2.20	2.17
1"	25	FF16-20F-NPT	1 1/4" NPTF	4.39	2.20	2.17
1"	25	FF16-20F-ORB	1 5/8"-12 ORB	4.39	2.20	2.17

Dust Protector For Coupler - Rubber (Red)

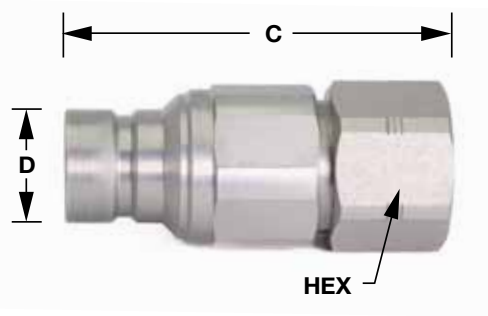
SIZE	ISO SIZE	PART NUMBER
1/4"	6.3	FF04-FC
3/8"	10	FF06-FC
1/2"	12.5	FF08-FC
5/8"	16	FF10-FC
3/4"	19	FF12-FC
1"	25	FF16-FC



Dimensions provided are for reference only.

FF Series

ISO-16028 Flush Face Couplings



Plug

BODY SIZE	ISO SIZE	PART NUMBER		DIMENSIONS (IN.)		
		STEEL	THREAD SIZE	C	D	HEX
1/4"	6.3	FF04-04M-NPT	1/4" NPTF	1.94	.63	.60
1/4"	6.3	FF04-06M-ORB	9/16"-18 ORB	1.94	.63	.60
3/8"	10	FF06-06M-NPT	3/8" NPTF	2.20	.78	.77
3/8"	10	FF06-08M-NPT	1/2" NPTF	2.20	.78	.77
3/8"	10	FF06-06M-ORB	9/16"-18 ORB	2.20	.78	.77
3/8"	10	FF06-08M-ORB	3/4"-16 ORB	2.20	.78	.77
1/2"	12.5	FF08-08M-NPT	1/2" NPTF	2.83	.96	.85
1/2"	12.5	FF08-12M-NPT	3/4" NPTF	2.99	.96	.85
1/2"	12.5	FF08-08M-ORB	3/4"-16 ORB	2.83	.96	.85
1/2"	12.5	FF08-10M-ORB	7/8"-14 ORB	2.99	.96	.85
1/2"	12.5	FF08-12M-ORB	1 1/16"-12 ORB	2.99	.96	.85
5/8"	16	FF10-08M-NPT	1/2" NPTF	2.97	1.06	0.85
5/8"	16	FF10-12M-NPT	3/4" NPTF	2.97	1.06	0.85
5/8"	16	FF10-08M-ORB	3/4"-16 ORB	2.97	1.06	0.85
5/8"	16	FF10-10M-ORB	7/8"-14 ORB	2.97	1.06	0.85
5/8"	16	FF10-12M-ORB	1 1/16"-12 ORB	2.97	1.06	0.85
3/4"	19	FF12-12M-NPT	3/4" NPTF	3.69	1.18	1.14
3/4"	19	FF12-16M-NPT	1" NPTF	3.69	1.18	1.14
3/4"	19	FF12-12M-ORB	1 1/16"-12 ORB	3.69	1.18	1.14
3/4"	19	FF12-16M-ORB	1 5/16"-12 ORB	3.69	1.18	1.14
1"	25	FF16-16M-NPT	1" NPTF	3.54	1.42	1.34
1"	25	FF16-20M-NPT	1 1/4" NPTF	3.54	1.42	1.34
1"	25	FF16-20M-ORB	1 5/8"-12 ORB	3.54	1.42	1.34

Dust Protector For Plug - Rubber (Red)

SIZE	ISO SIZE	PART NUMBER
1/4"	6.3	FF04-MC
3/8"	10	FF06-MC
1/2"	12.5	FF08-MC
5/8"	16	FF10-MC
3/4"	19	FF12-MC
1"	25	FF16-MC



Dimensions provided are for reference only.

FFS Series

ISO-16028 Flush Face Couplings – 316 Stainless Steel

Features

- Non-spill/flush face design
- Push to connect
- Sleeve lock standard
- Anti-blowout nitrile PTFE bonded seats
- FKM O-rings
- 1/4" to 3/4" body sizes, ISO sizes 6.3-19

Rated Pressure

- 1/4" 5075 PSI
- 3/8"-3/4" 3625 PSI



Coupler

BODY SIZE	ISO SIZE	PART NUMBER	THREAD SIZE	A	B	HEX
1/4"	6.3	FFS04-N14F	1/4" NPTF	2.44	1.10	1.06
3/8"	10	FFS06-N38F	3/8" NPTF	2.89	1.26	1.18
3/8"	10	FFS06-N12F	1/2" NPTF	2.89	1.26	1.18
3/8"	10	FFS06-S916F	9/16"-18 ORB	2.89	1.26	1.18
3/8"	10	FFS06-S34F	3/4"-16 ORB	2.89	1.26	1.18
1/2"	12.5	FFS08-N12F	1/2" NPTF	3.43	1.49	1.61
1/2"	12.5	FFS08-N34F	3/4" NPTF	3.43	1.49	1.61
1/2"	12.5	FFS08-S34F	3/4"-16 ORB	3.43	1.49	1.61
1/2"	12.5	FFS08-S116F	1 1/16"-12 ORB	3.43	1.49	1.61
1/2"	12.5	FFS08-S78F	7/8"-14 ORB	3.43	1.49	1.61
3/4"	19	FFS12-N34F	3/4" NPTF	3.84	1.88	1.81
3/4"	19	FFS12-N1F	1 NPTF	3.84	1.88	1.81
3/4"	19	FFS12-S1516F	1 5/16"-12 ORB	3.84	1.88	1.81

NOTE: For dust caps, refer to page 2.



Plug

BODY SIZE	ISO SIZE	PART NUMBER	THREAD SIZE	A	B	HEX
1/4"	6.3	FFS04-N14M	1/4" NPTF	2.06	.63	.87
3/8"	10	FFS06-N38M	3/8" NPTF	2.46	.77	1.18
3/8"	10	FFS06-N12M	1/2" NPTF	2.46	.77	1.18
3/8"	10	FFS06-S916M	9/16"-18 ORB	2.46	.77	1.18
3/8"	10	FFS06-S34M	3/4"-16 ORB	2.46	.77	1.18
1/2"	12.5	FFS08-N12M	1/2" NPTF	2.87	.96	1.42
1/2"	12.5	FFS08-N34M	3/4" NPTF	2.87	.96	1.42
1/2"	12.5	FFS08-S34M	3/4"-16 ORB	2.87	.96	1.42
1/2"	12.5	FFS08-S116M	1 1/16"-12 ORB	2.87	.96	1.42
1/2"	12.5	FFS08-S78M	7/8"-14 ORB	2.87	.96	1.42
3/4"	19	FFS12-N34M	3/4" NPTF	3.39	1.17	1.61
3/4"	19	FFS12-N1M	1 NPTF	3.39	1.17	1.61
3/4"	19	FFS12-S1516M	1 5/16"-12 ORB	3.39	1.17	1.61

NOTE: For dust caps, refer to page 3.

Dimensions provided are for reference only.

3FF Series

ISO-16028 Connect Under Pressure Plugs

Features

- Non-spill/flush face design
- Push to connect
- Connect under pressure up to 3,000 PSI

Interchangeability

- ISO-16028

Material

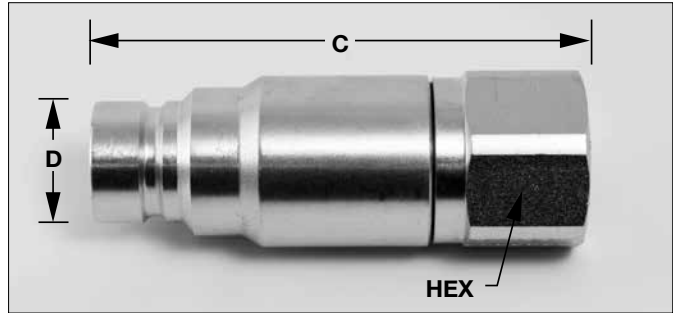
- QPQ plated steel

Size

- 1/4" to 1" Nominal

Temp Rating

- -22°F to +230°F

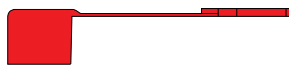


Plug

BODY SIZE	ISO SIZE	PART NUMBER		DIMENSIONS (IN.)		
		STEEL	THREAD SIZE	C	D	HEX
1/4"	6.3	3FF04-N14M	1/4" NPTF	3.02	.64	.79
3/8"	10	3FF06-N38M	3/8" NPTF	3.07	.78	.95
3/8"	10	3FF06-N12M	1/2" NPTF	3.07	.78	.95
3/8"	10	3FF06-S916M	9/16"-18 ORB	3.07	.78	.95
3/8"	10	3FF06-S34M	3/4"-16 ORB	3.07	.78	.95
1/2"	12.5	3FF08-N12M	1/2" NPTF	3.77	.97	1.26
1/2"	12.5	3FF08-N34M	3/4" NPTF	3.77	.97	1.26
1/2"	12.5	3FF08-S34M	3/4"-16 ORB	3.77	.97	1.26
1/2"	12.5	3FF08-S78M	7/8"-14 ORB	3.77	.97	1.26
1/2"	12.5	3FF08-S1116M	1 1/16"-12 ORB	3.77	.97	1.26
3/4"	19	3FF12-N34M	3/4" NPTF	4.48	1.18	1.81
3/4"	19	3FF12-S1116M	1 1/16"-12 ORB	4.48	1.18	1.81
1"	25	3FF16-N1M	1" NPTF	4.87	1.41	2.17
1"	25	3FF16-S1516M	1 5/16"-12 ORB	4.87	1.41	2.17

Dust Protector For Plug - Rubber (Red)

SIZE	ISO SIZE	PART NUMBER
1/4"	6.3	FF04-MC
3/8"	10	FF06-MC
1/2"	12.5	FF08-MC
3/4"	19	FF12-MC
1"	25	FF16-MC



Technical Information

SIZE	WORKING PRESSURE	FLOW- GPM	MAX. RESIDUAL PRESSURE	SPILLAGE
1/4"	5000 PSI	8	3000 PSI	0.010 mL
3/8"	4350 PSI	12	3000 PSI	0.010 mL
1/2"	4350 PSI	24	2750 PSI	0.010 mL
3/4"	3625 PSI	53	2200 PSI	0.120 mL
1"	3000 PSI	80	1800 PSI	0.200 mL

Dimensions provided are for reference only.

FF90 Series

ISO-16028-90° Couplings

Features

- 90° connection angle to prevent hose damage
- No need for additional fittings
- Locking sleeve standard
- Zinc nickel plating standard
- Minimal spillage and air inclusion
- ISO-16028 interchange

Rated Pressure

- #6 JIC 5000 PSI
- #12 JIC 3500 PSI



Coupler

BODY SIZE	ISO SIZE	PART NUMBER	THREAD SIZE	A	B	HEX
1/2"	12.5	FF90-S916FJ	#6 JIC	3.60	1.49	1.42
1/2"	12.5	FF90-S34FJ	#12 JIC	3.60	1.49	1.42



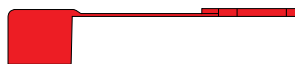
Plug

BODY SIZE	ISO SIZE	PART NUMBER	THREAD SIZE	C	D	HEX
1/2"	12.5	FF90-S916MJ	#6 JIC	3.60	.96	1.16
1/2"	12.5	FF90-S34MJ	#12 JIC	3.60	.96	1.16



Dust Protector For Coupler

SIZE	ISO SIZE	PART NUMBER
1/2"	12.5	FF08-FC



Dust Protector For Plug

SIZE	ISO SIZE	PART NUMBER
1/2"	12.5	FF08-MC



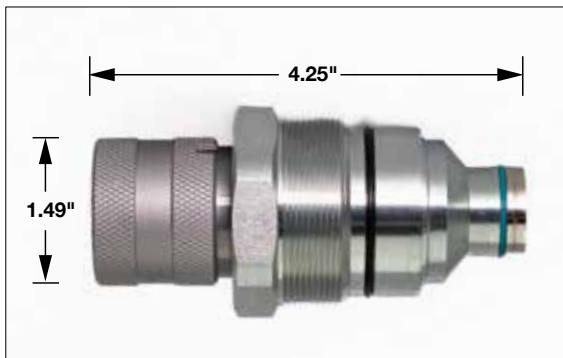
Dimensions provided are for reference only.

BC Series

Flush Face Replacement Couplings 48mm

Features

- Non-spill/flush face design
- Direct interchange to Faster, Holmbury and Summit Brands
- Compatible with ISO-16028 specifications
- Connectable under pressure
- Zinc nickel plated
- 5075 PSI rated
- Coupler half replaces Bobcat #7246802
- Plug half replaces Bobcat #7246799
- The 48mm coupler and plug are to be used on manifold blocks marked with FFH or FH only. The outside thread diameter of this coupler is 48mm (1 7/8)



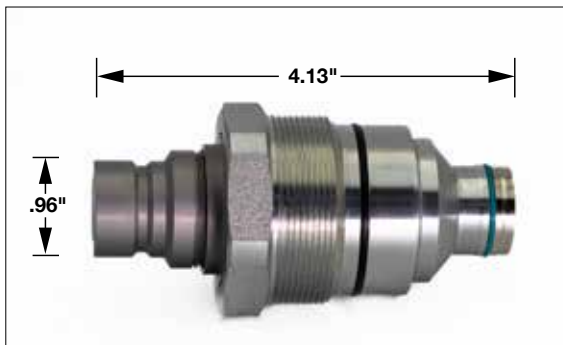
Dust Protector For Coupler

SIZE	ISO SIZE	PART NUMBER
1/2"	12.5	FF08-FC



Coupler

BODY SIZE	ISO SIZE	THREAD	PART NUMBER	MATERIAL
1/2"	12.5	48mm	PC-BC-08F-RC-1/2"	STEEL



Dust Protector For Plug

SIZE	ISO SIZE	PART NUMBER
1/2"	12.5	FF08-MC



Plug

BODY SIZE	ISO SIZE	THREAD	PART NUMBER	MATERIAL
1/2"	12.5	48mm	PC-BC-08M-RC-1/2"	STEEL

Dimensions provided are for reference only.

BC Series

Flush Face Replacement Couplings 46mm

Features

- Non-spill/flush face design
- Direct interchange to Faster, Holmbury and Summit Brands
- Compatible with ISO-16028 specifications
- Connectable under pressure
- Zinc nickel plated
- 5075 PSI rated
- Coupler half replaces Bobcat #6680018
- Plug half replaces Bobcat #6679837
- The 46mm coupler and plug are to be used on manifold blocks marked with FFI or FI only. The outside thread diameter of this coupler is 46mm (1 13/16")



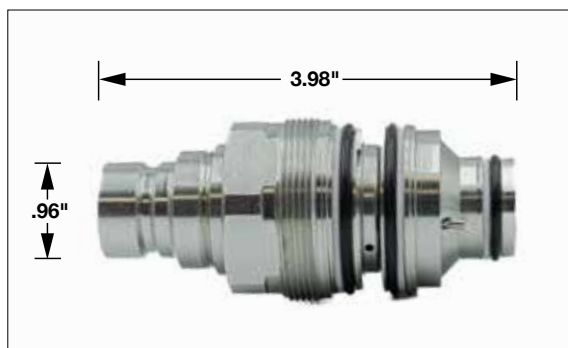
Dust Protector For Coupler

SIZE	ISO SIZE	PART NUMBER
1/2"	12.5	FF08-FC



Coupler

BODY SIZE	ISO SIZE	THREAD	PART NUMBER	MATERIAL
1/2"	12.5	46mm	PC-BC-08F-RC-1/2"-46mm	STEEL



Dust Protector For Plug

SIZE	ISO SIZE	PART NUMBER
1/2"	12.5	FF08-MC



Plug

BODY SIZE	ISO SIZE	THREAD	PART NUMBER	MATERIAL
1/2"	12.5	46mm	PC-BC-08M-RC-1/2"-46mm	STEEL

Dimensions provided are for reference only.

HNV Series

ISO-B ISO 7241-I Series B Industrial Interchange

Features

- Industry wide interchange
- High flow capacity
- Positive valve stop
- Bubble tight sealing
- Buna-N O-Rings
- PTFE backup rings

Applications

- Hydraulic
- Chemical
- Steam
- Vacuum
- Transportation
- Fluid transfer

Interchangeability

- Parker
- Aeroquip
- Safeway
- Faster
- Dixon
- DNP
- Stucchi

Materials

- Steel
- Brass
- 316 Stainless

Sizes

- 1/8" to 1"

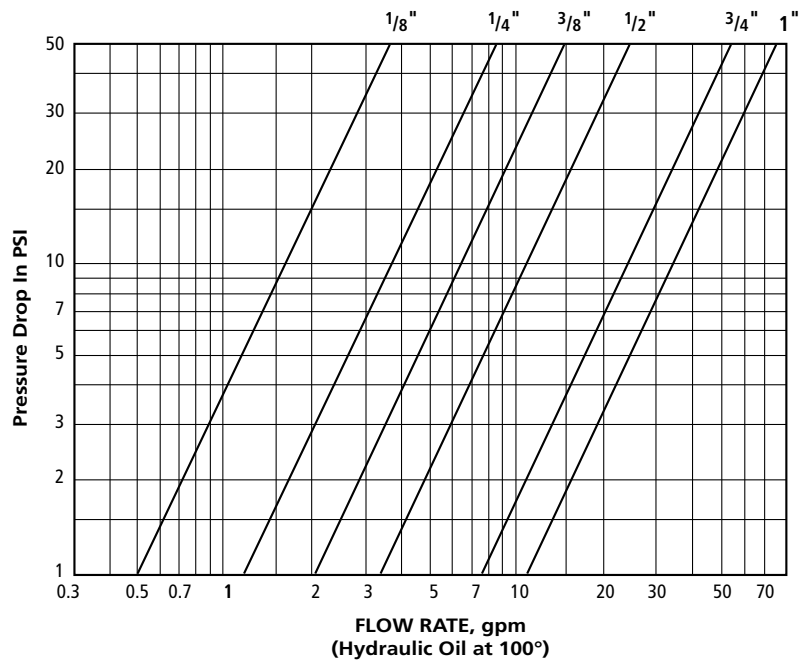
Temp. Rating

- -22°F to +230°F



Rated Pressure (PSI)

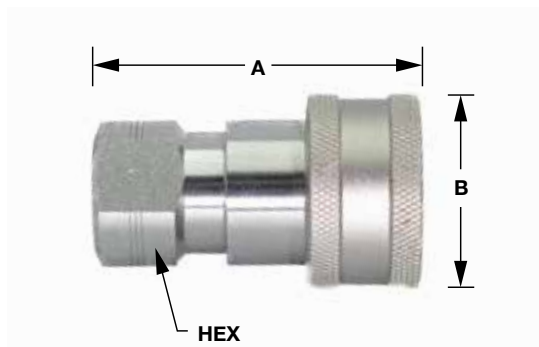
BODY SIZE	STEEL	BRASS	316 SS
1/8"	4650	4300	5000
1/4"	4100	2900	3500
3/8"	3780	2900	3000
1/2"	3780	2650	2000
3/4"	3045	2000	1500
1"	3045	2000	1500



Dimensions provided are for reference only.

HNV Series

ISO-B 1/8"-1" Sizes



Coupler (NPT)

BODY SIZE	PART NUMBER			THREAD	STEEL DIMENSIONS (IN.)		
	STEEL	BRASS	316 STAINLESS		A	B	HEX
1/8"	HNV-18-F	HNV-18-F-5	N/A	1/8" NPTF	1.93	.87	.56
1/4"	HNV-14-F	HNV-14-F-5	HNV-14-F-3	1/4" NPTF	2.26	1.06	.75
3/8"	HNV-38-F	HNV-38-F-5	HNV-38-F-3	3/8" NPTF	2.62	1.38	.94
1/2"	HNV-12-F	HNV-12-F-5	HNV-12-F-3	1/2" NPTF	2.91	1.65	1.06
3/4"	HNV-34-F	HNV-34-F-5	HNV-34-F-3	3/4" NPTF	3.58	2.05	1.42
1"	HNV-1-F	HNV-1-F-5	HNV-1-F-3	1" NPTF	4.10	2.36	1.61

Note: Contact PCI for brass and stainless dimensions.

Coupler (ORB)

BODY SIZE	PART NUMBER		DIMENSIONS (IN.)		
	STEEL	THREAD	A	B	HEX
3/8"	HNV-38-SAE-F	3/4" -16 ORB	2.62	1.38	.94
1/2"	HNV-12-SAE-F	7/8" -14 ORB	2.91	1.65	1.06
3/4"	HNV-34-SAE-F	1 1/16" -12 ORB	3.54	2.05	1.42
1"	HNV-1-SAE-F	1 5/16" -12 ORB	4.06	2.36	1.61

Dust Protector For Coupler (Red)

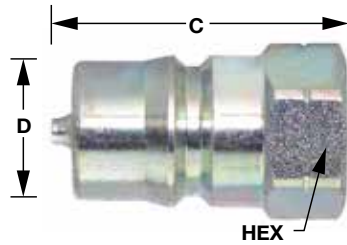
BODY SIZE	PART NUMBER	
	RUBBER	
1/8"	TMH-18	
1/4"	TMH-14	
3/8"	TMH-38	
1/2"	TMH-12	
3/4"	TMH-34	
1"	TMH-1	



Dimensions provided are for reference only.

HNV Series

ISO-B 1/8"-1" Sizes



Plug (NPT)

BODY SIZE	PART NUMBER			THREAD	STEEL DIMENSIONS (IN.)		
	STEEL	BRASS	316 STAINLESS		C	D	HEX
1/8"	HNV-18-M	HNV-18-M-5	N/A	1/8" NPTF	1.18	.43	.55
1/4"	HNV-14-M	HNV-14-M-5	HNV-14-M-3	1/4" NPTF	1.41	.56	.75
3/8"	HNV-38-M	HNV-38-M-5	HNV-38-M-3	3/8" NPTF	1.59	.76	.94
1/2"	HNV-12-M	HNV-12-M-5	HNV-12-M-3	1/2" NPTF	1.81	.92	1.06
3/4"	HNV-34-M	HNV-34-M-5	HNV-34-M-3	3/4" NPTF	2.20	1.26	1.41
1"	HNV-1-M	HNV-1-M-5	HNV-1-M-3	1" NPTF	2.48	1.48	1.61

Note: Contact PCI for brass and stainless dimensions.

Plug (ORB)

BODY SIZE	PART NUMBER		DIMENSIONS (IN.)		
	STEEL	THREAD	C	D	HEX
3/8"	HNV-38-SAE-M	3/4" -16 ORB	1.59	.76	.94
1/2"	HNV-12-SAE-M	7/8" -14 ORB	1.81	.92	1.06
3/4"	HNV-34-SAE-M	1 1/16" -12 ORB	2.20	1.26	1.41
1"	HNV-1-SAE-M	1 5/16" -12 ORB	2.48	1.48	1.61

Dust Protector For Plug (Red)

BODY SIZE	PART NUMBER	
	RUBBER	
1/8"	TFH-18	
1/4"	TFH-14	
3/8"	TFH-38	
1/2"	TFH-12	
3/4"	TFH-34	
1"	TFH-1	



Dimensions provided are for reference only.

ANV Series

ISO 7241-I Series A Industrial Interchange

Features

- Ball lock
- Manual connect/disconnect
- Poppet valving
- Slim profile
- Zinc plated steel

Applications

- Construction
- Agricultural
- General industry
- Fluid transfer

Materials

- Zinc plated steel
- Stainless Steel spring, balls and retaining ring
- Buna-N seals

Sizes

- 1/4" to 2"

Temp. Rating

- -4°F to +212°F

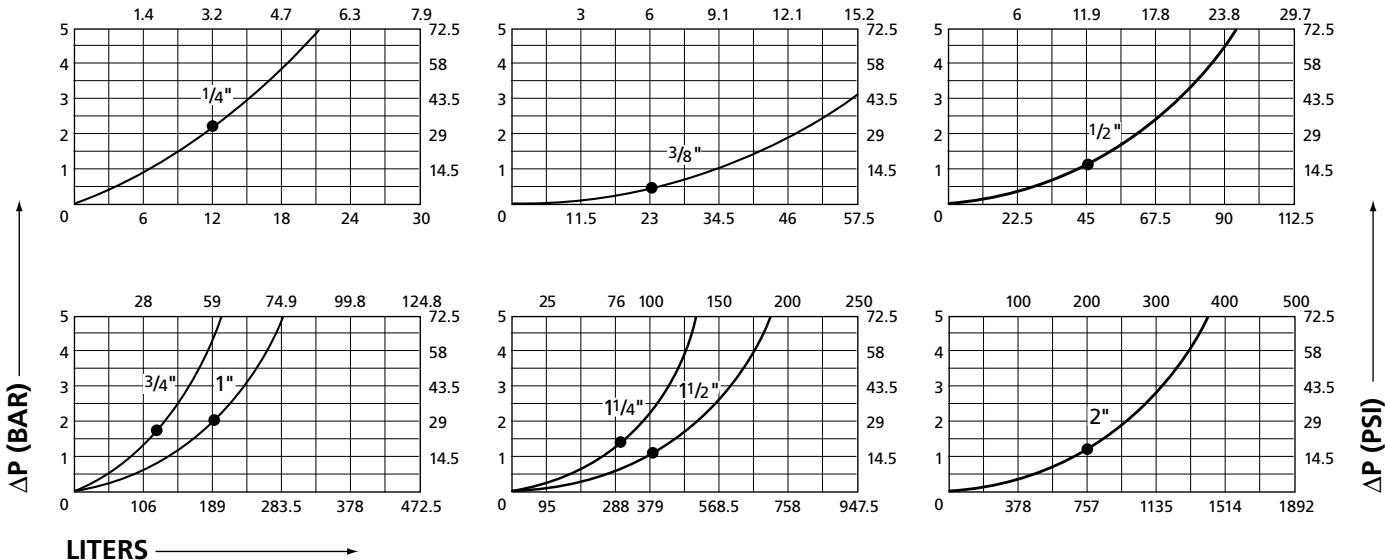


Rated Pressure

SIZE	PSI
1/4"	5000
3/8"	4000
1/2"	4000
3/4"	3000
1"	3000
1 1/4"	3625
1 1/2"	2900
2"	2755

Performance:

GPM →



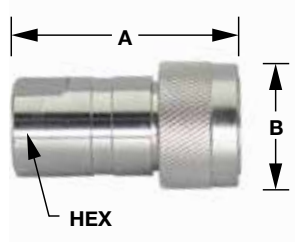
LITERS →

Dimensions provided are for reference only.

pcihydraulics.com • 440.349.4020

ANV Series

ISO-A 1/4"-2"

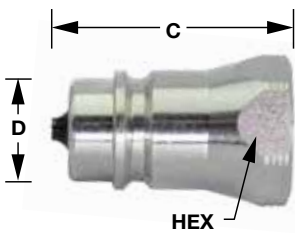


Coupler

BODY SIZE	PART NUMBER			DIMENSIONS (IN.)		
	STEEL	STAINLESS	THREAD SIZE	A	B	HEX
1/4"	ANV-14-F	ANV-14-F-3	1/4" NPTF	2.05	1.02	.75
3/8"	ANV-38-F	ANV-38-F-3	3/8" NPTF	2.30	1.26	.94
3/8"	ANV-38-SAE-F	ANV-38-SAE-F-3	9/16"-18 ORB	2.30	1.26	.94
1/2"	NV-12-F	NV-12-F-3	1/2" NPTF	2.50	1.49	1.18
1/2"	NV-12-SAE-F	NV-12-SAE-F-3	3/4"-16 ORB	2.50	1.49	1.18
1/2"	NV-12/78-SAE-F	NV-12/78-SAE-F-3	7/8"-14 ORB	2.50	1.49	1.18
3/4"	ANV-34-F	ANV-34-F-3	3/4" NPTF	3.29	1.81	1.49
3/4"	ANV-34-SAE-F	ANV-34-SAE-F-3	1 1/16"-12 ORB	3.29	1.81	1.49
1"	ANV-1-F	ANV-1-F-3	1" NPTF	3.82	2.17	1.81
1"	ANV-1-SAE-F	ANV-1-SAE-F-3	1 5/16"-12 ORB	3.82	2.17	1.81
1 1/4"	ANV-114-F	ANV-114-F-3	1 1/4" NPTF	4.61	2.76	1.97
1 1/2"	ANV-112-F	ANV-112-F-3	1 1/2" NPTF	5.24	3.33	2.36
2"	ANV-2-F	ANV-2-F-3	2" NPTF	6.50	3.94	2.95

Dust Protector For Coupler (Red)

SIZE	PART NUMBER
1/4"	TMA-14
3/8"	TMA-38
1/2"	TM-12-R
3/4"	TMA-34
1"	TMA-1
1 1/4"	TMA-114
1 1/2"	TMA-112
2"	TMA-2



Plug

BODY SIZE	PART NUMBER			DIMENSIONS (IN.)		
	STEEL	STAINLESS	THREAD SIZE	C	D	HEX
1/4"	ANV-14-M	ANV-14-M-3	1/4" NPTF	1.49	.47	.75
3/8"	ANV-38-M	ANV-38-M-3	3/8" NPTF	1.59	.68	.86
3/8"	ANV-38-SAE-M	ANV-38-SAE-M-3	9/16"-18 ORB	1.59	.68	.84
1/2"	NV-12-M	NV-12-M-3	1/2" NPTF	1.81	.81	1.06
1/2"	2NV-12-SAE-M*	Not offered	3/4"-16 ORB	1.81	.81	1.06
1/2"	NV-12/78-SAE-M	NV-12/78-SAE-M-3	7/8"-14 ORB	1.92	.81	1.03
3/4"	ANV-34-M	ANV-34-M-3	3/4" NPTF	2.20	1.14	1.41
3/4"	ANV-34-SAE-M	ANV-34-SAE-M-3	1 1/16"-12 ORB	2.20	1.14	1.43
1"	ANV-1-M	ANV-1-M-3	1" NPTF	2.48	1.35	1.61
1"	ANV-1-SAE-M	ANV-1-SAE-M-3	1 5/16"-12 ORB	2.48	1.35	1.58
1 1/4"	ANV-114-M	ANV-114-M-3	1 1/4" NPTF	2.95	1.77	1.97
1 1/2"	ANV-112-M	ANV-112-M-3	1 1/2" NPTF	3.29	2.16	2.36
2"	ANV-2-M	ANV-2-M-3	2" NPTF	4.13	2.56	2.95

Dust Protector For Plug (Red)

SIZE	PART NUMBER
1/4"	TFA-14
3/8"	TFA-38
1/2"	TF-12-R
3/4"	TFA-34
1"	TFA-1
1 1/4"	TFA-114
1 1/2"	TFA-112
2"	TFA-2



*Connectable under pressure.

Dimensions provided are for reference only.

NS/NV Series

ISO-5675 Agricultural Couplings

Features

- ISO 5675 interchange
- High concentration of locking balls
- Ball or poppet valving

Applications

- Construction
- Agricultural
- Forestry
- Oil tools
- Steel mill machinery
- Fluid transfer

Interchangeability

- Parker • Dixon
- Safeway • DNP
- Faster • Stucchi

Materials

- Steel

Sizes - Ball Type

- 1/4" to 3/4"

Sizes - Poppet Type

- 1/4" to 1"

Temp. Rating

- -22°F to +230°F



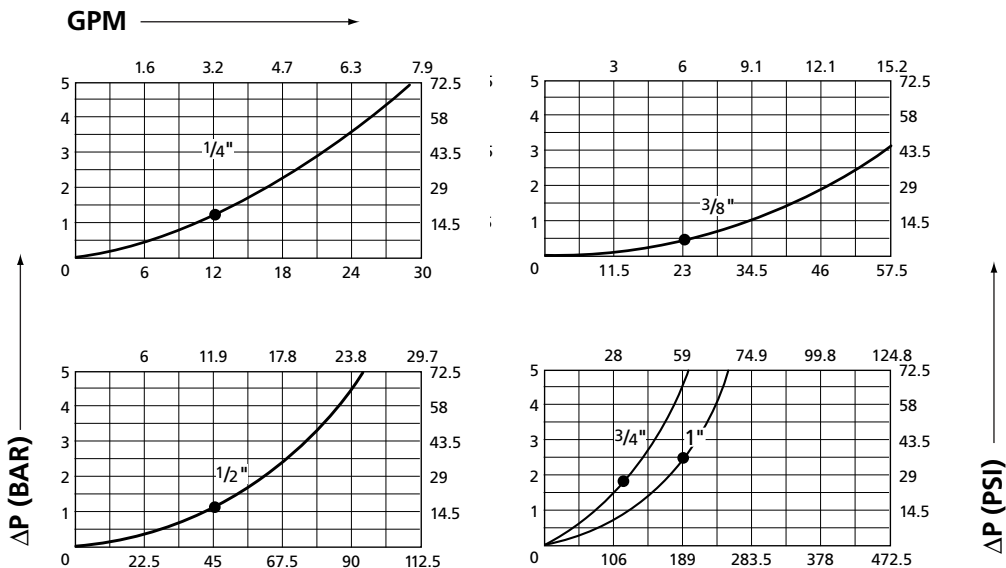
Rated Pressure (PSI) - Ball Type

SIZE	STEEL
1/4"	5000
3/8"	4350
1/2"	4350
3/4"	3625

Rated Pressure (PSI) - Poppet Type

SIZE	STEEL
1/4"	5000
3/8"	4350
1/2"	4350
1"	3200

Performance:

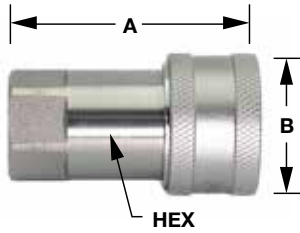


Dimensions provided are for reference only.

pcihydraulics.com • 440.349.4020

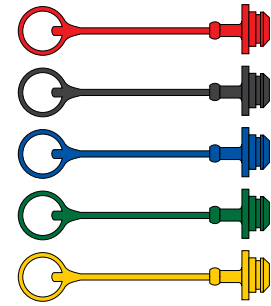
NS Series

ISO-5675 Ball Type Couplings



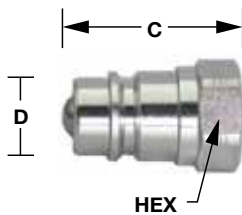
Dust Protector For Coupler

SIZE	PART NUMBER	COLOR
1/4"	TM-14-R	RED
3/8"	TM-38-R	RED
1/2"	TM-12	BLACK
1/2"	TM-12-R	RED
1/2"	TM-12-B	BLUE
1/2"	TM-12-G	GREEN
1/2"	TM-12-Y	YELLOW



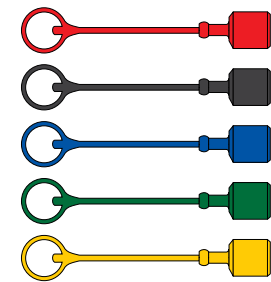
Coupler

BODY SIZE	PART NUMBER		DIMENSIONS (IN.)		
	STEEL	THREAD	A	B	HEX
1/4"	NS-14-F	1/4" NPTF	2.11	1.06	.75
3/8"	NS-38-F	3/8" NPTF	2.40	1.38	.94
1/2"	NS-12-F	1/2" NPTF	2.50	1.50	1.06
3/4"	NSP-34-F	3/4" NPTF	3.34	1.79	1.41



Dust Protector For Plug

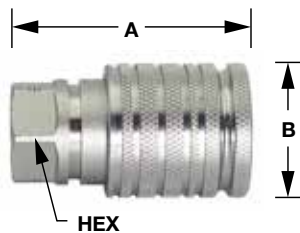
SIZE	PART NUMBER	COLOR
1/4"	TF-14-R	RED
3/8"	TF-38-R	RED
1/2"	TF-12	BLACK
1/2"	TF-12-R	RED
1/2"	TF-12-B	BLUE
1/2"	TF-12-G	GREEN
1/2"	TF-12-Y	YELLOW



Plug

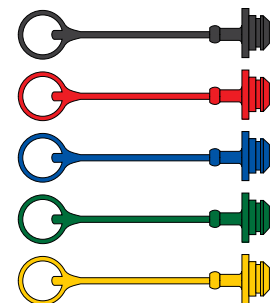
BODY SIZE	PART NUMBER		DIMENSIONS (IN.)		
	STEEL	THREAD	C	D	HEX
1/4"	NS-14-M	1/4" NPTF	1.42	.55	.75
3/8"	NS-38-M	3/8" NPTF	1.59	.75	.94
1/2"	**2NS-12-M	1/2" NPTF	1.81	.80	1.06
3/4"	NSP-34-M	3/4" NPTF	2.20	1.10	1.41

**Connectable under pressure (up to 2750 PSI).



Dust Protector For Coupler

SIZE	PART NUMBER	COLOR
1/2"	TM-12	BLACK
1/2"	TM-12-R	RED
1/2"	TM-12-B	BLUE
1/2"	TM-12-G	GREEN
1/2"	TM-12-Y	YELLOW



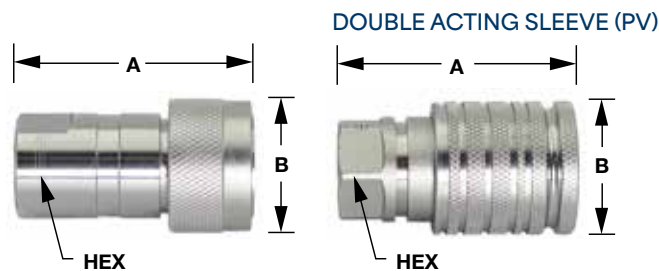
Double Acting Sleeve Coupler

BODY SIZE	PART NUMBER		DIMENSIONS (IN.)		
	STEEL	THREAD	A	B	HEX
1/2"	PS-12-F	1/2" NPTF	2.50	1.50	1.06

Dimensions provided are for reference only.

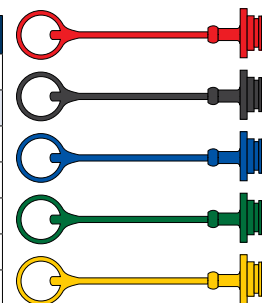
NV Series

ISO-5675 Poppet Type Couplings



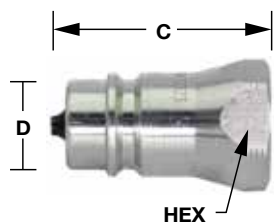
Dust Protector For Coupler

SIZE	PART NUMBER	COLOR
1/4"	TM-14-R	RED
3/8"	TM-38-R	RED
1/2"	TM-12	BLACK
1/2"	TM-12-R	RED
1/2"	TM-12-B	BLUE
1/2"	TM-12-G	GREEN
1/2"	TM-12-Y	YELLOW



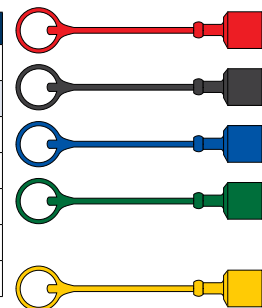
Coupler

BODY SIZE	PART NUMBER		DIMENSIONS (IN.)		
	STEEL	THREAD SIZE	A	B	HEX
1/4"	NV-14-F	1/4" NPTF	2.11	1.06	.75
3/8"	NV-38-F	3/8" NPTF	2.40	1.38	.94
1/2"	NV-12-F	1/2" NPTF	2.50	1.50	1.06
1/2"	NV-12-SAE-F	3/4" -16 ORB	2.76	1.50	1.06
1/2"	NV-12/78-SAE-F	7/8" -14 ORB	2.76	1.50	1.06
1/2"	PV-12-F	1/2" NPTF	2.50	1.50	1.06
1/2"	PV-12-SAE-F	3/4" -16 ORB	2.50	1.50	1.06
1/2"	PV-12/34-F	3/4" NPTF	2.50	1.50	1.06
1"	NV-1-F	1" NPTF	3.86	2.01	1.61



Dust Protector For Plug

SIZE	PART NUMBER	COLOR
1/4"	TF-14-R	RED
3/8"	TF-38-R	RED
1/2"	TF-12	BLACK
1/2"	TF-12-R	RED
1/2"	TF-12-B	BLUE
1/2"	TF-12-G	GREEN
1/2"	TF-12-Y	YELLOW



Plug

BODY SIZE	PART NUMBER		DIMENSIONS (IN.)		
	STEEL	THREAD SIZE	C	D	HEX
1/4"	NV-14-M	1/4" NPTF	1.42	.55	.75
3/8"	NV-38-M	3/8" NPTF	1.59	.75	.94
1/2"	NV-12-M	1/2" NPTF	1.81	.80	1.06
1/2"	*2NV-12-M	1/2" NPTF	1.81	.80	1.06
1/2"	NV-12/34-M	3/4" NPTF	1.81	.80	1.34
1/2"	*2NV-12-SAE-M	3/4" -16 ORB	1.81	1.06	1.06
1/2"	NV-12/78-SAE-M	7/8" -14 ORB	1.81	1.06	1.06
1"	NV-1-M	1" NPTF	2.88	1.23	1.61

*Connectable under pressure (up to 2750 PSI).

Dimensions provided are for reference only.

pcihydraulics.com • 440.349.4020

CRT Series

ISO-7241-A Cartridge Coupler

Features

- Retaining ring to mount the cartridge
- Internal O-Ring
- PTFE backup ring

Applications

- Agricultural
- Hydraulic Oil (Group II-2014/68/EU)

Interchangeability

- ISO 7241-A

Materials

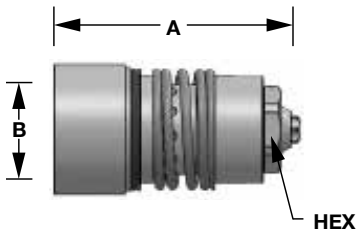
- Steel

Size

- 1/2"

Temp. Rating

- -30°F to +100°F



Coupler

BODY SIZE	PART NUMBER	PRESSURE	DIMENSIONS (IN.)		
			A	B	HEX
1/2"	CRT-08F-JD	5075 PSI	2.63	.87	.81

NOTE: Cartridge part number includes (1) coupling, (1) Spiral retraining ring, (1) O-ring & Backup ring.



Dimensions provided are for reference only.

FB Series

Wing Nut Couplings

Features

- Connect/disconnect under pressure
- Brass construction
- O-ring connected marker

Applications

- Wet line hydraulic systems
- Oil field
- Mobile drilling rigs
- Submersible pumps

Interchangeability

- Parker
- Aeroquip
- Faster
- Dixon
- DNP
- Stucchi

Materials

- Brass

Sizes

- 1/2" to 1-1/2"

Temp. Rating

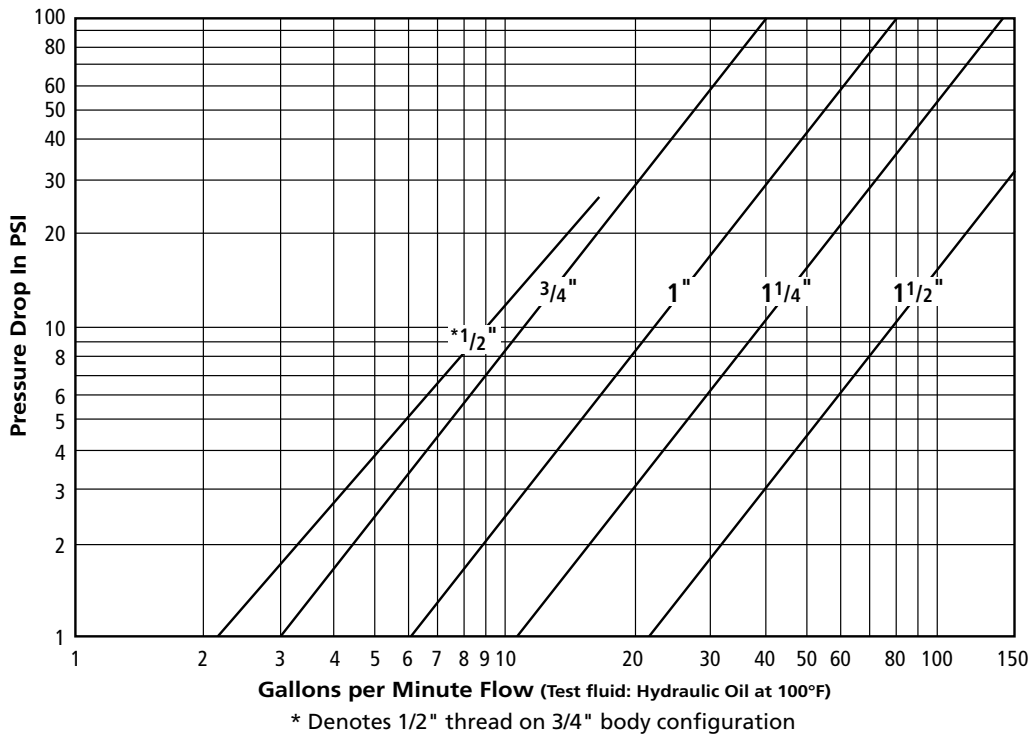
- -22°F to +230°F

Rated Pressure

- 1/2" to 1" 3000 PSI
- 1-1/4" to 1-1/2" 2750 PSI



Performance:



Dimensions provided are for reference only.

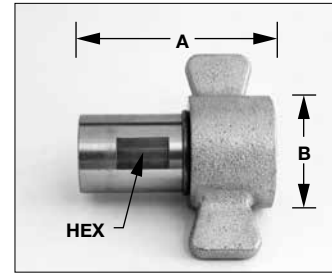
FB Series

Wing Nut Couplings

Coupler

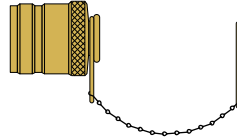
BODY SIZE	PART NUMBER		DIMENSIONS (IN.)		
	BRASS	THREAD SIZE	A	B	HEX
3/4"	FB-08-F	1/2" NPTF	3.09	1.92	1.15
3/4"	FB-12-F	3/4" NPTF	3.09	1.92	1.15
1"	FB-16-F	1" NPTF	3.78	2.25	1.44
1 1/4"	FB-20-F	1 1/4" NPTF	3.97	2.62	1.78
1 1/2"	FB-24-F	1 1/2" NPTF	4.06	2.85	2.00

Wing Style



Dust Protector For Coupler (Brass)

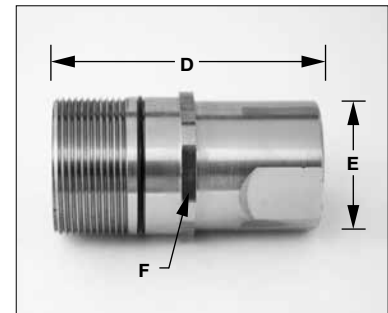
BODY SIZE	PART NUMBER
3/4"	FBM-12
1"	FBM-16
1 1/4"	FBM-20
1 1/2"	FBM-24



BRASS CAP WITH STAINLESS CHAIN

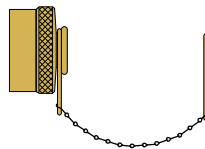
Plug

BODY SIZE	PART NUMBER		DIMENSIONS (IN.)		
	BRASS	THREAD SIZE	D	E	F
3/4"	FB-08-M	1/2" NPTF	3.10	1.31	1.62
3/4"	FB-12-M	3/4" NPTF	3.10	1.31	1.62
1"	FB-16-M	1" NPTF	3.55	1.56	1.87
1 1/4"	FB-20-M	1 1/4" NPTF	3.71	1.88	2.12
1 1/2"	FB-24-M	1 1/2" NPTF	4.06	2.00	2.51



Dust Protector For Plug (Brass)

BODY SIZE	PART NUMBER
3/4"	FBF-12
1"	FBF-16
1 1/4"	FBF-20
1 1/2"	FBF-24



BRASS CAP WITH STAINLESS CHAIN

Dimensions provided are for reference only.

VVP Series

Heavy Duty Service Couplings

Features

- Connect/disconnect under pressure
- Heavy-duty construction
- O-Ring connected marker
- Unique thread profile for smooth operation
- Ideal for systems experiencing pressure spikes

Applications

- Hydraulic
- Fluid transfer
- Heavy industrial
- Construction
- High impulse

Interchangeability

- Voswinkel HS
- DNP PVV3
- Dixon CVV

Materials

- Steel

Body Sizes

- 3/8" to 1"

Temp. Rating

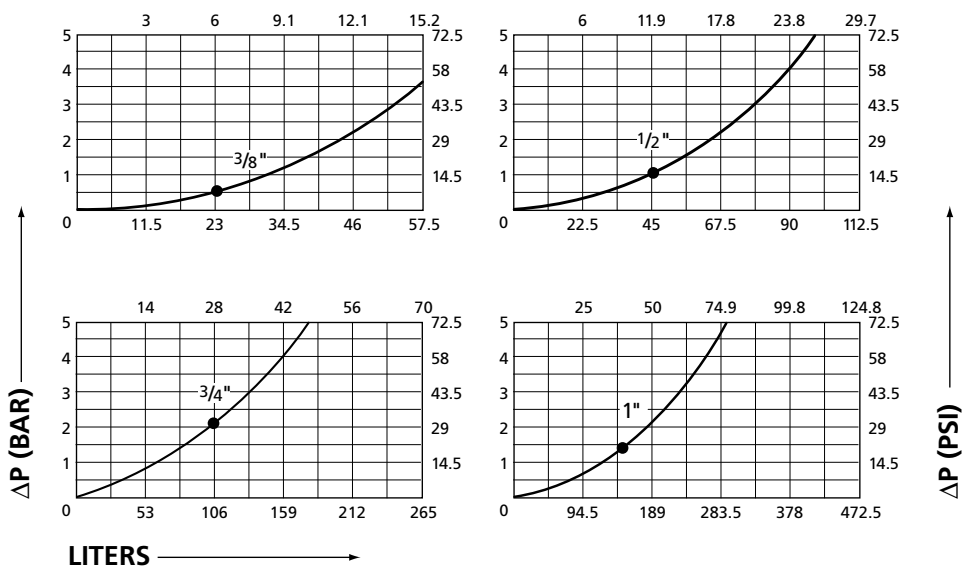
- -40°F to 240°F



Rated Pressure - PSI

SIZE	STEEL
3/8"	5075
1/2"	4700
3/4"	3675
1"	3675

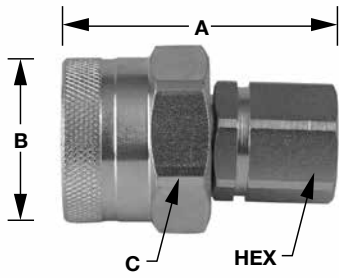
Performance:



Dimensions provided are for reference only.

VVP Series

Heavy-Duty Service Couplings



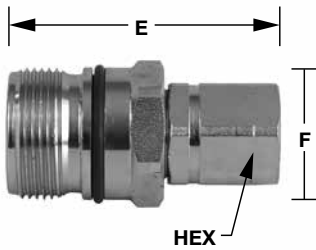
Dust Protector For Coupler (Red)

SIZE	PART NUMBER
3/8"	VVM-38-R
1/2"	VVM-12-R
3/4"	VVM-34-R
1"	VVM-1-R



Coupler

BODY SIZE	PART NUMBER		DIMENSIONS (IN.)			
	STEEL	THREAD SIZE	A	B	C	HEX
3/8"	VVP-38-38-F	3/8" NPTF	2.41	1.35	1.18	.86
3/8"	VVP-38-SAE-F	9/16" -18 ORB	2.41	1.35	1.18	.86
1/2"	VVP-12-12-F	1/2" NPTF	2.64	1.66	1.41	1.06
3/4"	VVP-34-34-F	3/4" NPTF	3.14	1.88	1.61	1.42
1"	VVP-1-1-F	1" NPTF	3.45	2.18	1.96	1.61



Dust Protector For Plug (Red)

SIZE	PART NUMBER
3/8"	VVF-38-R
1/2"	VVF-12-R
3/4"	VVF-34-R
1"	VVF-1-R



Plug

BODY SIZE	PART NUMBER		DIMENSIONS (IN.)		
	STEEL	THREAD SIZE	E	F	HEX
3/8"	VVP-38-38-M	3/8" NPTF	2.52	1.07	.87
3/8"	VVP-38-SAE-M	9/16" -18 ORB	2.52	1.07	.87
1/2"	VVP-12-12-M	1/2" NPTF	2.76	1.40	1.06
3/4"	VVP-34-34-M	3/4" NPTF	3.39	1.64	1.42
1"	VVP-1-1-M	1" NPTF	3.94	1.90	1.61

Dimensions provided are for reference only.

PVEP Series

Screw Together Couplings

Features

- Connect/disconnect under pressure up to 4350 PSI
- Improved corrosion resistance
- Two stage valve protects sealing components during pressurized connection and disconnection
- Flush face design avoids fluid loss and air inclusion

Applications

- Excavators
- Grapples
- Hammers
- Construction Equipment
- Oil Field

Interchangeability

- Stucchi VEP
- DNP PST4
- Parker FET

Materials

- Steel with QPQ Plating

Temp. Rating

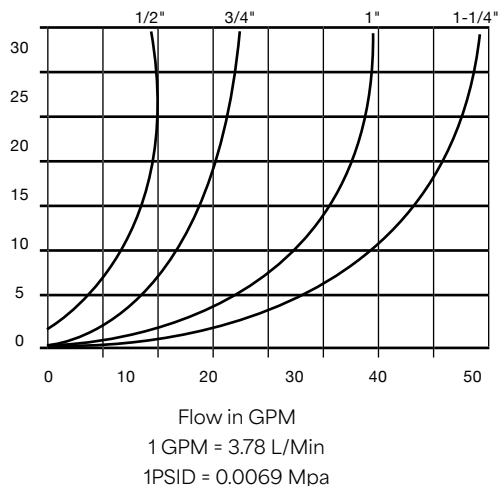
- -22°F to 230°F



Rated Pressure - PSI

SIZE	PSI
1/2"	5500
3/4"	5000
1"	5000
1 1/4"	5000

Performance:



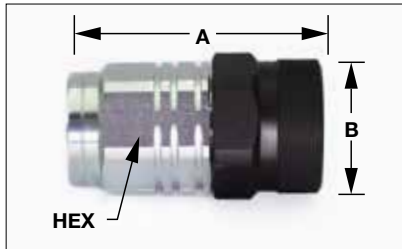
Correct Procedure To Connect And Disconnect The PVEP Series

1. Clean all mating surfaces thoroughly, then pull socket sleeve forward.
2. Align socket and plug, pushing/turning the socket sleeve towards the plug while engaging the threads. Allow threads to pull socket into the plug.
3. Initial connection should be hand threaded, followed by a wrench.
4. Continue to thread socket sleeve into plug until end of sleeve meets plug body.
5. To disconnect, use a wrench to break sleeve free and keep socket and plug aligned.

Dimensions provided are for reference only.

PVEP Series

Screw Together Couplings

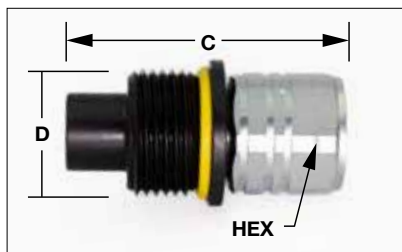


Coupler

BODY SIZE	PART NUMBER		DIMENSIONS (IN.)		
	STEEL	THREAD SIZE	A	B	HEX
1/2"	PVEP-12F-NPT-1/2"	1/2" NPTF	3.35	1.79	1.61
1/2"	PVEP-12F-SAE-3/4"-16	3/4" -16 ORB	3.35	1.79	1.61
3/4"	PVEP-34F-NPT-3/4"	3/4" NPTF	3.45	1.97	1.61
3/4"	PVEP-34F-SAE-1-1/16"	1 1/16" -12 ORB	3.45	1.97	1.61
1"	PVEP-1F-NPT-1"	1" NPTF	5.22	2.15	1.80
1"	PVEP-1F-SAE-1-5/16"	1 5/16" -12 ORB	5.22	2.15	1.80
1 1/4"	PVEP-114F-NPT-1-1/4"	1 1/4" NPTF	6.22	2.54	2.16
1 1/4"	PVEP-114F-SAE-1-5/8"	1 5/8" -12 ORB	6.22	2.54	2.16

Dust Cap For Coupler Half

SIZE	PART NUMBER
1/2"	PCV-1/2"-SC
3/4"	PCV-3/4"-SC
1"	PCV-1"-SC
1 1/4"	PCV-1-1/4"-SC



Plug

BODY SIZE	PART NUMBER		DIMENSIONS (IN.)		
	STEEL	THREAD SIZE	C	D	HEX
1/2"	PVEP-12M-NPT-1/2"	1/2" NPTF	3.36	M40 x 3	1.42
1/2"	PVEP-12M-SAE-3/4"-16	3/4" -16 ORB	3.36	M40 x 3	1.42
3/4"	PVEP-34M-NPT-3/4"	3/4" NPTF	3.82	M45 x 3	1.62
3/4"	PVEP-34M-SAE-1-1/16"	1 1/16" -12 ORB	3.82	M45 x 3	1.62
1"	PVEP-1M-NPT-1"	1" NPTF	4.29	M50 x 3	1.62
1"	PVEP-1M-SAE-1-5/16"	1 5/16" -12 ORB	4.29	M50 x 3	1.62
1 1/4"	PVEP-114M-NPT-1-1/4"	1 1/4" NPTF	5.24	M58 x 3	2.16
1 1/4"	PVEP-114M-SAE-1-5/8"	1 5/8" -12 ORB	5.24	M58 x 3	2.16

Dust Cap For Plug Half

SIZE	PART NUMBER
1/2"	PCV-1/2"-PC
3/4"	PCV-3/4"-PC
1"	PCV-1"-PC
1 1/4"	PCV-1-1/4"-PC



Dimensions provided are for reference only.

PVV Series

High Pressure Couplings

Features

- Up to 17,000 PSI working pressure
- Solid bar stock
- Connect/disconnect under pressure
- Polyurethane body seal

Applications

- Extreme pressure
- Hydraulic jacks
- High pressure test stands

Interchangeability

- Parker
- Faster
- Safeway
- Enerpac
- Dixon
- DNP
- Stucchi

Materials

- Steel
- 316 Stainless Steel

Sizes

- 1/4" - 3/8"

Temp. Rating

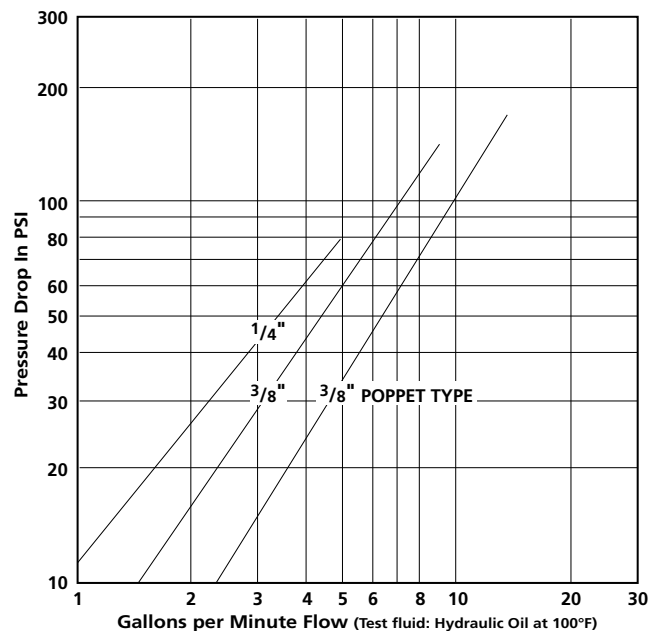
- -22°F to +230°F

Rated Pressure

- 10,000 PSI - Ball type - steel and 316 stainless steel
- 17,000 PSI - Poppet type - steel



Performance:

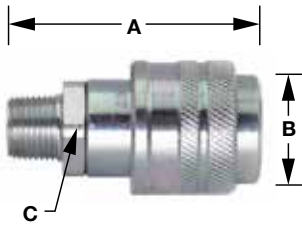


Dimensions provided are for reference only.

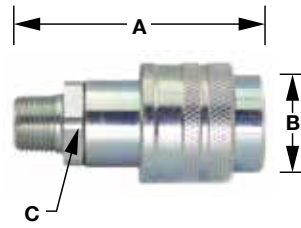
PVV Series

High Pressure Couplings

Ball Type (PVV)



Poppet Type (PVVP)

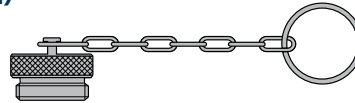


Coupler

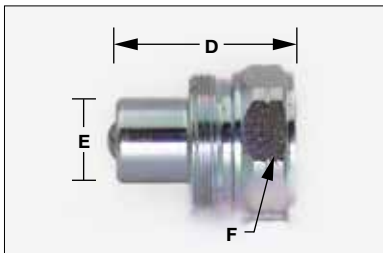
BODY SIZE	PART NUMBER		THREAD	DIMENSIONS (IN.)		
	STEEL	STAINLESS		A	B	C
1/4"	PVV-14-F		1/4" NPTF	2.09	1.18	.87
3/8"	PVV-38-F	PVV-38-F-SS	3/8" NPTF	2.54	1.38	.95
3/8"	PVVP-38-F		3/8" NPTF	2.20	1.38	1.06

Dust Protector For Coupler (Aluminum)

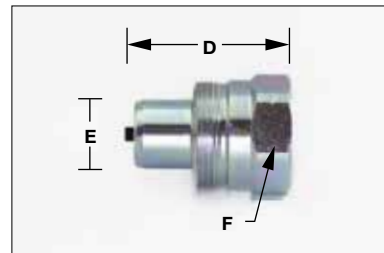
SIZE	PART NUMBER
1/4"	TMP-14
3/8"	TMP-38



Ball Type (PVV)



Poppet Type (PVVP)

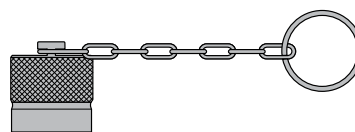


Plug

BODY SIZE	PART NUMBER		THREAD	DIMENSIONS (IN.)		
	STEEL	STAINLESS		D	E	F
1/4"	PVV-14-M		1/4" NPTF	1.54	.62	.75
3/8"	PVV-38-M	PVV-38-M-SS	3/8" NPTF	1.59	.75	1.26
3/8"	PVVP-38-M		3/8" NPTF	1.67	.75	.87

Dust Protector For Plug (Aluminum)

SIZE	PART NUMBER
1/4"	TFP-14
3/8"	TFP-38



Dimensions provided are for reference only.

PC35 Series

High Pressure Couplings

Features

- 10,000 PSI working pressure
- Safety lock standard
- Slim profile
- 6 GPM rated flow
- Buna-N O-rings
- Direct interchange to Parker TC Series and Eaton FD35 Series

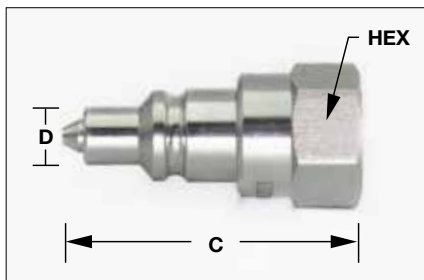
Temp. Range

- -15°F to +400°F



Coupler

BODY SIZE	THREAD	PART NUMBER	A	B	HEX
3/8"	3/8" NPT F	PC35-1001-06-06	2.46	1.27	.94



Plug

BODY SIZE	THREAD	PART NUMBER	C	D	HEX
3/8"	3/8" NPT F	PC35-1002-06-06	1.85	.44	.94

Dimensions provided are for reference only.

TNV/TNL Series

Valved and Non-Valved Couplings

Features

- High concentration of locking balls
- Heavy knurled sleeve
- Stainless steel spring, balls and retaining ring
- Buna-N O-Rings and Teflon backup rings

Applications

- General industry
- Construction
- Fluid transfer
- Transportation
- Chemical
- Oil and gas

Materials

- Steel

Sizes

- 1/4" - 2"

Temp. Rating

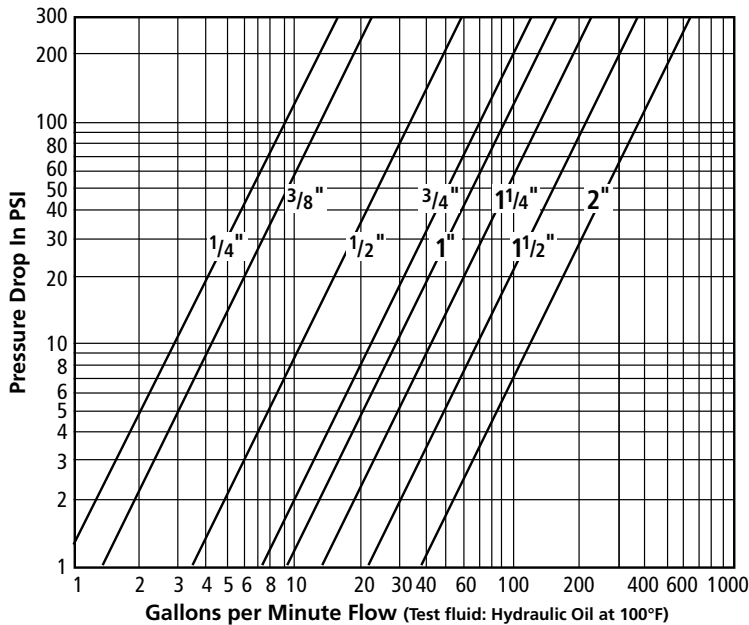
- -20°F to 215°F

Interchangeability

- Parker/Snap-Tite
- Dixon
- Faster



Performance:



Rated Pressure (PSI) Valved

SIZE	STEEL
1/4"	6500
3/8"	4500
1/2"	4000
3/4"	3500
1"	2000
1 1/4"	1750
1 1/2"	1500
2"	1500

Rated Pressure (PSI) Non-Valved

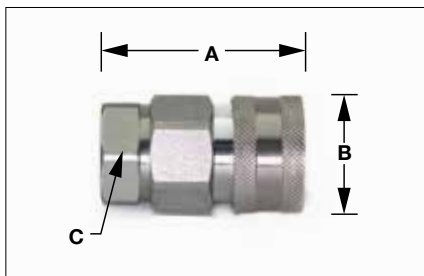
SIZE	STEEL
1/4"	11,000
3/8"	11,000
1/2"	11,000
3/4"	9000
1"	6000

Dimensions provided are for reference only.

TNV Series

Valved Couplings

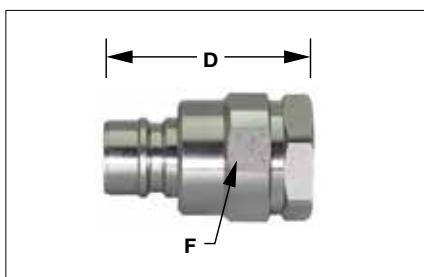
Coupler - Female Threads



Coupler

BODY SIZE	PART NUMBER		DIMENSIONS (IN.)		
	STEEL	THREAD	A	B	C
1/4"	TNV-04-F	1/4" NPTF	1.68	.99	.88
3/8"	TNV-06-F	3/8" NPTF	1.94	1.18	1.00
1/2"	TNV-08-F	1/2" NPTF	2.13	1.36	1.19
3/4"	TNV-12-F	3/4" NPTF	2.47	1.67	1.50
1"	TNV-16-F	1" NPTF	2.70	2.06	1.88
1 1/4"	TNV-20-F	1 1/4" NPTF	3.54	2.19	2.00
1 1/2"	TNV-24-F	1 1/2" NPTF	3.27	2.74	2.50
2"	TNV-32-F	2" NPTF	3.83	3.83	3.50

Plug - Female Threads



Plug

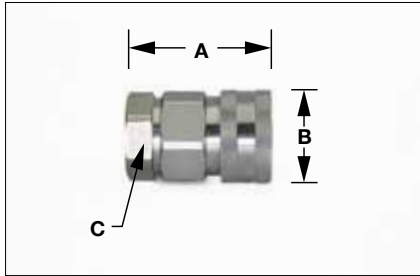
BODY SIZE	PART NUMBER		DIMENSIONS (IN.)	
	STEEL	THREAD	D	F
1/4"	TNV-04-M	1/4" NPTF	1.62	.88
3/8"	TNV-06-M	3/8" NPTF	1.87	1.00
1/2"	TNV-08-M	1/2" NPTF	1.99	1.19
3/4"	TNV-12-M	3/4" NPTF	2.31	1.50
1"	TNV-16-M	1" NPTF	2.60	1.88
1 1/4"	TNV-20-M	1 1/4" NPTF	3.41	2.00
1 1/2"	TNV-24-M	1 1/2" NPTF	3.41	2.50
2"	TNV-32-M	2" NPTF	3.72	3.50

Dimensions provided are for reference only.

TNL Series

Non-Valved Couplings

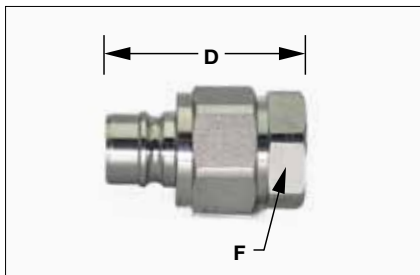
Coupler - Female Threads



Coupler

BODY SIZE	PART NUMBER		DIMENSIONS (IN.)		
	STEEL	THREAD	A	B	C
1/4"	TNL-04-F	1/4" NPTF	1.36	.99	.88
3/8"	TNL-06-F	3/8" NPTF	1.50	1.18	.88
1/2"	TNL-08-F	1/2" NPTF	1.64	1.37	1.19
3/4"	TNL-12-F	3/4" NPTF	1.96	1.67	1.50
1"	TNL-16-F	1" NPTF	2.10	1.99	1.81

Plug - Female Threads



Plug

BODY SIZE	PART NUMBER		DIMENSIONS (IN.)	
	STEEL	THREAD	D	F
1/4"	TNL-04-M	1/4" NPTF	1.27	.63
3/8"	TNL-06-M	3/8" NPTF	1.41	.81
1/2"	TNL-08-M	1/2" NPTF	1.72	1.00
3/4"	TNL-12-M	3/4" NPTF	1.86	1.19
1"	TNL-16-M	1" NPTF	2.08	1.50

Dimensions provided are for reference only.

ST Series

Non-Valved Couplings

Features

- Ball lock
- Manual operation
- Smooth bore permits free flow of liquid or gas

Applications

- General industry
- Fluid transfer
- Chemical
- Food and beverage
- Injection molding
- Marine
- Pressure wash

Interchangeability

- Parker
- Dixon
- Tomco
- Foster

Materials - Coupler

- Brass
- Stainless Steel

Materials - Plug

- Brass
- Steel
- Stainless Steel

Sizes

- 1/8" to 1"

Temp. Rating

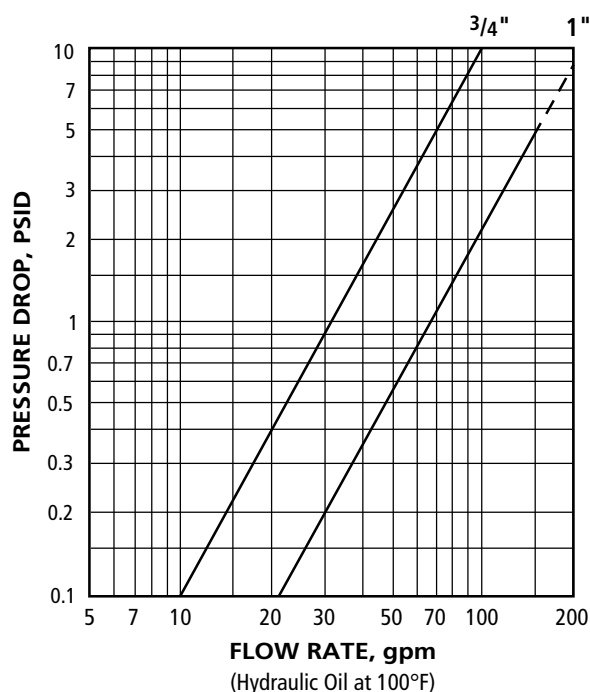
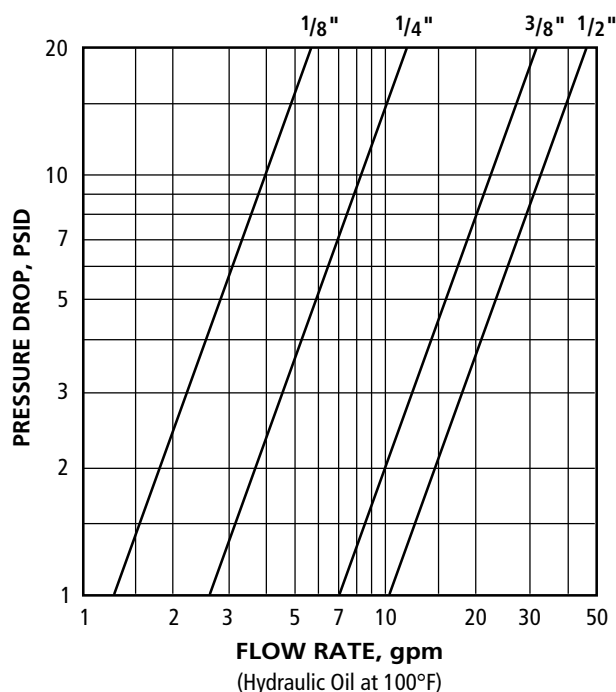
- -40°F to 250°F



Rated Pressure In PSI

BODY SIZE	BRASS COUPLER BRASS PLUG	STAINLESS COUPLER STAINLESS PLUG	BRASS COUPLER STEEL PLUG
1/8"	2800	4200	3400
1/4"	5200	7500	5500
3/8"	2800	6300	4200
1/2"	2200	3600	3500
3/4"	1700	3000	2100
1"	1300	2000	2000

Performance:

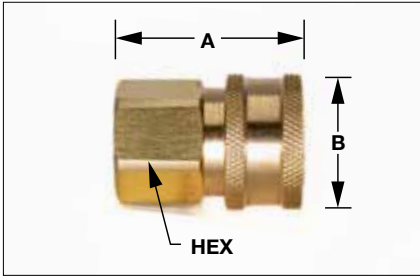


Dimensions provided are for reference only.

ST Series

Non-Valved Couplings

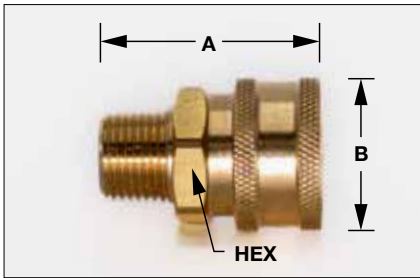
Female Threads



Coupler

BODY SIZE	PART NUMBER			DIMENSIONS (IN.)		
	BRASS	STAINLESS STEEL	THREAD SIZE	A	B	HEX
1/8"	B18FC	SS18FC	1/8" NPTF	1.06	.72	.56
1/4"	B14FC	SS14FC	1/4" NPTF	1.50	.97	.81
3/8"	B38FC	SS38FC	3/8" NPTF	1.59	1.16	1.00
1/2"	B12FC	SS12FC	1/2" NPTF	1.91	1.34	1.13
3/4"	B34FC	SS34FC	3/4" NPTF	2.06	1.72	1.44
1"	B1FC	SS1FC	1" NPTF	2.33	2.03	1.75

Male Threads



Coupler

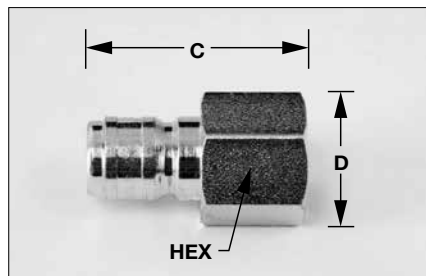
BODY SIZE	PART NUMBER			DIMENSIONS (IN.)		
	BRASS	STAINLESS STEEL	THREAD SIZE	A	B	HEX
1/8"	B18MC	SS18MC	1/8" NPTF	1.06	.72	.56
1/4"	B14MC	SS14MC	1/4" NPTF	1.72	.97	.81
3/8"	B38MC	SS38MC	3/8" NPTF	1.75	1.16	1.00
1/2"	B12MC	SS12MC	1/2" NPTF	2.03	1.34	1.13
3/4"	B34MC	SS34MC	3/4" NPTF	2.22	1.72	1.44
1"	B1MC	SS1MC	1" NPTF	2.53	2.03	1.75

Dimensions provided are for reference only.

ST Series

Non-Valved Couplings

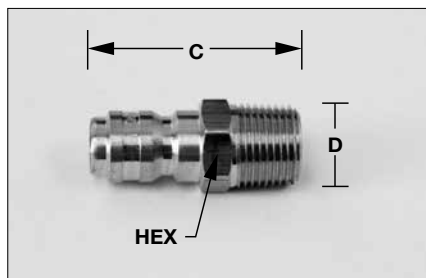
Female Threads



Plug

BODY SIZE	PART NUMBER			THREAD SIZE	DIMENSIONS (IN.)		
	BRASS	STEEL	STAINLESS STEEL		C	D	HEX
1/8"	B18FP	18FP	SS18FP	1/8" NPTF	.97	.58	.50
1/4"	B14FP	14FP	SS14FP	1/4" NPTF	1.45	.79	.69
3/8"	B38FP	38FP	SS38FP	3/8" NPTF	1.63	.94	.81
1/2"	B12FP	12FP	SS12FP	1/2" NPTF	1.92	1.15	1.00
3/4"	B34FP	34FP	SS34FP	3/4" NPTF	2.01	1.37	1.19
1"	B1FP	1FP	SS1FP	1" NPTF	2.21	1.80	1.56

Male Threads



Plug

BODY SIZE	PART NUMBER			THREAD SIZE	DIMENSIONS (IN.)		
	BRASS	STEEL	STAINLESS STEEL		C	D	HEX
1/8"	B18MP	18MP	SS18MP	1/8" NPTF	1.06	.51	.44
1/4"	B14MP	14MP	SS14MP	1/4" NPTF	1.56	.65	.56
3/8"	B38MP	38MP	SS38MP	3/8" NPTF	1.69	.79	.69
1/2"	B12MP	12MP	SS12MP	1/2" NPTF	2.01	1.01	.88
3/4"	B34MP	34MP	SS34MP	3/4" NPTF	2.20	1.23	1.06
1"	B1MP	1MP	SS1MP	1" NPTF	2.49	1.59	1.38

Dimensions provided are for reference only.

PPD Series

Diagnostic Couplings

Features

- Non-spill design
- Push to connect sleeve
- Compliant with ISO-15171-1

Applications

- Connect/disconnect pressure gauges to hydraulic systems, eliminating the need for permanent gauges

Interchangeability

- Parker
- Aeroquip
- Faster
- Dixon

Materials

- Steel

Sizes

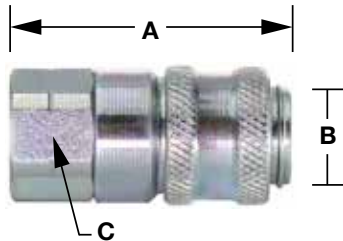
- 1/8" body size

Temp. Rating

- -22°F to 212°F

Rated Pressure

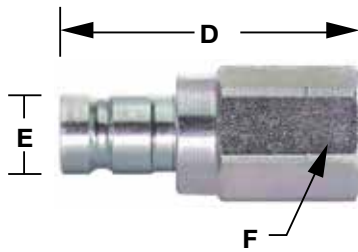
- 6000 PSI



Coupler

BODY SIZE	PART NUMBER		DIMENSIONS (IN.)		
	STEEL	THREAD SIZE	A	B	C
1/8"	PPD02-N18F	1/8" NPTF	2.13	.67	.83
1/8"	PPD02-N14F	1/4" NPTF	2.13	.67	.83
1/8"	PPD02-N14F-02	1/4" NPTF	2.28	.67	.83

NOTE: -02 at end of part number denotes male thread.



Plug

BODY SIZE	PART NUMBER		DIMENSIONS (IN.)		
	STEEL	THREAD SIZE	D	E	F
1/8"	PPD02-N18M	1/8" NPTF	1.88	.49	.67
1/8"	PPD02-N18M-02	1/8" NPTF	1.98	.49	.67
1/8"	PPD02-N14M	1/4" NPTF	1.88	.49	.67
1/8"	PPD02-N14M-02	1/4" NPTF	1.43	.49	.67
1/8"	PPD02-S716M-02	7/16" -20 ORB	1.93	.49	.67
1/8"	PPD02-S916M-02	9/16" -18 ORB	1.48	.49	.67

NOTE: -02 at end of part number denotes male thread.

Dimensions provided are for reference only.

H900 Series

Diagnostic Couplings/Micro Hoses

Features

- Leak-proof connection
- Connect/disconnect under pressure up to 5800 PSI
- Self-locking metal cap
- Able to test systems at working pressure

Applications

- Monitoring and control of pressure
- Venting
- Fluid sampling
- Remote testing

Interchangeability

- Stauff
- Parker

Materials

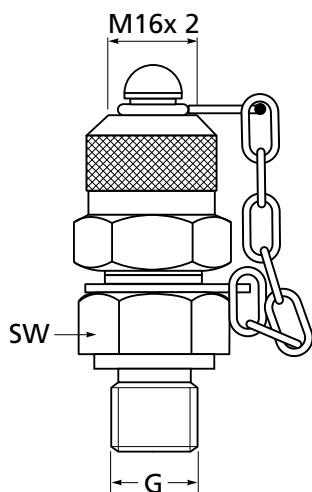
- Steel
- Stainless Steel

Temp. Rating

- -22°F to 212°F

Rated Pressure

- 9000 PSI



Test Connectors

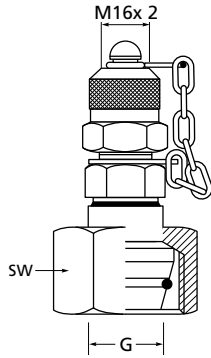
PART NUMBER	THREAD (G)	HEX (SW)	MATERIAL
H900-01	M8 x 1	.67	STEEL
H900-10	5/16" -24 ORB	.67	STEEL
H900-11	7/16" -20 ORB	.67	STEEL
H900-11-SS	7/16" -20 ORB	.67	STAINLESS
H900-12	9/16" -18 ORB	.75	STEEL
H900-12-SS	9/16" -18 ORB	.75	STAINLESS
H900-20	1/8" NPT-Male	.67	STEEL
H900-21	1/4" NPT-Male	.75	STEEL
H900-21-SS	1/4" NPT-Female	.75	STAINLESS
H900-22	3/8" NPT-Male	.75	STEEL
H900-23	1/2" NPT-Male	.95	STEEL
H900-24	1/4" NPT-Female	.95	STEEL
H900-25	M10 x 1	.75	STEEL
H900-26	M12 x 1.5	.75	STEEL
H900-27	M14 x 1.5	.95	STEEL
H900-28	M16 x 1.5	.87	STEEL
H900-30	1/8" BSP-Male	.67	STEEL
H900-31	1/4" BSP-Male	.75	STEEL
H900-31-SS	1/4" BSP-Male	.75	STAINLESS
H900-32	3/8" BSP-Male	.87	STEEL
H900-33	1/2" BSP-Male	1.07	STEEL
H900-45	7/16" -20 MJIC-BH	.75	STEEL
H900-49	7/16" -20 ORBF	.75	STEEL
H900-89	M16 x 2 Hose Union	.67	STEEL

NOTE: Additional sizes available. Contact sales@pcihydraulics.com for availability and ordering information.

Dimensions provided are for reference only.

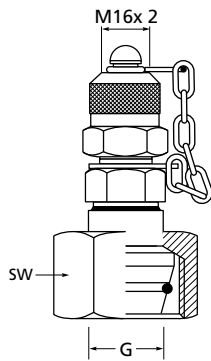
H900 Series

Diagnostic Couplings



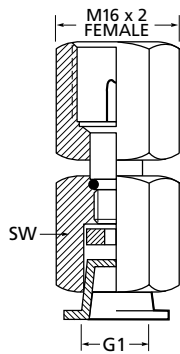
Test Connectors For Compression Ring Fittings Low Pressure Series - Steel - 4560 PSI

PART NUMBER	CONNECTION (G)	TUBE SIZE	HEX (SW)
H900-50	M12 x 1.5	6	.66
H900-51	M14 x 1.5	8	.74
H900-52	M16 x 1.5	10	.74
H900-53	M18 x 1.5	12	.87
H900-54	M22 x 1.5	15	1.06
H900-55	M26 x 1.5	18	1.26
H900-57	M36 x 2	28	1.61
H900-59	M52 x 2	42	2.36



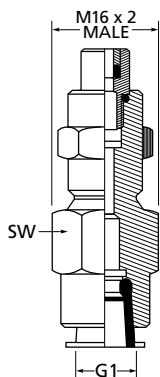
Test Connectors For Compression Ring Fittings High Pressure Series - Steel - 9135 PSI

PART NUMBER	CONNECTION (G)	TUBE SIZE	HEX (SW)
H900-60	M14 x 1.5	6	.66
H900-61	M16 x 1.5	8	.74
H900-62	M18 x 1.5	10	.87
H900-63	M20 x 1.5	12	.94
H900-65	M24 x 1.5	16	1.18



Gauge Adapter M16 X 2 Female

PART NUMBER	THREAD (G1)	HEX (SW)
H900-84	1/4" BSPP	.74
H900-85	1/2" BSPP	1.06
H900-86	1/4" NPTF	.74
H900-87	1/2" NPTF	1.06
H900-91	7/16" -20 ORB	.87



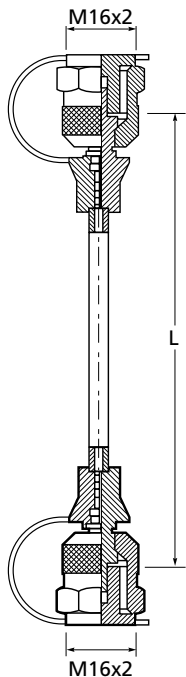
Gauge Adapter M16 X 2 Male

PART NUMBER	THREAD (G1)	HEX (SW)
H900-80	1/4" BSPP	.74
H900-81	1/2" BSPP	1.06
H900-82	1/4" NPTF	.74
H900-83	1/2" NPTF	1.06

Dimensions provided are for reference only.

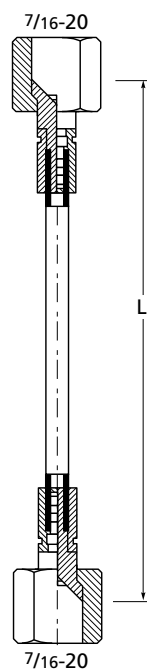
H900 Series

Diagnostic Micro Hoses



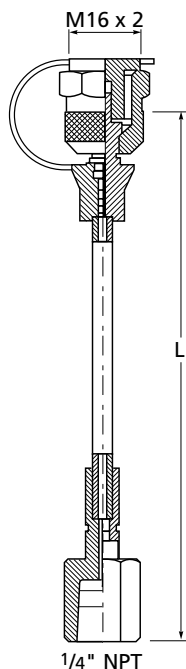
**Micro Hose M16 X 2
Female X M16 X 2 Female**

PART NUMBER	LENGTH (IN)
H900-92-08	8
H900-92-12	12
H900-92-16	16
H900-92-24	24
H900-92-30	30
H900-92-32	32
H900-92-40	40
H900-92-60	60
H900-92-78	78
H900-92-98	98
H900-92-130	130
H900-92-158	158
H900-92-197	197
H900-92-236	236



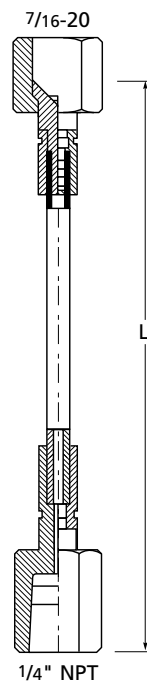
**Micro Hose 7/16-20
Female X 7/16-20 Female**

PART NUMBER	LENGTH (IN)
H900-994-08	8
H900-994-10	10
H900-994-12	12
H900-994-16	16
H900-994-20	20
H900-994-24	24
H900-994-30	30
H900-994-32	32
H900-994-40	40
H900-994-60	60
H900-994-72	72
H900-994-78	78
H900-994-98	98
H900-994-125	125
H900-994-157	157



**Micro Hose M16 X 2
Female X 1/4 Npt Female**

PART NUMBER	LENGTH (IN)
H900-993-08	8
H900-993-10	10
H900-993-12	12
H900-993-16	16
H900-993-20	20
H900-993-24	24
H900-993-30	30
H900-993-32	32
H900-993-40	40
H900-993-60	60
H900-993-78	78
H900-993-98	98
H900-993-130	130
H900-993-157	157



**Micro Hose 7/16-20
Female X 1/4 Npt Female**

PART NUMBER	LENGTH (IN)
H900-995-12	12
H900-995-18	18
H900-995-20	20
H900-995-24	24
H900-995-30	30
H900-995-40	40
H900-995-60	60
H900-995-78	78
H900-995-98	98
H900-995-125	125
H900-995-157	157

NOTE: Custom hose lengths available. Contact PCI.

Dimensions provided are for reference only.

pcihydraulics.com • 440.349.4020

PCLG Series

Liquid Filled 2 1/2" Stainless Case Pressure Gauges

Construction

- Stainless steel case
- Bronze bourdon tube
- Glycerine filled

Accuracy

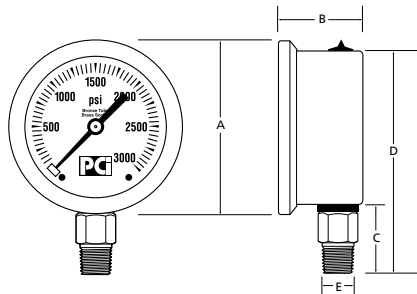
- 1.6% Full scale

Temperature

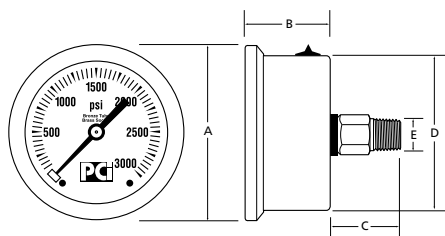
- -30°F - 160°F



PCLG Series



PSI/BAR SCALE
BOTTOM MOUNT (E)
1/4" NPT



PSI/BAR SCALE
BACK MOUNT (E)
1/4" NPT

Bottom Mount

PART NUMBER	PRESSURE RANGE	A	B	C	D
PCLG - 30 - 0V	-30HG - 0 PSI	2.69	1.20	.84	3.30
PCLG - 3030 - C	-30HG - 30 PSI	2.69	1.20	.84	3.30
PCLG - 30P	0 - 30 PSI	2.69	1.20	.84	3.30
PCLG - 60P	0 - 60 PSI	2.69	1.20	.84	3.30
PCLG - 100P	0 - 100 PSI	2.69	1.20	.84	3.30
PCLG - 160P	0 - 160 PSI	2.69	1.20	.84	3.30
PCLG - 200P	0 - 200 PSI	2.69	1.20	.84	3.30
PCLG - 300P	0 - 300 PSI	2.69	1.20	.84	3.30
PCLG - 600P	0 - 600 PSI	2.69	1.20	.84	3.30
PCLG - 1000P	0 - 1000 PSI	2.69	1.20	.84	3.30
PCLG - 2000P	0 - 2000 PSI	2.69	1.20	.84	3.30
PCLG - 3000P	0 - 3000 PSI	2.69	1.20	.84	3.30
PCLG - 5000P	0 - 5000 PSI	2.69	1.20	.84	3.30
PCLG - 6000P	0 - 6000 PSI	2.69	1.20	.84	3.30
PCLG - 10,000P	0 - 10,000 PSI	2.69	1.20	.84	3.30
PCLG - 15,000P	0 - 15,000 PSI	2.69	1.20	.84	3.30

Back Mount

PART NUMBER	PRESSURE RANGE	A	B	C	D
PCLG - 30 - 0V - B	-30HG - 0 PSI	2.68	1.18	1.14	2.44
PCLG - 3030 - C - B	-30HG - 30 PSI	2.68	1.18	1.14	2.44
PCLG - 30P - B	0 - 30 PSI	2.68	1.18	1.14	2.44
PCLG - 60P - B	0 - 60 PSI	2.68	1.18	1.14	2.44
PCLG - 100P - B	0 - 100 PSI	2.68	1.18	1.14	2.44
PCLG - 160P - B	0 - 160 PSI	2.68	1.18	1.14	2.44
PCLG - 200P - B	0 - 200 PSI	2.68	1.18	1.14	2.44
PCLG - 300P - B	0 - 300 PSI	2.68	1.18	1.14	2.44
PCLG - 600P - B	0 - 600 PSI	2.68	1.18	1.14	2.44
PCLG - 1000P - B	0 - 1000 PSI	2.68	1.18	1.14	2.44
PCLG - 2000P - B	0 - 2000 PSI	2.68	1.18	1.14	2.44
PCLG - 3000P - B	0 - 3000 PSI	2.68	1.18	1.14	2.44
PCLG - 5000P - B	0 - 5000 PSI	2.68	1.18	1.14	2.44
PCLG - 6000P - B	0 - 6000 PSI	2.68	1.18	1.14	2.44
PCLG - 10,000P - B	0 - 10,000 PSI	2.68	1.18	1.14	2.44

NOTE: Center back gauges include the panel clamp.

Accessories

PART NUMBER	DESCRIPTION
PC - 02	PANEL FLANGE

Dimensions provided are for reference only.

PCDG Series

Digital Pressure Gauges

PCDG Series

- 2 1/2" digital gauge
- LCD display
- 1/4" NPT bottom mount
- 0.25% accuracy full scale
- Temp rating 0°F to 130°F
- Polycarbonate body
- Battery powered (2 AAA)
- Auto shut off feature
- 2,000 hour battery life
- Bar, PSI, MPa, KgF/CM2
- Backlit and zero clearing
- 150% overload capacity



PART NUMBER	PRESSURE RANGE	WEIGHT	A	B	C
PCDG-1000P	0-1000 PSI	.4 LBS	3.98	2.59	1/4" NPT
PCDG-2000P	0-2000 PSI	.4 LBS	3.98	2.59	1/4" NPT
PCDG-3000P	0-3000 PSI	.4 LBS	3.98	2.59	1/4" NPT
PCDG-3500P	0-3500 PSI	.4 LBS	4.65	2.59	1/4" NPT
PCDG-5000P	0-5000 PSI	.4 LBS	4.65	2.59	1/4" NPT
PCDG-10,000P	0-10,000 PSI	.4 LBS	4.65	2.59	1/4" NPT

NOTE:

- Please see gauge kits available on page 39.
- Black rubber gauge protectors are available for all digital gauges.
- Contact PCI for details and pricing.

H900 Series Test Kits

Standard Gauge Kit Part Number HPTK-1



Kit Includes

- 2 pcs 40" microhose with M16x2 female by 1/4" NPTF ends
- 1 pc 0-1000 PSI pressure gauge 2 1/2" bottom mount
- 1 pc 0-3000 PSI pressure gauge 2 1/2" bottom mount
- 1 pc 0-5000 PSI pressure gauge 2 1/2" bottom mount
- 1 pc M16x2 x 7/16"-20 ORB test point
- 1 pc M16x2 x 9/16"-18 ORB test point
- 1 pc M16x2 x 1/8" NPT test point
- 1 pc M16x2 x 1/4" NPT test point
- 1 pc M16x2 female x 1/4" NPT female gauge connector
- 1 pc M16x2 x 1/4" BSP test point

Case Dimensions

11 1/2" x 7 1/2" x 3"
WEIGHT: 3.95 LBS

Digital Gauge Kit Part Number HPTK-3



Kit Includes

- 2 pcs 40" microhose with M16x2 female by 1/4" NPTF ends
- 1 pc 0-3000 PSI digital gauge 2 1/2" bottom mount
- 1 pc 0-5000 PSI digital gauge 2 1/2" bottom mount
- 1 pc 0-10,000 PSI digital gauge 2 1/2" bottom mount
- 1 pc M16x2 x 7/16"-20 ORB test point
- 1 pc M16x2 x 9/16"-20 ORB test point
- 1 pc M16x2 x 1/8" NPT test point
- 1 pc M16x2 x 1/4" NPT test point
- 1 pc M16x2 female x 1/4" NPT female gauge connector
- 1 pc M16x2 x 1/4" BSP test point

Case Dimensions

11 1/2" x 7 1/2" x 3"
WEIGHT: 4.05 LBS

NOTE: Longer length microhoses available. Please contact PCI Hydraulics customer service for quotation and availability.

Two-Way High Pressure Ball Valves

BKH Series

Specifications

- Block body
- Full port, sizes 1/4 - 1"
- Reduced port, sizes 1 1/4 - 1 1/2"
- NPT - ORB connections
- POM (Polyacetal) ball seats
- Buna-N O-Rings
- Zinc clear coating (RoHs compliant)
- Temp range -20°F to 215°F
- Nickel plated ball

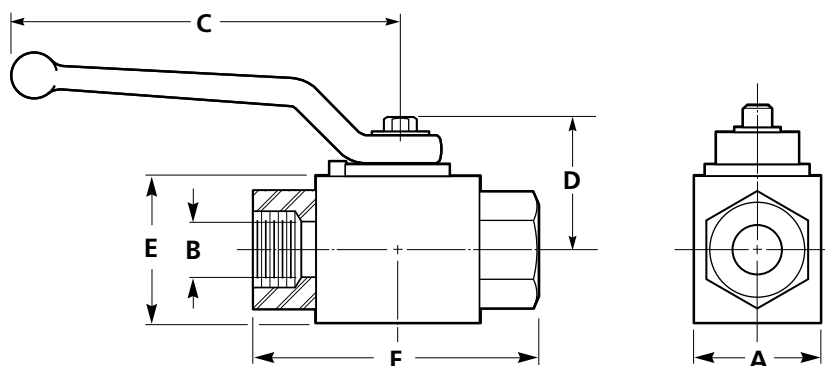
Options

- Lock kits
- Actuator packages
- Straight handles
- Red aluminum handles
- Special ball seats and seals for higher temperature and aggressive applications
- Mounting holes



BKH Series

SIZE	THREAD SIZE	PART NUMBER	WORKING PRESSURE		DIMENSIONS (IN.)					
			PSI	BAR	A	B	C	D	E	F
1/4"	1/4" NPTF	BKH-14-NPT-1123-2	7350	500	1.02	.24	4.21	1.20	1.26	2.72
1/4"	7/16" -20 ORB	BKH-14-SAE-1123-2	7350	500	1.02	.24	4.21	1.20	1.26	2.72
3/8"	3/8" NPTF	BKH-38-NPT-1123-2	7350	500	1.26	.39	4.21	1.29	1.50	2.87
3/8"	9/16" -18 ORB	BKH-38-SAE-1123-2	7350	500	1.26	.39	4.21	1.29	1.50	2.87
1/2"	1/2" NPTF	BKH-12-NPT-1123-2	7350	500	1.38	.51	4.21	1.31	1.57	3.62
1/2"	3/4" -16 ORB	BKH-12-SAE-1123-2	7350	500	1.38	.51	4.21	1.31	1.57	3.62
3/4"	3/4" NPTF	BKH-34-NPT-1123-2	6000	415	1.93	.78	6.50	1.91	2.24	3.82
3/4"	1 1/16" -12 ORB	BKH-34-SAE-1123-2	6000	415	1.93	.78	6.50	1.91	2.24	3.82
1"	1" NPTF	BKH-1-NPT-1123-2	6000	415	2.36	.94	6.50	1.95	2.36	4.45
1"	1 5/16" -12 ORB	BKH-1-SAE-1123-2	6000	415	2.36	.94	6.50	1.95	2.36	4.45
1x1 1/4"	1 1/4" NPTF	BKH-114-NPT-1123-2	6000	415	2.36	.94	6.50	1.95	2.36	5.16
1x1 1/4"	1 5/8" -12 ORB	BKH-114-SAE-1123-2	6000	415	2.36	.94	6.50	1.95	2.36	5.16
1x1 1/2"	1 1/2" NPTF	BKH-112-NPT-1123-2	6000	415	2.36	.94	6.50	1.95	2.36	5.47
1x1 1/2"	1 7/8" -12 ORB	BKH-112-SAE-1123-2	6000	415	2.36	.94	6.50	1.95	2.36	5.47



Dimensions provided are for reference only.

pcihydraulics.com • 440.349.4020

See page 53 for full safety information.



Fast. Friendly. Reliable. 40

Two-Way High Pressure Ball Valves

SKH Series

Specifications

- Forged body
- Full port
- NPT - ORB connections
- POM (Polyacetal) ball seats
- Buna-N O-Rings
- Zinc clear coating (RoHs compliant)
- Temp range -20°F to 215°F
- Nickel plated ball

Options

- Lock kits
- Actuator packages
- Straight handles
- Red aluminum handles
- Special ball seats and seals for higher temperature and aggressive applications

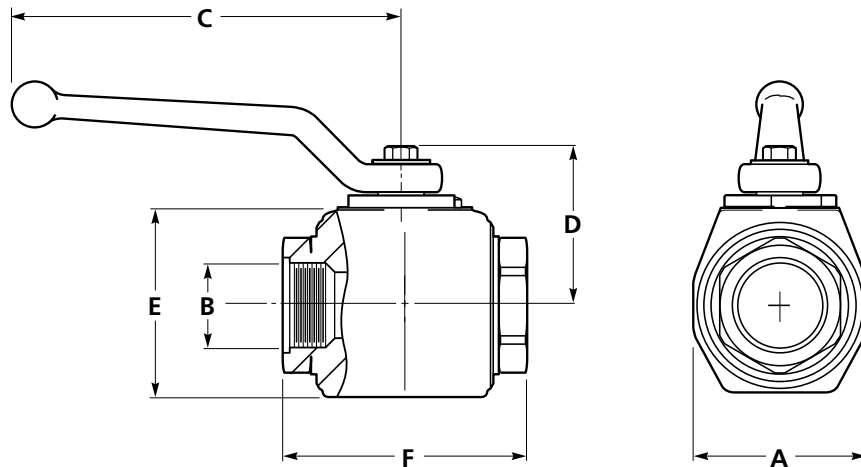


SKH Series

WORKING PRESSURE

DIMENSIONS (IN.)

SIZE	THREAD SIZE	PART NUMBER	PSI	BAR	A	B	C	D	E	F
1 1/4"	1 1/4" NPTF	SKH-114-NPT-3123-2	6000	415	2.99	1.26	8.30	2.60	3.30	4.50
1 1/4"	1 5/8" -12 ORB	SKH-114-SAE-3123-2	6000	415	2.99	1.26	8.30	2.60	3.30	4.50
1 1/2"	1 1/2" NPTF	SKH-112-NPT-3123-2	6000	415	3.27	1.50	8.30	2.73	3.62	5.30
1 1/2"	1 7/8" -12 ORB	SKH-112-SAE-3123-2	6000	415	3.27	1.50	8.30	2.73	3.62	5.30
2"	2" NPTF	SKH-2-NPT-3123-2	6000	415	3.94	1.89	8.50	3.15	4.37	5.50
2"	2 1/2" -12 ORB	SKH-2-SAE-3123-2	6000	415	3.94	1.89	8.50	3.15	4.37	5.50



HRKH Series

Ultra High-Pressure Ball Valves

Specifications

- Carbon steel
- NPT threads
- POM (Polyacetal) ball seats
- Buna-N O-Rings
- Temp range -20°F to 215°F
- Nickel plated ball

Options

- Actuator packages
- Straight handles
- Red aluminum handles
- Special ball seats and seals for higher temperature and aggressive applications



HRKH Series Steel

WORKING PRESSURE

DIMENSIONS (IN.)

SIZE	THREAD SIZE	PART NUMBER	PSI	BAR	A	B	C	D	E	F
1/4"	1/4" NPTF	HRKH-14-NPT-3923	11,760	800	2.33	.24	4.21	1.61	2.33	3.86
3/8"	3/8" NPTF	HRKH-38-NPT-3923	11,760	800	2.33	.35	4.21	1.61	2.33	3.86
1/2"	1/2" NPTF	HRKH-12-NPT-3923	11,760	800	2.33	.35	4.21	1.61	2.33	3.86
3/4"	3/4" NPTF	HRKH-34-NPT-3923	11,760	800	3.11	.51	6.49	2.20	3.11	4.49
1"	1" NPTF	HRKH-1-NPT-3923	11,760	800	3.11	.67	6.49	2.50	3.70	4.73

Specifications

- 316 Stainless steel
- NPT threads
- POM (Polyacetal) ball seats
- FKM/FPM O-Rings
- Temp range -20°F to 215°F
- Stainless ball

Options

- Actuator packages
- Stainless handles
- Red aluminum handles
- Special ball seats and seals for higher temperature and aggressive applications

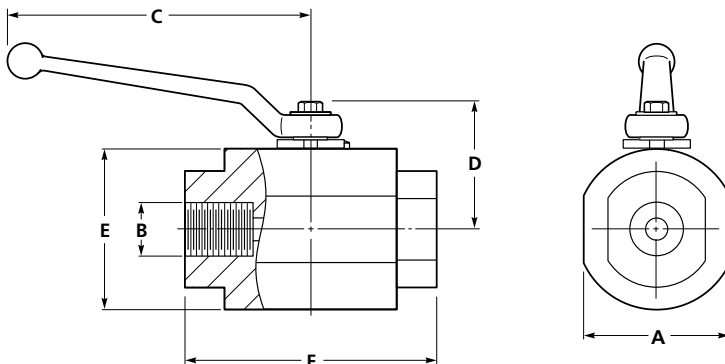


Stainless Steel

WORKING PRESSURE

DIMENSIONS (IN.)

SIZE	THREAD SIZE	PART NUMBER	PSI	BAR	A	B	C	D	E	F
1/4"	1/4" NPTF	HRKH-14-NPT-4425	10,150	700	2.33	.24	4.21	1.61	2.33	3.86
3/8"	3/8" NPTF	HRKH-38-NPT-4425	10,150	700	2.33	.35	4.21	1.61	2.33	3.86
1/2"	1/2" NPTF	HRKH-12-NPT-4425	10,150	700	2.33	.35	4.21	1.61	2.33	3.86
3/4"	3/4" NPTF	HRKH-34-NPT-4425	10,150	700	3.11	.51	6.49	2.20	3.11	4.49
1"	1" NPTF	HRKH-1-NPT-4425	10,150	700	3.11	.67	6.49	2.50	3.70	4.73



Dimensions provided are for reference only.

pci hydraulics.com • 440.349.4020

See page 53 for full safety information.



Fast. Friendly. Reliable.

RKH Series

316 Stainless Steel Ball Valves

Specifications

- All 316 Stainless steel body, stem & ball
- Full port
- NPT - ORB connections
- POM (Polyacetal) ball seats
- FKM/FPM O-Rings
- Temp range -20°F to 215°F

Options

- Lock kits
- Stainless handles
- Red aluminum handles
- Special ball seats and seals for higher temperature and aggressive applications

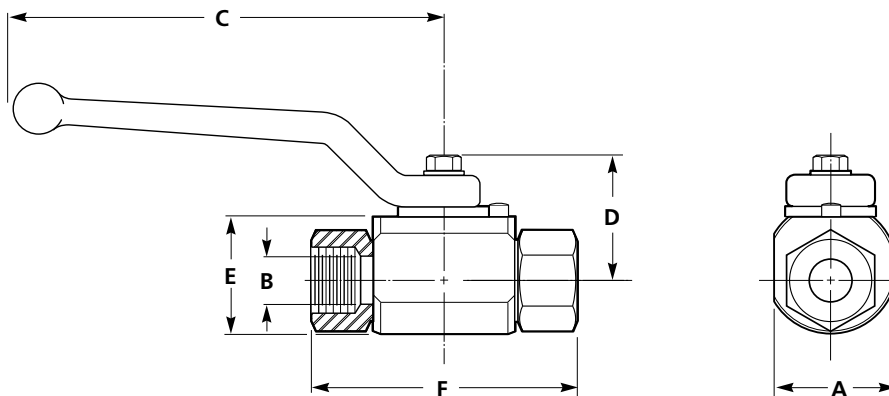


RKH Series

WORKING PRESSURE

DIMENSIONS (IN.)

SIZE	THREAD SIZE	PART NUMBER	PSI	BAR	A	B	C	D	E	F
1/4"	1/4" NPTF	RKH-14-NPT-4425	6000	415	1.49	.24	4.21	1.20	1.38	2.95
1/4"	7/16" -20 ORB	RKH-14-SAE-4425	6000	415	1.49	.24	4.21	1.20	1.38	2.95
3/8"	3/8" NPTF	RKH-38-NPT-4425	6000	415	1.77	.39	4.21	1.29	1.57	2.95
3/8"	9/16" -18 ORB	RKH-38-SAE-4425	6000	415	1.77	.39	4.21	1.29	1.57	2.95
1/2"	1/2" NPTF	RKH-12-NPT-4425	6000	415	1.89	.51	4.21	1.31	1.77	3.35
1/2"	3/4" -16 ORB	RKH-12-SAE-4425	6000	415	1.89	.51	4.21	1.31	1.77	3.35
3/4"	3/4" NPTF	RKH-34-NPT-4425	6000	415	2.56	.79	6.50	1.91	2.36	3.66
3/4"	1 1/16" -12 ORB	RKH-34-SAE-4425	6000	415	2.56	.79	6.50	1.91	2.36	3.66
1"	1" NPTF	RKH-1-NPT-4425	6000	415	2.76	.94	6.50	1.95	2.56	4.53
1"	1 5/16" -12 ORB	RKH-1-SAE-4425	6000	415	2.76	.94	6.50	1.95	2.56	4.53
1 1/4"	1 1/4" NPTF	RKH-114-NPT-4425	5880	400	3.54	1.25	8.30	2.59	3.30	6.54
1 1/4"	1 5/8" -12 ORB	RKH-114-SAE-4425	5880	400	3.54	1.25	8.30	2.59	3.30	6.54
1 1/2"	1 1/2" NPTF	RKH-112-NPT-4425	5880	400	3.26	1.49	8.30	2.73	3.62	7.14
1 1/2"	1 7/8" -12 ORB	RKH-112-SAE-4425	5880	400	3.26	1.49	8.30	2.73	3.62	7.14
2"	2" NPTF	RKH-2-NPT-4425	5880	400	3.94	1.89	8.50	3.15	4.37	9.30
2"	2 1/2" -12 ORB	RKH-2-SAE-4425	5880	400	3.94	1.89	8.50	3.15	4.37	9.30



Dimensions provided are for reference only.

See page 53 for full safety information.



Three-Way BK3 Series

Diverter Valves

Specifications

- Block body
- Full port
- NPT - ORB connections
- POM (Polyacetal) ball seats
- Buna O-Rings
- Zinc clear (Standard)
- Black oxide (As requested)
- ROHS compliant
- Temp range -20°F to 215°F
- Nickel plated ball

Options

- Lock kits
- Actuator packages
- Straight handles
- Red aluminum handles
- Special ball seats and seals for higher temperature and aggressive applications
- Mounting holes
- Stainless steel

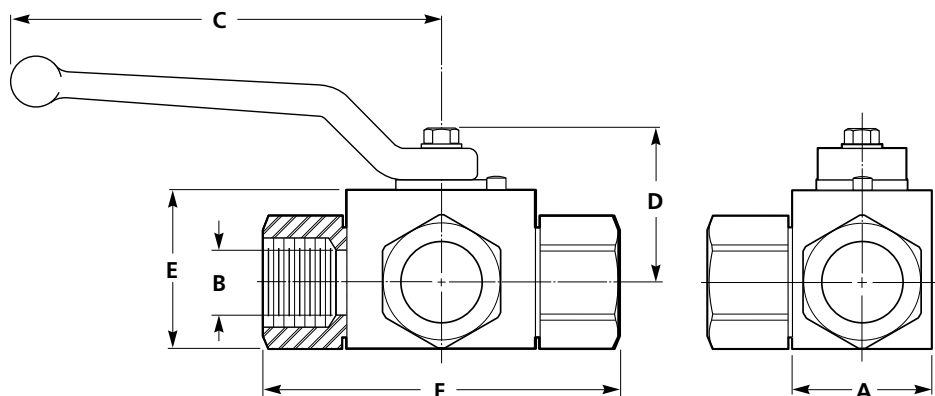


BK3 Series

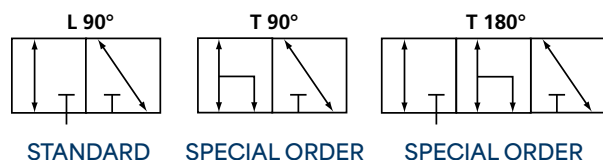
WORKING
PRESSURE

DIMENSIONS (IN.)

SIZE	THREAD SIZE	PART NUMBER	PSI	BAR	A	B	C	D	E	F
1/4"	1/4" NPTF	BK3-14-NPT-1123-2-L	5880	400	1.02	.24	4.21	1.20	1.26	2.72
1/4"	7/16" -20 ORB	BK3-14-SAE-1123-2-L	5880	400	1.02	.24	4.21	1.20	1.26	2.72
3/8"	3/8" NPTF	BK3-38-NPT-1123-2-L	5880	400	1.26	.39	4.21	1.29	1.50	2.87
3/8"	9/16" -18 ORB	BK3-38-SAE-1123-2-L	5880	400	1.26	.39	4.21	1.29	1.50	2.87
1/2"	1/2" NPTF	BK3-12-NPT-1123-2-L	5145	350	1.38	.51	4.21	1.31	1.57	3.62
1/2"	3/4" -16 ORB	BK3-12-SAE-1123-2-L	5145	350	1.38	.51	4.21	1.31	1.57	3.62
3/4"	3/4" NPTF	BK3-34-NPT-1123-2-L	5145	350	1.93	.79	6.50	1.91	2.24	3.82
3/4"	1 1/16" -12 ORB	BK3-34-SAE-1123-2-L	5145	350	1.93	.79	6.50	1.91	2.24	3.82
1"	1" NPTF	BK3-1-NPT-1123-2-L	5145	350	2.36	.94	6.50	1.95	2.36	4.45
1"	1 5/16" -12 ORB	BK3-1-SAE-1123-2-L	5145	350	2.36	.94	6.50	1.95	2.36	4.45



NOTE: The sealing function of the BK3/SK3 standard valves is only given when the pressure standing on the closed port is less than or equal to the inlet pressure of the open port.



Dimensions provided are for reference only.

pci hydraulics.com • 440.349.4020

See page 53 for full safety information.



Fast. Friendly. Reliable. 44

Three-Way SK3 Series

Diverter Valves

Specifications

- Forged body
- Full port
- NPT - ORB connections
- POM (Polyacetal) ball seats
- Zinc clear (Standard)
- Black oxide (As requested)
- FKM/FPM O-Rings
- Temp range -20°F to 215°F
- Nickel plated ball

Options

- Lock kits
- Actuator packages
- Red aluminum handles
- Special ball seats and seals for higher temperature and aggressive applications
- Stainless steel

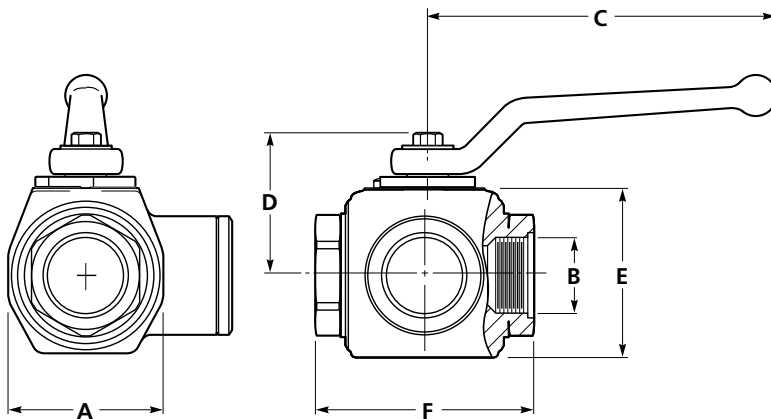


SK3 Series

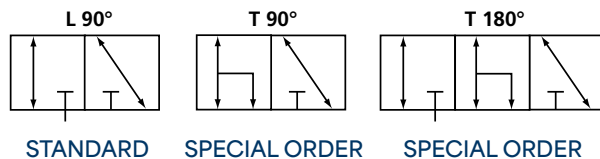
WORKING
PRESSURE

DIMENSIONS (IN.)

SIZE	THREAD SIZE	PART NUMBER	PSI	BAR	A	B	C	D	E	F
1 1/4"	1 1/4" NPTF	SK3-114-NPT-3125-L	5145	350	2.99	1.18	8.50	2.60	3.30	4.53
1 1/4"	1 5/8" -12 ORB	SK3-114-SAE-3125-L	5145	350	2.99	1.18	8.50	2.60	3.30	4.53
1 1/2"	1 1/2" NPTF	SK3-112-NPT-3125-L	5145	350	3.27	1.37	8.30	2.73	3.62	4.81
1 1/2"	1 7/8" -12 ORB	SK3-112-SAE-3125-L	5145	350	3.27	1.37	8.30	2.73	3.62	4.81
2"	2" NPTF	SK3-2-NPT-3125-L	5145	350	3.94	1.73	8.30	3.15	4.37	5.53
2"	2 1/2" -12 ORB	SK3-2-SAE-3125-L	5145	350	3.94	1.73	8.30	3.15	4.37	5.53



NOTE: The sealing function of the BK3/SK3 standard valves is only given when the pressure standing on the closed port is less than or equal to the inlet pressure of the open port.



Direct Mount PV2 and PV3 Series

2-Way/3-Way Ball Valves

Specifications

- Block body
- Full port
- Code 62
- Direct mount
- POM (Polyacetal) ball seats
- FKM/FPM O-Rings
- Temp range -20°F to 215°F
- Nickel plated ball

Options

- Locking device
- Actuator packages
- Red aluminum handles
- Special ball seats and seals for higher temperature and aggressive applications



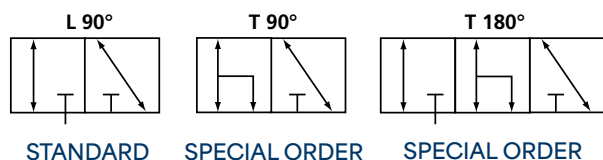
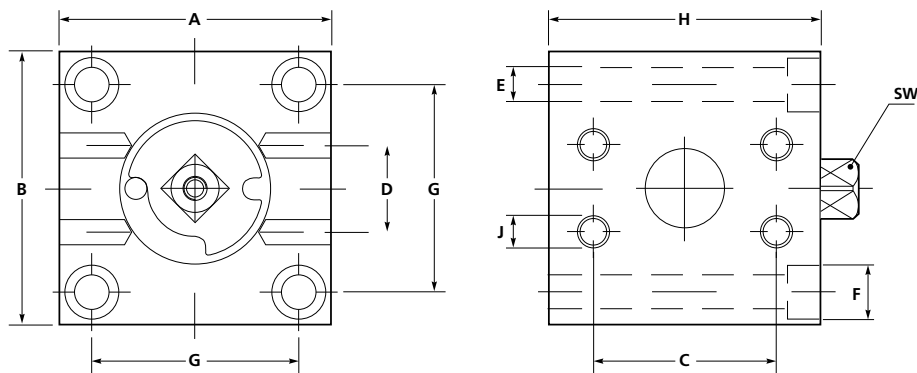
WORKING PRESSURE

DIMENSIONS (IN.)

SIZE	PART NUMBER	PSI	BAR	PORTS	A	B	C	D	E	F	G	H	J	SW
1/2"	PV2-13- <i>SAE</i> -6000-1125	5880	400	2	2.37	2.37	1.60	.72	.36	.59	1.70	2.21	M8	.36
1/2"	PV3-13- <i>SAE</i> -6000-1125	5880	400	3	2.37	2.37	1.60	.72	.36	.59	1.70	2.21	M8	.36
3/4"	PV2-20- <i>SAE</i> -6000-1125	5880	400	2	3.15	3.15	2.00	.94	.44	.71	2.37	2.84	M10	.56
3/4"	PV3-20- <i>SAE</i> -6000-1125	5880	400	3	3.15	3.15	2.00	.94	.44	.71	2.37	2.84	M10	.56
1"	PV2-25- <i>SAE</i> -6000-1125	5880	400	2	3.70	3.70	2.25	1.10	.44	.71	2.76	3.019	M12	.56
1"	PV3-25- <i>SAE</i> -6000-1125	5880	400	3	3.70	3.70	2.25	1.10	.44	.71	2.76	3.19	M12	.56
1 1/4"	PV2-32- <i>SAE</i> -6000-1125	5880	400	2	3.94	3.94	2.63	1.25	.50	.79	3.00	3.94	M14	.67
1 1/4"	PV3-32- <i>SAE</i> -6000-1125	5880	400	3	3.94	3.94	2.63	1.25	.50	.79	3.00	3.94	M14	.67
1 1/2"	PV2-40- <i>SAE</i> -6000-1125	5880	400	2	4.33	4.33	3.13	1.44	.50	.79	3.31	4.41	M16	.67
1 1/2"	PV3-40- <i>SAE</i> -6000-1125	5880	400	3	4.33	4.33	3.13	1.44	.50	.79	3.31	4.41	M16	.67
2"	PV2-50- <i>SAE</i> -6000-1125	5880	400	2	5.12	5.12	3.82	1.75	.50	.79	4.26	5.32	M20	.67
2"	PV3-50- <i>SAE</i> -6000-1125	5880	400	3	5.12	5.12	3.82	1.75	.50	.79	4.26	5.32	M20	.67

NOTE:

- The sealing function of the BK3/SK3 standard valves is only given when the pressure standing on the closed port is less than or equal to the inlet pressure of the open port.
- 1125 contains FKM/FPM O-rings
- 1123 contains NBR O-rings
- Dimensions provided are for reference only



Dimensions provided are for reference only.

pcihydraulics.com • 440.349.4020

See page 53 for full safety information.



Fast. Friendly. Reliable. 46

Code 61/62

Split Flange Ball Valves

Specifications

- Block body
- Full port
- Code 61/62 split flange ends
- POM (Polyacetal) ball seats
- FKM/FPM O-Rings
- Temp range -20°F to 215°F
- Zinc clear (Standard)
- Black oxide (As requested)
- Nickel plated ball

Options

- Lock kits
- Actuator packages
- Straight handles
- Red aluminum handles
- Special ball seats and seals for higher temperature and aggressive applications
- Stainless steel



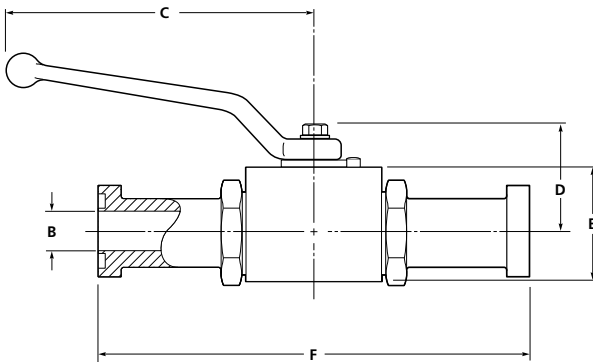
Split Flange

WORKING
PRESSURE

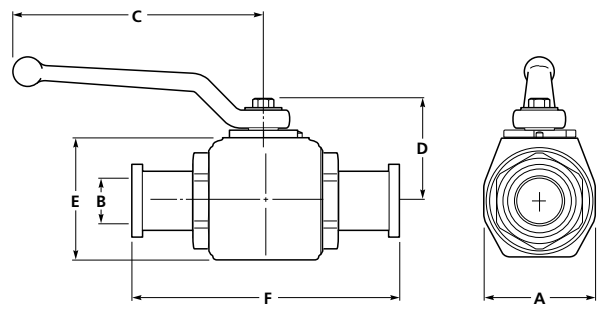
DIMENSIONS (IN.)

SIZE	PART NUMBER	CODE	FLANGE SIZE	PSI	BAR	A	B	C	D	E	F
1/2"	BKH-13-SAE-3000-S-1125	61	1/2"	4630	315	1.37	.51	4.53	1.38	1.57	5.94
1/2"	BKH-13-SAE-6000-S-1125	62	1/2"	5880	400	1.37	.51	4.53	1.38	1.57	5.94
3/4"	BKH-20-SAE-3000-S-1125	61	3/4"	4630	315	1.93	.75	7.87	1.99	2.24	6.38
3/4"	BKH-20-SAE-6000-S-1125	62	3/4"	5880	400	1.93	.75	7.87	1.99	2.24	6.38
1"	BKH-25-SAE-3000-S-1125	61	1"	4630	315	2.36	.98	7.87	2.11	2.56	7.01
1"	BKH-25-SAE-6000-S-1125	62	1"	5880	400	2.36	.98	7.87	2.11	2.56	7.80
1 1/4"	SKH-32-SAE-3000-S-3125	61	1 1/4"	3675	250	2.99	1.18	12.60	2.62	3.39	7.52
1 1/4"	SKH-32-SAE-6000-S-3125	62	1 1/4"	5880	400	2.99	1.18	12.60	2.62	3.39	8.78
1 1/2"	SKH-40-SAE-3000-S-3125	61	1 1/2"	2940	200	3.27	1.50	12.60	2.91	4.06	9.09
1 1/2"	SKH-40-SAE-6000-S-3125	62	1 1/2"	5880	400	3.27	1.50	12.60	2.91	4.06	11.06
2"	SKH-50-SAE-3000-S-3125	61	2"	2940	200	3.94	1.89	12.60	3.11	4.61	9.13
2"	SKH-50-SAE-6000-S-3125	62	2"	5880	400	3.94	1.89	12.60	3.11	4.61	12.44

NOTE: Sizes 1/2"-1" are block body, sizes 1 1/4"-2" are forged body.



Block Body Sizes 1/2"-1"



Forged Body Sizes 1 1/4"-2"



Code 61/62

Full Flange Ball Valves

Specifications

- Block body
- Full port
- Code 61/62 full flange ends
- POM (Polyacetal) ball seats
- Buna-N O-Rings
- Temp range -20°F to 215°F
- Zinc clear (Standard)
- Black oxide (As requested)
- Nickel plated ball

Options

- Lock kits
- Actuator packages
- Straight handles
- Red aluminum handles
- Special ball seats and seals for higher temperature and aggressive applications
- Stainless steel

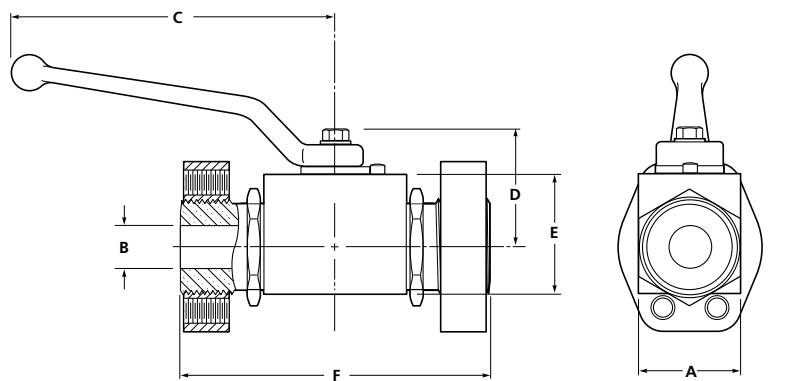


Full Flange

SIZE	PART NUMBER	CODE	FLANGE SIZE	WORKING PRESSURE		DIMENSIONS (IN.)							
				PSI	BAR	A	B	C	D	E	F	METRIC	UNC
1/2"	BKH-13-SAE-3000-F-1123	61	1/2"	4630	315	1.37	.51	4.53	1.38	1.57	4.72	M8	5/16"-18
1/2"	BKH-13-SAE-6000-F-1123	62	1/2"	5880	400	1.37	.51	4.53	1.38	1.57	4.72	M8	5/16"-18
3/4"	BKH-20-SAE-3000-F-1123	61	3/4"	4630	315	1.93	.79	6.73	1.99	2.24	5.35	M10	3/8"-16
3/4"	BKH-20-SAE-6000-F-1123	62	3/4"	5880	400	1.93	.79	6.73	1.99	2.24	5.35	M10	3/8"-16
1"	BKH-25-SAE-3000-F-1123	61	1"	4630	315	2.28	.98	6.73	2.11	2.56	5.83	M10	3/8"-16
1"	BKH-25-SAE-6000-F-1123	62	1"	5880	400	2.28	.98	6.73	2.11	2.56	5.83	M10	7/16"-14
1 1/4"	SKH-32-SAE-3000-F-3123	61	1 1/4"	3675	250	3.19	1.26	12.05	2.62	3.39	6.77	M10	7/16"-14
1 1/4"	SKH-32-SAE-6000-F-3123	62	1 1/4"	5880	400	3.19	1.26	12.05	2.62	3.39	6.77	M14	1/2"-13
1 1/2"	SKH-40-SAE-3000-F-3123	61	1 1/2"	2940	200	3.94	1.50	12.05	2.91	4.06	6.97	M12	1/2"-13
1 1/2"	SKH-40-SAE-6000-F-3123	62	1 1/2"	5880	400	3.94	1.50	12.05	2.91	4.06	6.97	M16	5/8"-11
2"	SKH-50-SAE-3000-F-3123	61	2"	2940	200	4.65	1.89	12.05	3.11	4.61	7.72	M12	3/4"-10
2"	SKH-50-SAE-6000-F-3123	62	2"	5880	400	4.65	1.89	12.05	3.11	4.61	7.72	M20	3/4"-10

NOTE:

- Valves come standard with metric bolt holes.
- Sizes 1/2"-1" are block body, sizes 1 1/4"-2" are forged body.



Shown with Flange removed

Dimensions provided are for reference only.

pcihydraulics.com • 440.349.4020

See page 53 for full safety information.



Fast. Friendly. Reliable. 48

Code 61/62

Split x Full Flange Combination Ball Valves

Specifications

- Block body
- Full port
- Code 61/62 full flange ends
- POM (Polyacetal) ball seats
- Buna-N O-Rings
- Temp range -20°F to 215°F
- Zinc clear (Standard)
- Black oxide (As requested)
- Nickel plated ball

Options

- Lock kits
- Actuator packages
- Straight handles
- Red aluminum handles
- Special ball seats and seals for higher temperature and aggressive applications
- Stainless steel



Split X Full Flange

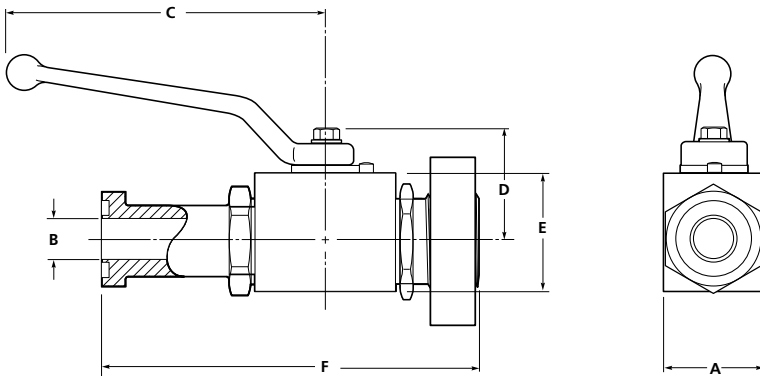
WORKING
PRESSURE

DIMENSIONS (IN.)

SIZE	PART NUMBER	CODE	FLANGE SIZE	PSI	BAR	A	B	C	D	E	F	METRIC	UNC
1/2"	BKH-13-SAE-3000-D/S-1123	61	1/2"	4630	315	1.37	.51	4.53	1.38	1.57	5.35	M8	5/16"-18
1/2"	BKH-13-SAE-6000-D/S-1123	62	1/2"	5880	400	1.37	.51	4.53	1.38	1.57	5.35	M8	5/16"-18
3/4"	BKH-20-SAE-3000-D/S-1123	61	3/4"	4630	315	1.93	.79	6.73	1.99	2.24	5.37	M10	3/8"-16
3/4"	BKH-20-SAE-6000-D/S-1123	62	3/4"	5880	400	1.93	.79	6.73	1.99	2.24	6.10	M10	3/8"-16
1"	BKH-25-SAE-3000-D/S-1123	61	1"	4630	315	2.28	.98	6.73	2.11	2.56	6.42	M10	3/8"-16
1"	BKH-25-SAE-6000-D/S-1123	62	1"	5880	400	2.28	.98	6.73	2.11	2.56	6.81	M10	7/16"-14
1 1/4"	SKH-32-SAE-3000-D/S-3123	61	1 1/4"	3675	250	3.19	1.26	12.05	2.62	4.21	7.13	M10	7/16"-14
1 1/4"	SKH-32-SAE-6000-D/S-3123	62	1 1/4"	5880	400	3.19	1.26	12.05	2.62	4.21	7.80	M14	1/2"-13
1 1/2"	SKH-40-SAE-3000-D/S-3123	61	1 1/2"	2940	200	3.94	1.50	12.05	2.91	4.88	8.03	M12	1/2"-13
1 1/2"	SKH-40-SAE-6000-D/S-3123	62	1 1/2"	5880	400	3.94	1.50	12.05	2.91	4.88	9.02	M16	5/8"-11
2"	SKH-50-SAE-3000-D/S-3123	61	2"	2940	200	4.65	1.89	12.05	3.11	5.43	8.43	M12	1/2"-13
2"	SKH-50-SAE-6000-D/S-3123	62	2"	5880	400	4.65	1.89	12.05	3.11	5.43	10.08	M20	3/4"-10

NOTE:

- Valves come standard with metric bolt holes.
- Sizes 1/2"-1" are block body, sizes 1 1/4"-2" are forged body.



FCKH Series

Direct Mount Flanged Ball Valves

Specifications

- 1"- 4" sizes
- Floating ball
- Code 61/62 connections
- POM (Polyacetal) ball seats
- Buna-N O-Rings
- Temp range -20°F to 215°F

Applications

- Hydraulic
- Gas industry
- Environmental industry
- Petrochemical

Options

- Lock kits
- Actuator packages
- Stainless steel

Direct Mount

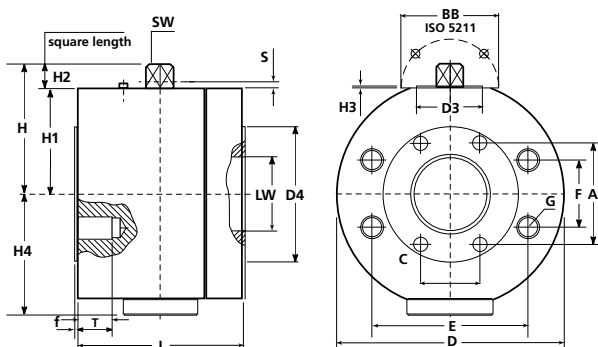


Code 61/62 Combination

WORKING
PRESSURE

DIMENSIONS (IN.)

SIZE	PART NUMBER	PSI	BAR	L	D	H	H1	H2	SW	E	F	G	METRIC
1"	FCKH-DN25-SAE-3/6-3123-1	6000	420	3.5	4.65	2.11	1.56	.55	.55	1.03	2.06		M12
1 1/4"	FCKH-DN32-SAE-3/6-3123-1	6000	420	3.90	5.71	3.35	2.68	.67	.67	1.25	2.63		M12
1 1/2"	FCKH-DN40-SAE-3/6-3123-1	6000	420	4.30	6.50	3.74	3.07	.67	.67	1.44	3.13		M16
2"	FCKH-DN50-SAE-3/6-3123-1	6000	420	4.60	7.80	4.37	3.70	.67	.67	1.75	3.81		M20

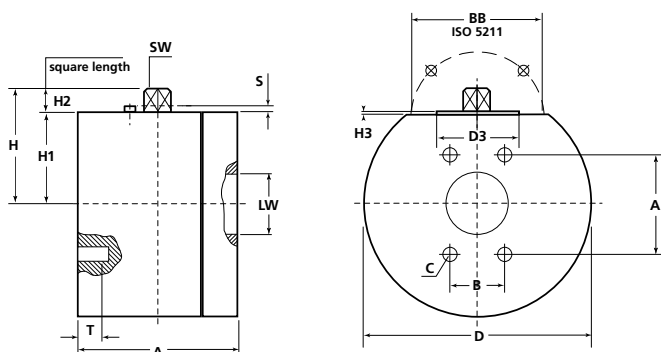


Code 61

WORKING
PRESSURE

DIMENSIONS (IN.)

SIZE	PART NUMBER	PSI	BAR	L	D	H	H1	H2	SW	A	B	G	METRIC
2 1/2"	FCKH-DN65-SAE-3000-3123-1	2500	160	5.90	7.80	4.49	3.70	.79	.63	3.50	2.00		M12
3"	FCKH-DN80-SAE-3000-3123-1	2300	160	5.90	8.58	5.10	4.07	1.02	.75	4.19	2.44		M16
4"	FCKH-DN100-SAE-3000-3123-1	500	35	6.70	10.16	5.87	4.80	1.06	.94	5.13	3.06		M16



Dimensions provided are for reference only.

pcihydraulics.com • 440.349.4020

See page 53 for full safety information.



Fast. Friendly. Reliable. 50

High Pressure Ball Valve Accessories

Lock Kits

PART NUMBER	DESCRIPTION	MATERIAL
LK-1-SS	Fits 1/4"-1/2" RKH, BKH, BK3 valves	Stainless Steel
LK-2-SS	Fits 3/4"-1" RKH valves	Stainless Steel
	Fits 3/4"-1 1/2" BKH, BK3 valves	
LK-3-SS	Fits 1 1/4"-2" RKH, SKH, SK3 valves	Stainless Steel



Handles

PART NUMBER	DESCRIPTION
SW-09-S	Steel cranked handle for 9mm (.36") stem
SW-09-A	Red aluminum handle for 9mm (.36") stem
SW-09-SS	Stainless Steel handle for 9mm (.36") stem
SW-14-S	Steel cranked handle for 14mm (.56") stem
SW-14-A	Red aluminum handle for 14mm (.56") stem
SW-14-SS	Stainless Steel handle for 14mm (.56") stem
SW-17-S	Steel cranked handle for 17mm (.67") stem
SW-17-A	Red aluminum handle for 17mm (.67") stem

NOTE: Handles come with screws.



Seal Kits

PART NUMBER	DESCRIPTION
BKH-14-KIT-1123	Seal kit Polyacetal/Buna
BKH-14-KIT-1125	Seal kit Polyacetal/FKM/FPM
BKH-38-KIT-1123	Seal kit Polyacetal/Buna
BKH-38-KIT-1125	Seal kit Polyacetal/FKM/FPM
BKH-12-KIT-1123	Seal kit Polyacetal/Buna
BKH-12-KIT-1125	Seal kit Polyacetal/FKM/FPM
BKH-34-KIT-1123	Seal kit Polyacetal/Buna
BKH-34-KIT-1125	Seal kit Polyacetal/FKM/FPM
BKH-1-KIT-1123	Seal kit Polyacetal/Buna
BKH-1-KIT-1125	Seal kit Polyacetal/FKM/FPM
SKH-114-KIT-3123	Seal kit Polyacetal/Buna
SKH-114-KIT-3125	Seal kit Polyacetal/FKM/FPM
SKH-112-KIT-3123	Seal kit Polyacetal/Buna
SKH-112-KIT-3125	Seal kit Polyacetal/FKM/FPM
SKH-2-KIT-3123	Seal kit Polyacetal/Buna
SKH-2-KIT-3125	Seal kit Polyacetal/FKM/FPM

NOTE: Other seat and seal kits available. Contact PCI for details.



High Pressure Ball Valves

with Actuators and Limit Switches

We offer a wide range of Ball Valves with actuators and limit switches. Contact us today with your requirements.



Please use the following checklist when requesting a quote:

- Type of actuator (electric, hydraulic or pneumatic)?
- Operation (double acting or spring return)?
- Media? Needs to be specific.
- Maximum system pressure?
- Temperature?
- Environmental (is weatherproofing required)?
- Send all inquiries to sales@pcihydraulics.com

Dimensions provided are for reference only.

pcihydraulics.com • 440.349.4020

See page 53 for full safety information.



Fast. Friendly. Reliable.

High Pressure Ball Valves

Quality Information/Warnings

All high pressure ball valves on pages 41 through 55 are manufactured in Germany by Pister® Kugelhähne GmbH.

Pister strives to demonstrate the high quality and reliability of its products. The safety standard is demonstrated through the BAM-Seal, DVGW approval and Vds production and automobile registration. Pister is a certified ISO 9001-2000 company.

A quality management system ensures that the organizational, commercial and technical operations that effect the design quality of our products are planned, controlled and monitored, and that contractually agreed requirements will be met.

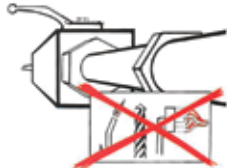
Quality Certification



Secure adaptor during installation.



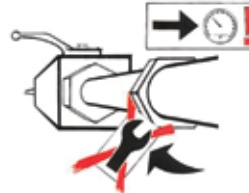
No welding, drilling, etc.



Don't operate a ball valve with a tool or an extension.



Don't remove under pressure.



Don't dismantle.



WARNING

Failure or improper selection or improper use of any of the products and/or systems found in this catalog can cause death, personal injury and/or property damage.

This catalog and other information from PISTER-Kugelhähne GmbH provides product options for further investigation by users having technical expertise. It is important that you analyze all aspects of your application and review the information concerning the product in the current product catalog. Due to the variety of operating conditions and applications for these products, the user, through its own analysis and testing, is solely responsible for making the final selection of the products and assuring that all performance, safety and warning requirements of the application are met. The products described herein, including without limitation, product features, specifications, designs, availability and pricing, are subject to change by PISTER-Kugelhähne GmbH at any time without notice.

PW5000 Series

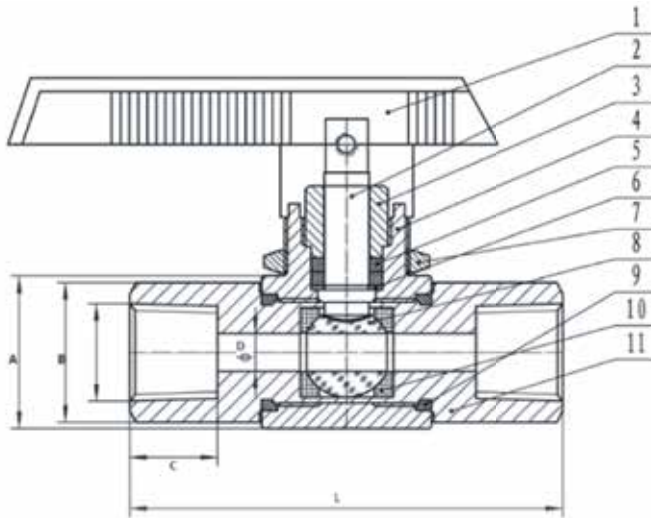
Pressure Wash Valves

Specifications

- 5500 PSI max working pressure
- Wedge handle for easy operation
- Quick water shut off for easy changing of wash guns
- Bulkhead mounting nut integrated design
- 304 stainless steel body, ball and stem
- 3/8" and 1/2" body and NPTF thread sizes
- 212°F max media temperature

Flow Performance

- 5 GPM max rated in 3/8"
- 10 GPM max rated in 1/2"



NUMBER	PARTS	MATERIAL
1	HANDLE	THERMOPLASTIC-BLK
2S	STEM	SS304
3P	PRESS CAP	SS304
4	BALL	SS304
5	Packing	PTFE
6	GASKET	SS304
7	NUT	SS304
8	BALL	SS304
9	O-RING	VITON
10	SEAT	CF
11	CONNECTOR	SS304

PART NUMBER	SIZE	THREAD	WEIGHT	A	B	C	D	L
PW5000-3/8NPTF	3/8"	3/8" NPT	.70 lbs	1.02	.87	.59	.31	3.07
PW5000-1/2NPTF	1/2"	1/2" NPT	1.10 lbs	1.1811	1.063	.75	.47	3.23

Dimensions provided are for reference only.

pcihydraulics.com • 440.349.4020

Fast. Friendly. Reliable. 54

MPV Series

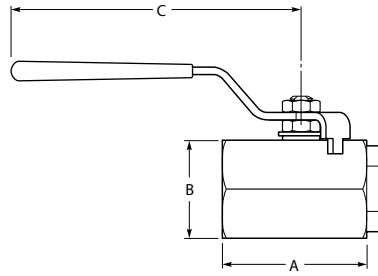
Medium Pressure Ball Valves

Specifications

- Steel body from barstock
- Carbon/Graphite filled PTFE seats and seals
- Full port

Temp. Rating

- -20°F to 425°F



MPV Series

SIZE	PART NUMBER	THREAD SIZE	WORKING PRESSURE		DIMENSIONS (IN.)		
			PSI	BAR	A	B	C
* 1/4"	MPV-14-NPT	1/4" NPT	3000	205	2.00	1.06	4.72
* 1/4"	MPV-14-SAE	7/16" -20 ORB	3000	205	2.00	1.06	4.72
* 3/8"	MPV-38-NPT	3/8" NPT	3000	205	1.97	1.26	4.72
* 3/8"	MPV-38-SAE	9/16" -18 ORB	3000	205	1.97	1.26	4.72
1/2"	MPV-12-NPT	1/2" NPT	3000	205	2.62	1.61	5.43
1/2"	MPV-12-SAE	3/4" -16 ORB	3000	205	2.62	1.61	5.43
3/4"	MPV-34-NPT	3/4" NPT	3000	205	3.11	2.09	6.14
3/4"	MPV-34-SAE	1 1/16" -12 ORB	3000	205	3.11	2.09	6.14
1"	MPV-1-NPT	1" NPT	3000	205	3.52	2.36	6.89
1"	MPV-1-SAE	1 5/16" -12 ORB	3000	205	3.52	2.36	6.89

*Stainless steel ball.

171N Series

Low Pressure Brass Ball Valves

Specifications

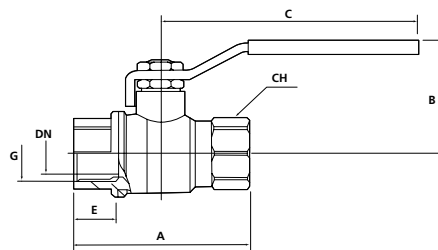
- Full port
- Blow-out proof stem
- PTFE seats, seals, washer
- Chrome plated Brass ball
- Temp rated -22°F to 366°F
- Available sizes up to 4"



Regular Handle



Locking Handle



Regular Handle

SIZE	THREAD SIZE	PART NUMBER	PSI	DIMENSIONS (IN.)					
				DN	B	A	C	E	CH
1/2"	1/2" NPTF	171N-12-NPT	600	.58	2.08	2.05	3.54	.52	.78
3/4"	3/4" NPTF	171N-34-NPT	600	.74	2.30	2.36	3.78	.56	1.20
1"	1" NPTF	171N-1-NPT	600	.94	2.68	2.75	4.52	.66	1.50
1 1/4"	1 1/4" NPTF	171N-114-NPT	600	1.26	3.14	3.30	4.52	.70	1.82
1 1/2"	1 1/2" NPTF	171N-112-NPT	600	1.57	3.61	3.66	5.51	.72	2.09
2"	2" NPTF	171N-2-NPT	600	1.97	3.68	4.18	5.51	.74	2.12

Locking Handle

SIZE	THREAD SIZE	PART NUMBER	PSI	DIMENSIONS (IN.)					
				DN	B	A	C	E	CH
1/4"	1/4" NPTF	171N-14-NPT-LH	600	.39	1.83	2.02	3.78	.39	.78
3/8"	3/8" NPTF	171N-38-NPT-LH	600	.39	1.83	2.02	3.78	.39	.78
1/2"	1/2" NPTF	171N-12-NPT-LH	600	.59	1.99	2.44	3.78	.53	.98
3/4"	3/4" NPTF	171N-34-NPT-LH	600	.79	2.48	2.71	4.84	.55	1.22
1"	1" NPTF	171N-1-NPT-LH	600	.98	2.64	3.07	4.84	.66	1.49
1 1/4"	1 1/4" NPTF	171N-114-NPT-LH	600	1.29	3.15	3.42	5.94	.68	1.88
1 1/2"	1 1/2" NPTF	171N-112-NPT-LH	600	1.57	3.38	3.89	5.94	.68	2.12
2"	2" NPTF	171N-2-NPT-LH	600	1.96	3.74	4.33	6.30	.69	2.63

383 Series

Low Pressure Mini Ball Valves

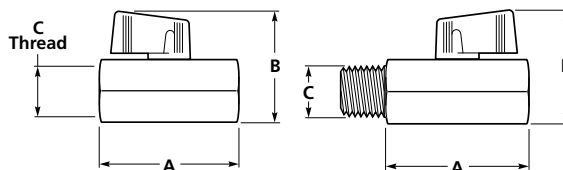
Specifications

- One piece body
- Brass with chrome plating
- Blow-out proof stem
- FPM O-Rings
- PTFE seats
- Temp rated 4°F to 200°F



383 Series

SIZE	PART NUMBER	THREAD (C)	PSI	A	B
1/8"	383N-18-NPT	1/8"F x 1/8"F NPTF	450	1.71	1.50
1/8"	383M-18-NPT	1/8"F x 1/8"M NPTF	450	1.71	1.50
1/4"	383N-14-NPT	1/4"F x 1/4"F NPTF	450	1.71	1.50
1/4"	383M-14-NPT	1/4"F x 1/4"M NPTF	450	1.71	1.50
3/8"	383N-38-NPT	3/8"F x 3/8"F NPTF	450	1.71	1.50
3/8"	383M-38-NPT	3/8"F x 3/8"M NPTF	450	1.71	1.50
1/2"	383N-12-NPT	1/2"F x 1/2"F NPTF	450	2.10	1.73
1/2"	383M-12-NPT	1/2"F x 1/2"M NPTF	450	2.10	1.73



Dimensions provided are for reference only.

SLB Series

Low Pressure Stainless Steel Ball Valves

Specifications

- 316 Stainless body, ball and stem
- Pure PTFE seats
- Blow-out proof stems
- Lock handle standard
- Full port

Temp. Rating

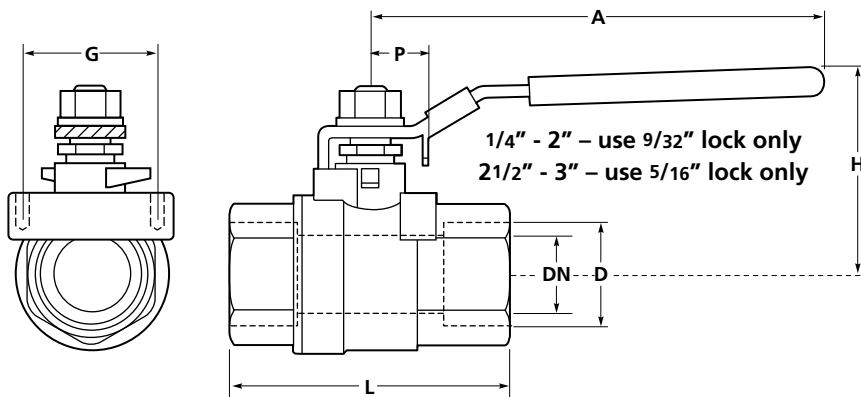
- -20°F to 350°F



SLB Series

DIMENSIONS (IN.)

SIZE	THREAD SIZE	PART NUMBER	PSI	D	DN	P	L	G	A	H
1/4"	1/4" NPTF	SLB-14-NPT-LH	1000	1/4"	.45	.38	2.16	1.12	3.93	1.96
3/8"	3/8" NPTF	SLB-38-NPT-LH	1000	3/8"	.49	.38	2.16	1.12	3.93	1.96
1/2"	1/2" NPTF	SLB-12-NPT-LH	1000	1/2"	.59	.43	2.55	1.12	5.11	2.36
3/4"	3/4" NPTF	SLB-34-NPT-LH	1000	3/4"	.78	.43	2.93	1.38	5.11	2.51
1"	1" NPTF	SLB-1-NPT-LH	1000	1"	.98	.53	3.46	1.38	6.49	2.79
1 1/4"	1 1/4" NPTF	SLB-114-NPT-LH	1000	1 1/4"	1.25	.53	4.01	1.50	6.49	3.07
1 1/2"	1 1/2" NPTF	SLB-112-NPT-LH	1000	1 1/2"	1.49	.61	4.33	1.50	7.48	3.38
2"	2" NPTF	SLB-2-NPT-LH	1000	2"	1.96	.61	4.92	1.50	7.48	3.74
2 1/2"	2 1/2" NPTF	SLB-212-NPT-LH	1000	2 1/2"	2.56	1.75	6.02	2.56	9.61	4.72
3"	3" NPTF	SLB-3-NPT-LH	1000	3"	3.15	1.75	6.85	2.56	9.61	5.16

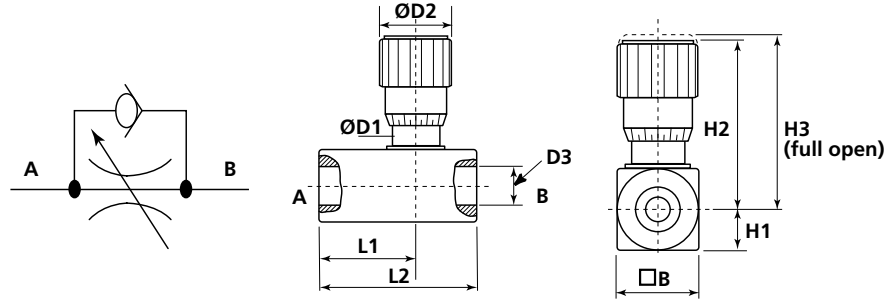


Dimensions provided are for reference only.

Flow Control Valves

Specifications

- Micrometer adjustment knob for accurate valve setting
- Rugged construction
- Carbon steel body with black oxide plating
- Zinc alloy handle
- Steel set screw
- Buna-O-Ring/PTFE stem packing



Maximum Pressure

- 5000 PSI

Temp. Rating

- -4°F to 176°F

Flow Control Valve



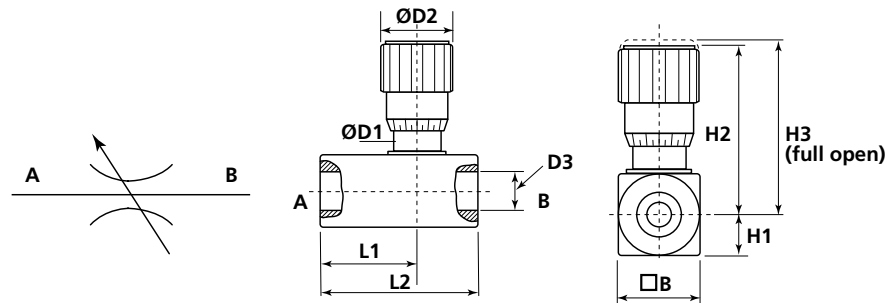
DIMENSIONS (IN.)

SIZE	PART NUMBER	B	D1	D2	D3	H1	H2	H3	L1	L2	WEIGHT
1/4"	FCV2818-2	1.10	0.76	1.18	1/4" NPTF	0.55	2.41	2.67	1.54	2.52	0.90 lbs
3/8"	FCV2818-3	1.10	0.76	1.18	3/8" NPTF	0.55	2.41	2.67	1.69	2.75	0.90 lbs
1/2"	FCV2818-4	1.50	0.95	1.46	1/2" NPTF	0.75	3.07	3.41	2.05	3.27	2.00 lbs
3/4"	FCV2818-6	1.50	0.95	1.46	3/4" NPTF	0.75	3.08	3.41	2.19	3.50	2.00 lbs
1"	FCV2818-8	1.89	1.38	1.89	1" NPTF	0.94	4.03	4.50	2.79	4.60	4.20 lbs
1 1/4"	FCV2818-10	2.38	1.96	2.28	1 1/4" NPTF	1.18	5.25	5.88	3.39	6.07	9.55 lbs
3/8"	FCV2818-3- <i>SAE</i>	1.10	0.76	1.18	06 SAE	0.55	2.41	2.67	1.69	2.75	0.90 lbs

Needle Valves

Specifications

- Micrometer adjustment knob for accurate valve setting
- Rugged construction
- Carbon steel body with black oxide plating
- Zinc alloy handle
- Steel set screw
- Buna-O-Ring/PTFE stem packing



Needle Valve



DIMENSIONS (IN.)

SIZE	PART NUMBER	B	D1	D2	D3	H1	H2	H3	L1	L2	WEIGHT
1/4"	NVI2810-2	1.10	0.76	1.18	1/4" NPTF	0.55	2.41	2.67	1.54	2.52	0.90 lbs
3/8"	NVI2810-3	1.10	0.76	1.18	3/8" NPTF	0.55	2.41	2.67	1.69	2.75	0.90 lbs
1/2"	NVI2810-4	1.50	0.95	1.46	1/2" NPTF	0.75	3.07	3.41	2.05	3.27	2.00 lbs
3/4"	NVI2810-6	1.50	0.95	1.46	3/4" NPTF	0.75	3.08	3.41	2.19	3.50	2.00 lbs
1"	NVI2810-8	1.89	1.38	1.89	1" NPTF	0.94	4.03	4.50	2.79	4.60	4.20 lbs
1 1/4"	NVI2810-10	2.39	1.74	2.26	1 1/4" NPTF	1.20	5.34	5.88	2.24	4.49	7.50 lbs
1 1/2"	NVI2810-12	2.76	2.38	3.17	1 1/2" NPTF	1.38	6.30	7.13	2.41	4.81	15.40 lbs
3/8"	NVI2810-3- <i>SAE</i>	1.10	0.76	1.18	06 SAE	0.55	2.41	2.67	1.69	2.75	0.90 lbs

Dimensions provided are for reference only.

PC-100 Series

Needle Valves



Specifications

- Made in the USA
- Compact valve size built for maximum durability and performance
- Available in zinc plated steel, brass, and 316 stainless steel
- FKM o-ring and PTFE back-up ring below the stem threads to protect from corrosion
- All stem threads are rolled for strength and ease of operation
- Patented body-to-bonnet, metal-to-metal seal is designed to increase pressure range

Orifice Size

0.172"

Flow Coefficient

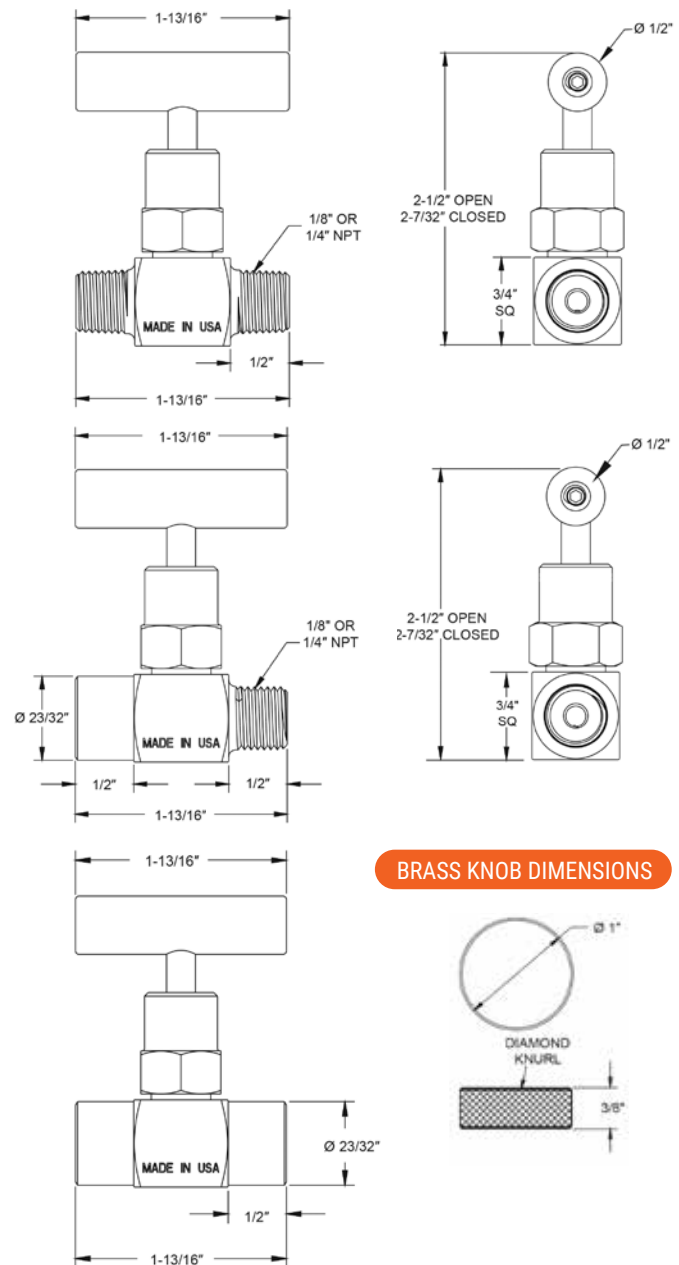
Cv 0.42

Pressure

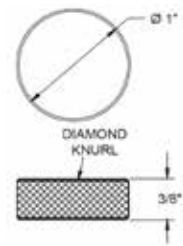
Brass 6000 PSI

Steel and Stainless 10,000 PSI

1/8" - 1/4" DIMENSIONS



BRASS KNOB DIMENSIONS



PART NUMBER	SIZE	THREAD	MATERIAL
PC-101-FFB	1/8"	1/8" FxF	BRASS
PC-101-MFB	1/8"	1/8" MxF	BRASS
PC-101-MMB	1/8"	1/8" MxM	BRASS
PC-101-FFC	1/8"	1/8" FxF	STEEL
PC-101-MFC	1/8"	1/8" MxF	STEEL
PC-101-MMC	1/8"	1/8" MxM	STEEL
PC-101-FFS	1/8"	1/8" FxF	STAINLESS
PC-101-MFS	1/8"	1/8" MxF	STAINLESS
PC-101-MMS	1/8"	1/8" MxM	STAINLESS
PC-102-FFB	1/4"	1/4" FxF	BRASS
PC-102-MFB	1/4"	1/4" MxF	BRASS
PC-102-MMB	1/4"	1/4" MxM	BRASS
PC-102-FFC	1/4"	1/4" FxF	STEEL
PC-102-MFC	1/4"	1/4" MxF	STEEL
PC-102-MMC	1/4"	1/4" MxM	STEEL
PC-102-FFS	1/4"	1/4" FxF	STAINLESS
PC-102-MFS	1/4"	1/4" MxF	STAINLESS
PC-102-MMS	1/4"	1/4" MxM	STAINLESS

Dimensions provided are for reference only.

PC-400 Series

Needle Valves

Specifications

- Made in the USA
- Blow-out proof stem provides a secondary stem seal in the fully opened position
- FKM o-ring seal and PTFE back-up ring below the stem threads to protect from corrosion
- All stem threads are rolled for strength and ease of operation
- One piece bonnet with a metal-to-metal seal to the valve body below the bonnet threads
- Slotted spring pin to prevent accidental loosening
- Vinyl dust cap for bonnet and stem (non-packing)
- Available in steel and 316 stainless steel
- All stainless valves meet NACE requirements
- 10,000 PSI rated



Orifice Sizes

1/4" x 1/2" 0.187"

3/4" x 1-1/2" 0.438"

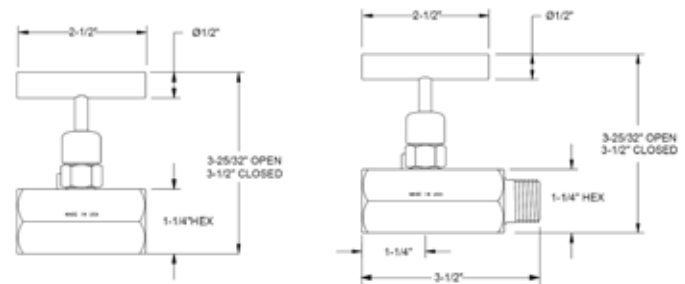
Flow Coefficient

1/4" x 1/2" Cv 0.44

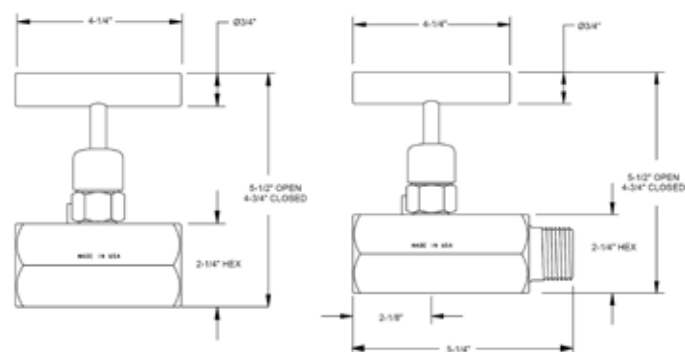
3/4" x 1-1/2" Cv 2.70

PART NUMBER	SIZE	THREAD	MATERIAL
PC-402-FFC	1/4"	1/4" NPT FxF	STEEL
PC-402-MFC	1/4"	1/4" NPT MxF	STEEL
PC-403-FFC	3/8"	3/8" NPT FxF	STEEL
PC-403-MFC	3/8"	3/8" NPT MxF	STEEL
PC-404-FFC	1/2"	1/2" NPT FxF	STEEL
PC-404-MFC	1/2"	1/2" NPT MxF	STEEL
PC-406-FFC	3/4"	3/4" NPT FxF	STEEL
PC-406-MFC	3/4"	3/4" NPT MxF	STEEL
PC-408-FFC	1"	1" NPT FxF	STEEL
PC-408-MFC	1"	1" NPT MxF	STEEL
PC-410-FFC	1 1/4"	1 1/4" NPT FxF	STEEL
PC-410-MFC	1 1/4"	1 1/4" NPT MxF	STEEL
PC-412-FFC	1 1/2"	1 1/2" NPT FxF	STEEL
PC-412-MFC	1 1/2"	1 1/2" NPT MxF	STEEL
PC-402-FFS	1/4"	1/4" NPT FxF	STAINLESS
PC-402-MFS	1/4"	1/4" NPT MxF	STAINLESS
PC-403-FFS	3/8"	3/8" NPT FxF	STAINLESS
PC-403-MFS	3/8"	3/8" NPT MxF	STAINLESS
PC-404-FFS	1/2"	1/2" NPT FxF	STAINLESS
PC-404-MFS	1/2"	1/2" NPT MxF	STAINLESS
PC-406-FFS	3/4"	3/4" NPT FxF	STAINLESS
PC-406-MFS	3/4"	3/4" NPT MxF	STAINLESS
PC-408-FFS	1"	1" NPT FxF	STAINLESS
PC-408-MFS	1"	1" NPT MxF	STAINLESS
PC-410-FFS	1 1/4"	1 1/4" NPT FxF	STAINLESS
PC-410-MFS	1 1/4"	1 1/4" NPT MxF	STAINLESS
PC-412-FFS	1 1/2"	1 1/2" NPT FxF	STAINLESS
PC-412-MFS	1 1/2"	1 1/2" NPT MxF	STAINLESS

1/4" – 1/2" DIMENSIONS



3/4" – 1-1/2" DIMENSIONS



Dimensions provided are for reference only.

pcihydraulics.com • 440.349.4020

Fast. Friendly. Reliable. 60

VU Series

Soft-Seat Check Valves-Steel



Rated Pressure - PSI

BODY SIZE	PSI
1/4"	10,000
3/8"	10,000
1/2"	7250
3/4"	7250
1"	7250
1 1/4"	4350
1 1/2"	4350
2"	4350

Steel

Features

- Zinc clear plated body
- Captive Buna-N seal
- One piece body

Applications

- Agriculture
- Construction
- Hydraulic
- Pneumatic

Spring Pressures

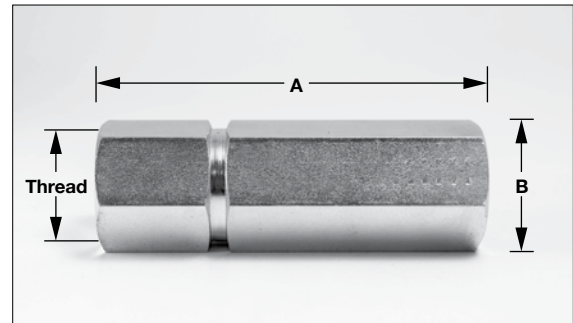
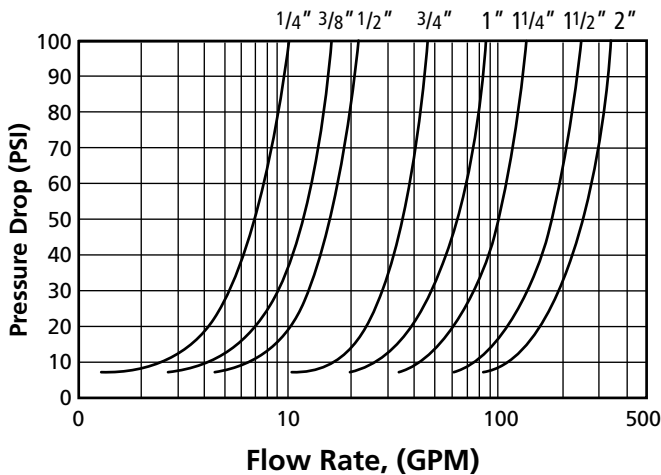
- 7 or 70 PSI

DIMENSIONS (IN.)

SIZE	PART NUMBER	THREAD	SPRING	A	B
1/4"	VU-14-F-7	1/4" NPTF	7 PSI	2.83	.87
1/4"	VU-14-F-70	1/4" NPTF	70 PSI	2.83	.87
3/8"	VU-38-F-7	3/8" NPTF	7 PSI	3.19	.94
3/8"	VU-38-F-70	3/8" NPTF	70 PSI	3.19	.94
1/2"	VU-12-F-7	1/2" NPTF	7 PSI	3.78	1.18
1/2"	VU-12-F-70	1/2" NPTF	70 PSI	3.78	1.18
3/4"	VU-34-F-7	3/4" NPTF	7 PSI	4.28	1.50
3/4"	VU-34-F-70	3/4" NPTF	70 PSI	4.28	1.50
1"	VU-1-F-7	1" NPTF	7 PSI	4.96	1.81
1"	VU-1-F-70	1" NPTF	70 PSI	4.96	1.81
1 1/4"	VU-114-F-7	1 1/4" NPTF	7 PSI	5.12	2.17
1 1/2"	VU-112-F-7	1 1/2" NPTF	7 PSI	5.31	2.56
2"	VU-2-F-7	2" NPTF	7 PSI	5.91	2.95

Performance:

Pressure Drop vs. Flow Rate



Dimensions provided are for reference only.

VU Series

316 Stainless Steel Soft-Seat Check Valves



Rated Pressure - PSI

BODY SIZE	PSI
1/4"	5145
3/8"	5145
1/2"	5145
3/4"	4410
1"	3675
1 1/4"	3675
1 1/2"	3675
2"	2200

Stainless Steel

Features

- 316 stainless body
- 302 stainless springs
- FKM/FPM poppet seal
- Low pressure drop

Applications

- Construction
- Chemical
- Hydraulic tools

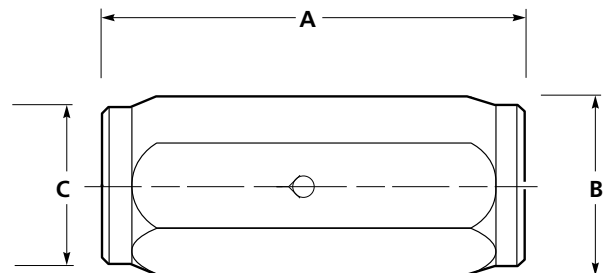
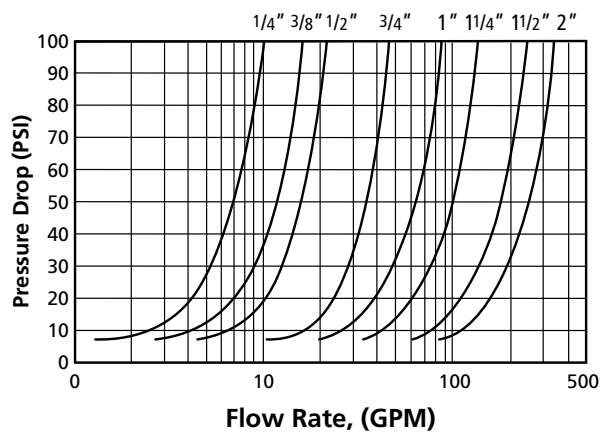
Spring Pressures

- 7 PSI only

SIZE	PART NUMBER	THREAD C	A	B
1/4"	VU-14-F-7-SS	1/4" NPTF	1.97	.75
3/8"	VU-38-F-7-SS	3/8" NPTF	2.36	.94
1/2"	VU-12-F-7-SS	1/2" NPTF	2.56	1.60
3/4"	VU-34-F-7-SS	3/4" NPTF	2.95	1.34
1"	VU-1-F-7-SS	1" NPTF	3.66	1.61
1 1/4"	VU-114-F-7-SS	1 1/4" NPTF	4.33	1.97
1 1/2"	VU-112-F-7-SS	1 1/2" NPTF	4.41	2.17
2"	VU-2-F-7-SS	2" NPTF	4.72	2.95

Performance:

Pressure Drop vs. Flow Rate



Dimensions provided are for reference only.

pcihydraulics.com • 440.349.4020

Fast. Friendly. Reliable. 62

HSP Series

Hard Seat Check Valves-Steel



Features

- Zinc clear plated body (RoHs compliant)
- Metal-to-metal seat
- One-piece body

Applications

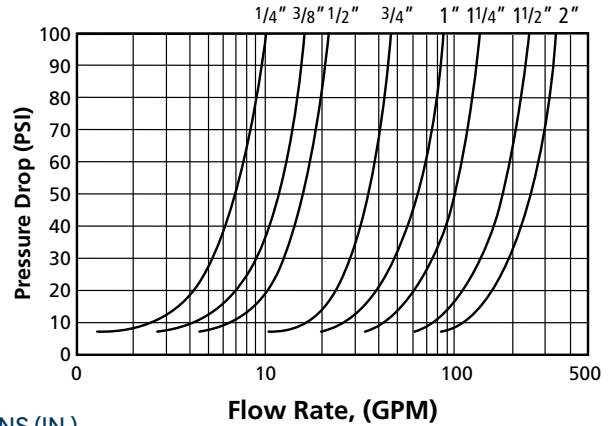
- Hydraulic
- Chemical
- Construction

Spring Pressures

- 5 or 65 PSI

Steel

Pressure Drop vs. Flow Rate



NPT

DIMENSIONS (IN.)

SIZE	PART NUMBER	THREAD C	SPRING	B	C
1/4"	HSP-1000-2-5	1/4" NPTF	5 PSI	2.44	.87
1/4"	HSP-1000-2-65	1/4" NPTF	65 PSI	2.44	.87
3/8"	HSP-1000-3-5	3/8" NPTF	5 PSI	2.87	.95
3/8"	HSP-1000-3-65	3/8" NPTF	65 PSI	2.87	.95
1/2"	HSP-1000-4-5	1/2" NPTF	5 PSI	3.50	1.14
1/2"	HSP-1000-4-65	1/2" NPTF	65 PSI	3.50	1.14
3/4"	HSP-1000-6-5	3/4" NPTF	5 PSI	4.25	1.50
3/4"	HSP-1000-6-65	3/4" NPTF	65 PSI	4.25	1.50
1"	HSP-1000-8-5	1" NPTF	5 PSI	5.12	1.69
1"	HSP-1000-8-65	1" NPTF	65 PSI	5.12	1.69
1 1/4"	HSP-1000-10-5	1 1/4" NPTF	5 PSI	5.56	2.40
1 1/4"	HSP-1000-10-65	1 1/4" NPTF	65 PSI	5.56	2.40
1 1/2"	HSP-1000-12-5	1 1/2" NPTF	5 PSI	5.56	2.56
1 1/2"	HSP-1000-12-65	1 1/2" NPTF	65 PSI	5.56	2.56
2"	HSP-1000-16-5	2" NPTF	5 PSI	7.91	3.15
2"	HSP-1000-16-65	2" NPTF	65 PSI	7.91	3.15

Rated Flow

BODY SIZE	GPM
1/4"	6
3/8"	9.5
1/2"	18
3/4"	30
1"	35
1 1/4"	60
1 1/2"	90
2"	145

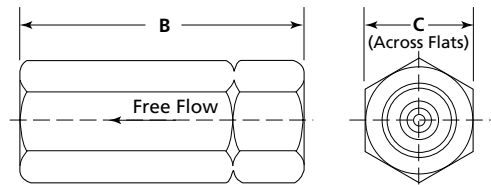
Rated Pressure - PSI

BODY SIZE	PSI
1/4"	6000
3/8"	6000
1/2"	5000
3/4"	5000
1"	5000
1 1/4"	3000
1 1/2"	3000
2"	3000

ORB

DIMENSIONS (IN.)

SIZE	PART NUMBER	THREAD C	SPRING	B	C
1/4"	HSP-1001-4-5	7/16" -20 ORB	5 PSI	2.44	.87
1/4"	HSP-1001-4-65	7/16" -20 ORB	65 PSI	2.44	.87
3/8"	HSP-1001-6-5	9/16" -18 ORB	5 PSI	2.87	.95
3/8"	HSP-1001-6-65	9/16" -18 ORB	65 PSI	2.87	.95
1/2"	HSP-1001-8-5	3/4" -16 ORB	5 PSI	3.50	1.14
1/2"	HSP-1001-8-65	3/4" -16 ORB	65 PSI	3.50	1.14
3/4"	HSP-1001-12-5	1 1/16" -12 ORB	5 PSI	4.25	1.50
3/4"	HSP-1001-12-65	1 1/16" -12 ORB	65 PSI	4.25	1.50
1"	HSP-1001-16-5	1 5/16" -12 ORB	5 PSI	5.12	1.69
1"	HSP-1001-16-65	1 5/16" -12 ORB	65 PSI	5.12	1.69
1 1/4"	HSP-1001-20-5	1 5/8" -12 ORB	5 PSI	5.56	2.40
1 1/4"	HSP-1001-20-65	1 5/8" -12 ORB	65 PSI	5.56	2.40
1 1/2"	HSP-1001-24-5	1 7/8" -12 ORB	5 PSI	5.56	2.56
1 1/2"	HSP-1001-24-65	1 7/8" -12 ORB	65 PSI	5.56	2.56



Dimensions provided are for reference only.

Standard Series Clamps

Ordering Example

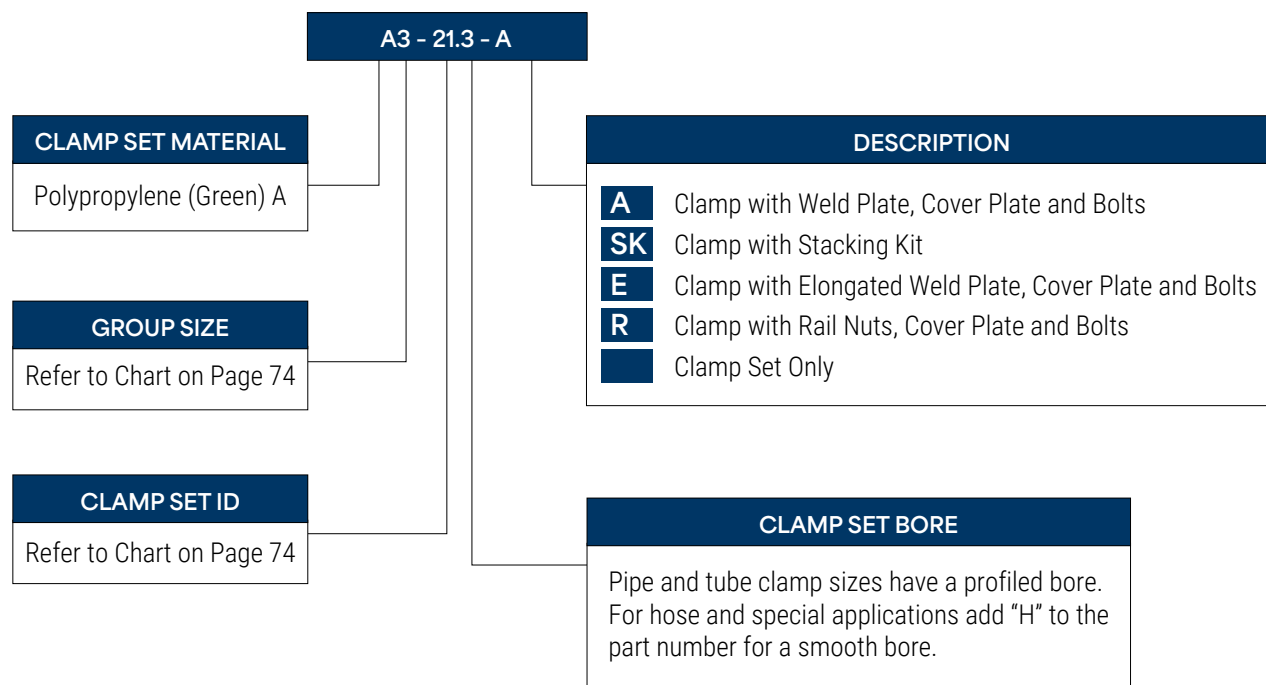


Features

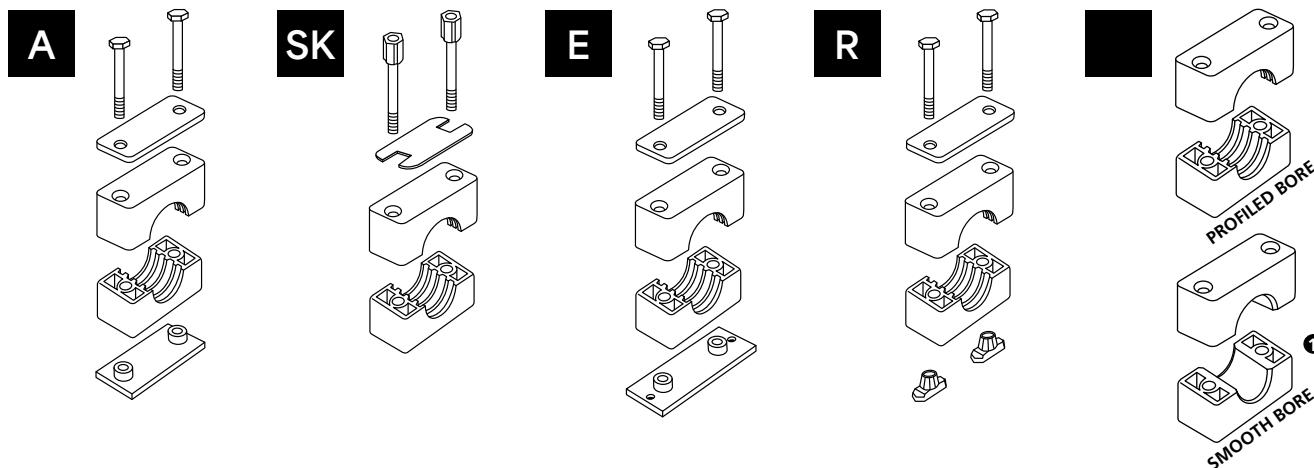
- Meets DIN 3015-1 specifications
- Interchangeable with:
 - Stauff
 - ZSI
 - Behringer

Temp. Rating

- -22°F to 195°F



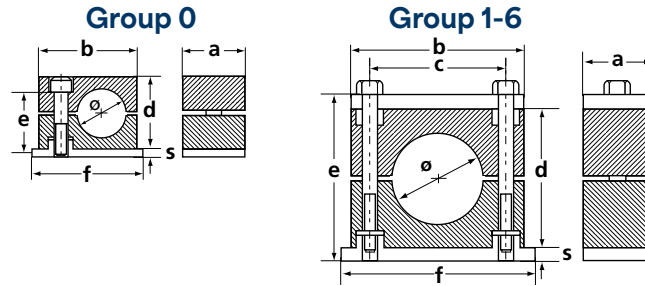
***S" Prefix = Stainless Steel Hardware



Dimensions provided are for reference only.

Standard Series

Sizes and Dimensions



PCI	DIN	DIAMETER					DIMENSIONS							BAG/QTY.
GROUP	GROUP	Ø	—	PIPE	—	COMPLETE								BAG
		mm	Inch	NOMINAL	TUBE	ASSEMBLY	A	B	C	D	F	S	E	QTY.
				BORE	O.D.	PART #								
0	0	6	0.24	—	—	A0-06H-A								
		8	0.31	—	5/16"	A0-08-A	30mm	28mm	—	27mm	32mm	3mm	33mm	50
		10	0.39	1/8"	—	A0-10-A	1.18"	1.10"	—	1.06"	1.26"	0.12"	1.30"	
		12	0.47	—	—	A0-12H-A								
1	1	6	0.24	—	—	A1-06H-A								
		6.4	0.25	—	1/4"	A1-6.4-A*	30mm	34mm	20mm	27mm	42mm	3mm	33mm	
		8	0.31	—	5/16"	A1-08-A	1.18"	1.34"	0.79"	1.06"	1.65"	0.12"	1.30"	
		9.5	0.37	—	3/8"	A1-9.5-A								
		10	0.39	1/8"	—	A1-10-A								
2	2	12	0.47	—	—	A1-12H-A								50
		12.7	0.50	—	1/2"	A2-12.7-A*	30mm	40mm	26mm	33mm	48mm	3mm	39mm	
		13.5	0.53	1/4"	—	A2-13.5-A*	1.18"	1.57"	1.02"	1.30"	1.89"	0.12"	1.54"	
		14	0.55	—	—	A2-14H-A								
		15	0.59	—	—	A2-15H-A								
		16	0.63	—	5/8"	A2-16-A*								
3	3	17.2	0.67	3/8"	—	A2-17.2-A*								50
		18	0.71	—	—	A2-18H-A								
		19	0.75	—	—	A2-19H-A								
		19	0.75	—	3/4"	A3-19-A*	30mm	45mm	33mm	35mm	55mm	3mm	41mm	
		20	0.79	—	—	A3-20H-A	1.18"	1.69"	1.30"	1.38"	2.17"	0.12"	1.61"	
4	4	21.3	0.84	1/2"	—	A3-21.3-A*								25
		22	0.87	—	7/8"	A3-22-A								
		25	0.98	—	—	A3-25H-A								
		25.4	1.00	—	1"	A3-25.4-A*								
5	5	26.9	1.06	3/4"	—	A4-26.9-A*	30mm	57mm	40mm	42mm	62mm	3mm	48mm	25
		28	1.10	—	—	A4-28H-A*	1.18"	2.24"	1.57"	1.65"	2.44"	0.12"	1.89"	
		30	1.18	—	—	A4-30H-A								
		32	1.25	—	1 1/4"	A4-32-A*								
6	6	32	1.25	—	1 1/4"	A5-32-A								25
		33.7	1.33	1"	—	A5-33.7-A	30mm	68mm	52mm	58mm	74mm	3mm	64mm	
		35	1.38	—	—	A5-35H-A*	1.18"	2.68"	2.05"	2.28"	2.91"	0.12"	2.52"	
		38	1.50	—	1 1/2"	A5-38-A*								
		40	1.57	—	—	A5-40H-A								
		42	1.65	—	—	A5-42H-A								
6	6	42.4	1.67	1 1/4"	—	A5-42.4-A*								25
		45	1.77	—	—	A5-45H-A								
		44.5	1.75	—	1 3/4"	A6-44.5-A	30mm	86mm	66mm	66mm	88mm	3mm	77mm	
		48.3	1.90	1 1/2"	—	A6-48.3-A*	1.18"	3.39"	2.60"	2.60"	3.46"	0.12"	2.83"	
		50.8	2.00	—	2"	A6-50.8-A								

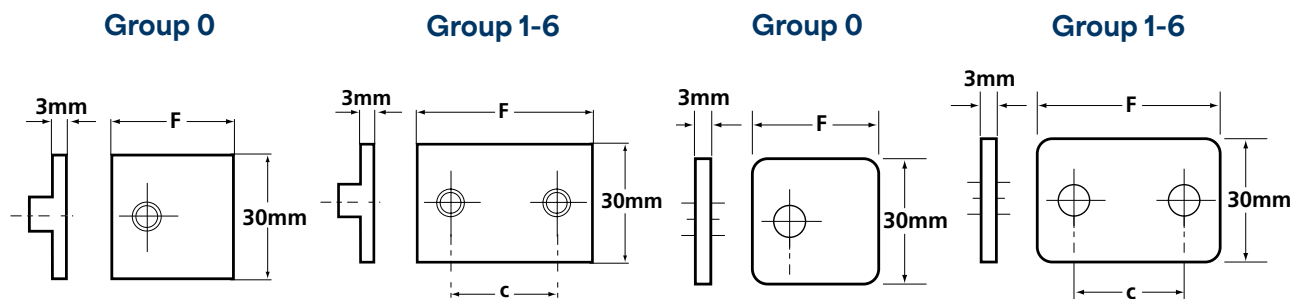
NOTE:

- *Available in black. Add "B" prefix to part number.
- "H" in part number designates a smooth bore insert.
- Add "S" prefix for stainless steel hardware when ordering a complete clamp assembly.
- To order a set of inserts only, omit the "A" from the end of the part number.

Dimensions provided are for reference only.

Standard Series

Components



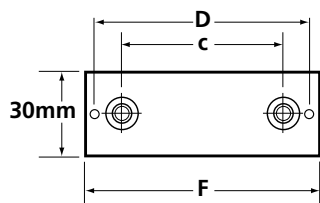
Weld Plate

Cover Plate

GROUP	DIMENSIONS			BAG QTY.	DIMENSIONS			BAG QTY.
	PART NUMBER	F	C		PART NUMBER	F	C	
0	WP0	32mm 1.28"	—	50	CP0	28mm 1.10"	—	50
1	WP1	42mm 1.65"	20mm 0.79"	50	CP1	37mm 1.46"	20mm 0.79"	50
2	WP2	48mm 1.89"	26mm 1.02"	50	CP2	43mm 1.69"	26mm 1.02"	50
3	WP3	55mm 2.17"	33mm 1.30"	50	CP3	50mm 1.97"	33mm 1.30"	50
4	WP4	62mm 2.44"	40mm 1.57"	25	CP4	57mm 2.24"	40mm 1.57"	25
5	WP5	74mm 2.91"	52mm 2.05"	25	CP5	69mm 2.72"	52mm 2.05"	25
6	WP6	88mm 3.46"	66mm 2.60"	25	CP6	83mm 3.27"	66mm 2.60"	25

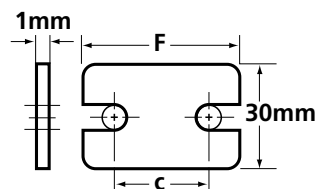
NOTE: Add "S" prefix for stainless steel hardware.

Elongated Weld Plate



ENLONGATED WELL PLATE	
GROUP	PART NUMBER
0	EWP0
1	EWP1
2	EWP2
3	EWP3
4	EWP4
5	EWP5
6	EWP6

Safety Plate

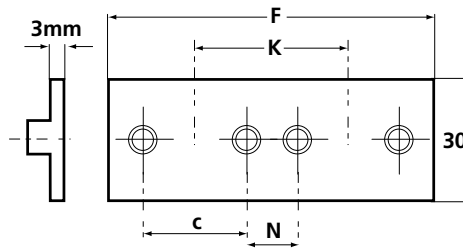


SAFTETY PLATE	
GROUP	PART NUMBER
0	SP0
1	SP1
2	SP2
3	SP3
4	SP4
5	SP5
6	SP6

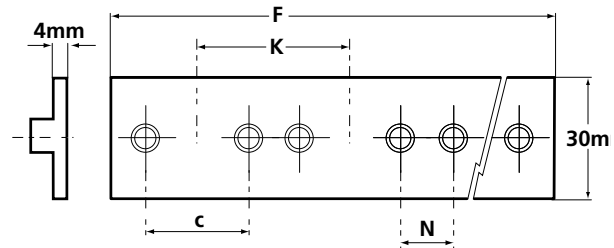
Dimensions provided are for reference only.

Standard Series

Components

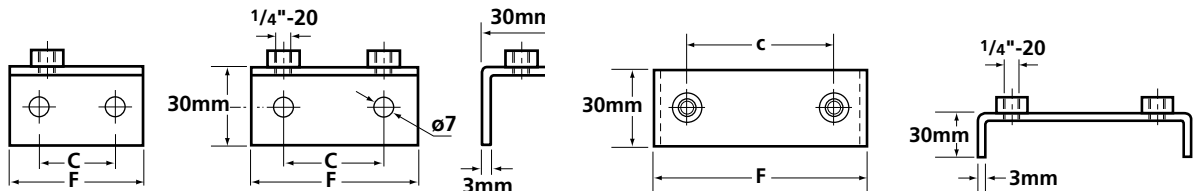


Double Weld Plate



Multiple Weld Plate

GROUP	PART NUMBER	DIMENSIONS				PART NUMBER	DIMENSIONS				CLAMPS PER PLATE
		F	C	N	K		F	C	N	K	
0	DWP0	61mm 2.40"	—	—	30mm 1.18"	MWP0	309mm 12.2"	—	—	30mm 1.18"	10
1	DWP1	81mm 3.19"	20mm 0.79"	20mm 0.79"	40mm 1.57"	MWP1	368mm 14.5"	20mm 0.79"	20mm 0.79"	40mm 1.57"	10
2	DWP2	91mm 3.58"	26mm 1.02"	18mm 0.71"	44mm 1.73"	MWP2	463mm 18.25"	26mm 1.02"	18mm 0.71"	44mm 1.73"	10
3	DWP3	106mm 4.17"	33mm 1.30"	19mm 0.75"	52mm 2.05"	MWP3	546mm 21.5"	33mm 1.30"	19mm 0.75"	52mm 2.05"	10
4	DWP4	121mm 4.76"	40mm 1.57"	20mm 0.79"	60mm 2.36"	MWP4	304mm 12"	40mm 1.57"	20mm 0.79"	60mm 2.36"	5
5	DWP5	148mm 5.83"	52mm 2.05"	23mm 0.91"	75mm 2.95"	MWP5	377mm 14.85"	52mm 2.05"	23mm 0.91"	75mm 2.95"	5
6	DWP6	177mm 6.97"	66mm 2.60"	24mm 0.94"	90mm 3.54"	MWP6	445mm 17.5"	66mm 2.60"	24mm 0.94"	90mm 3.54"	5



Angled Weld Plate

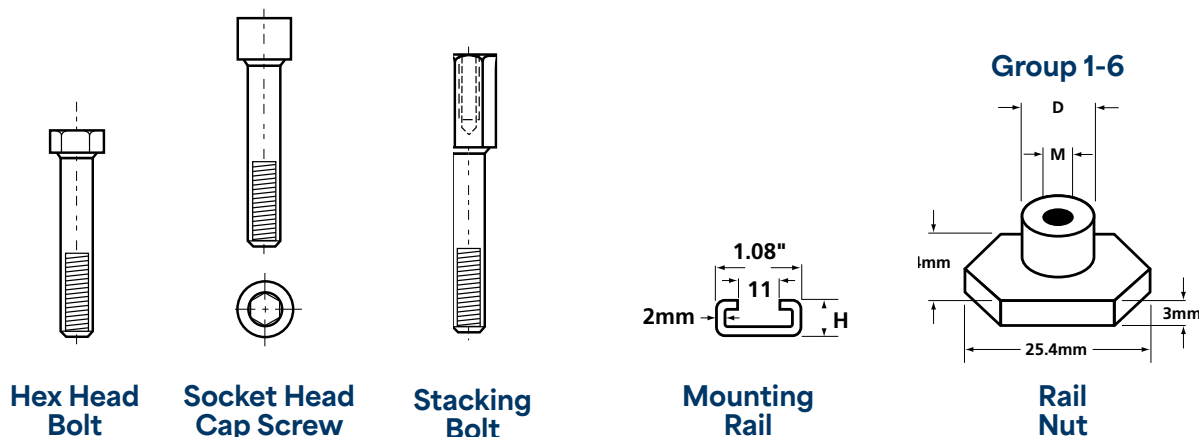
Bridge Weld Plate

GROUP	DIMENSIONS			DIMENSIONS		
	PART NUMBER	F	C	PART NUMBER	F	C
0	AWP0	32mm 1.26"	14mm 0.55"	—	—	—
1	AWP1	42mm 1.65"	20mm 0.79"	BWP1	48mm 1.89"	20mm 0.79"
2	AWP2	48mm 1.89"	26mm 1.02"	BWP2	54mm 2.13"	26mm 1.02"
3	AWP3	55mm 2.17"	33mm 1.30"	BWP3	62mm 2.44"	33mm 1.30"
4	AWP4	62mm 2.44"	40mm 1.57"	BWP4	71mm 2.80"	40mm 1.57"
5	AWP5	74mm 2.91"	52mm 2.05"	BWP5	85mm 3.35"	52mm 2.05"
6	AWP6	88mm 3.46"	66mm 2.60"	BWP6	98mm 3.86"	66mm 2.60"

Dimensions provided are for reference only.

Standard Series

Components



GROUP	PART NUMBER SIZE	PART NUMBER SIZE	PART NUMBER			PART NUMBER					
			PART NUMBER SIZE	HEIGHT H	LENGTH L	PART NUMBER M	PART NUMBER D				
0	HB0/1 1/4" - 20 x 11/4"	SC0/1 1/4" - 20 x 3/4"	SB0/1 1/4" - 20 x 3/4"	MR-11-2 11mm 0.43	2m 6.56	RNS/T1 1/4" - 20	12mm 0.47"				
	1	HB0/1 1/4" - 20 x 11/4"	SC0/1 1/4" - 20 x 3/4"	SB0/1 1/4" - 20 x 3/4"	MR-11-2 11mm 0.43			2m 6.56			
2	HB2 1/4" - 20 x 13/8"	SC2 1/4" - 20 x 1"	SB2 1/4" - 20 x 1"	MR-11-2 11mm 0.43	1m 6.56			RNS/T1 1/4" - 20	12mm 0.47"		
	3	HB3 1/4" - 20 x 11/2"	SC3 1/4" - 20 x 11/4"	SB3 1/4" - 20 x 11/4"	MR-11-2 11mm 0.43					2m 6.56	
4	HB4 1/4" - 20 x 13/4"	SC4 1/4" - 20 x 13/8"	SB4 1/4" - 20 x 13/8"	MR-11-2 11mm 0.43	2m 6.56					RNS/T1 1/4" - 20	12mm 0.47"
	5	HB5 1/4" - 20 x 21/2"	SC5 1/4" - 20 x 2"	SB5 1/4" - 20 x 2"	MR-11-2 11mm 0.43						
6	HB6 1/4" - 20 x 23/4"	SC6 1/4" - 20 x 23/8"	SB6 1/4" - 20 x 23/8"	— —	— —	RNS/T1 1/4" - 20	12mm 0.47"				

NOTE: Add "S" prefix for stainless steel hardware.

Twin Series Clamps

Ordering Example

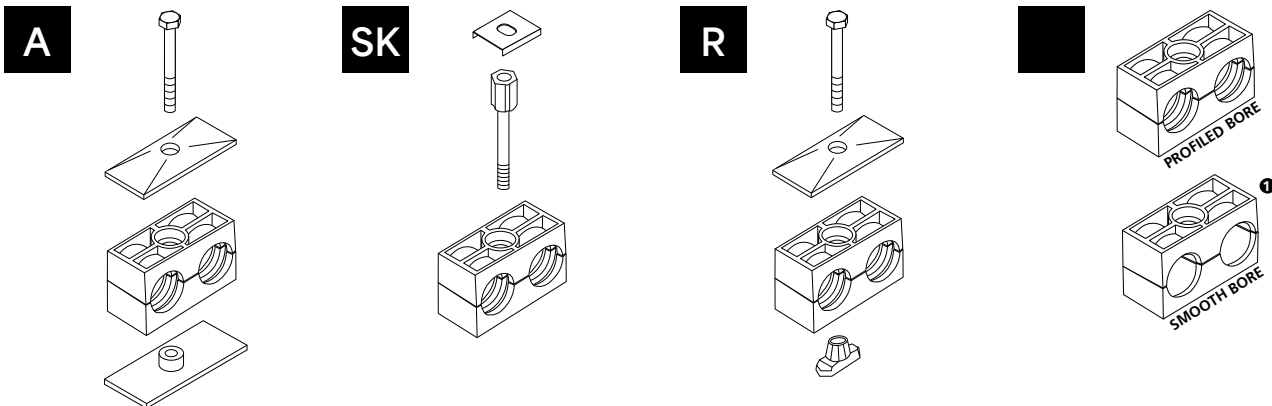
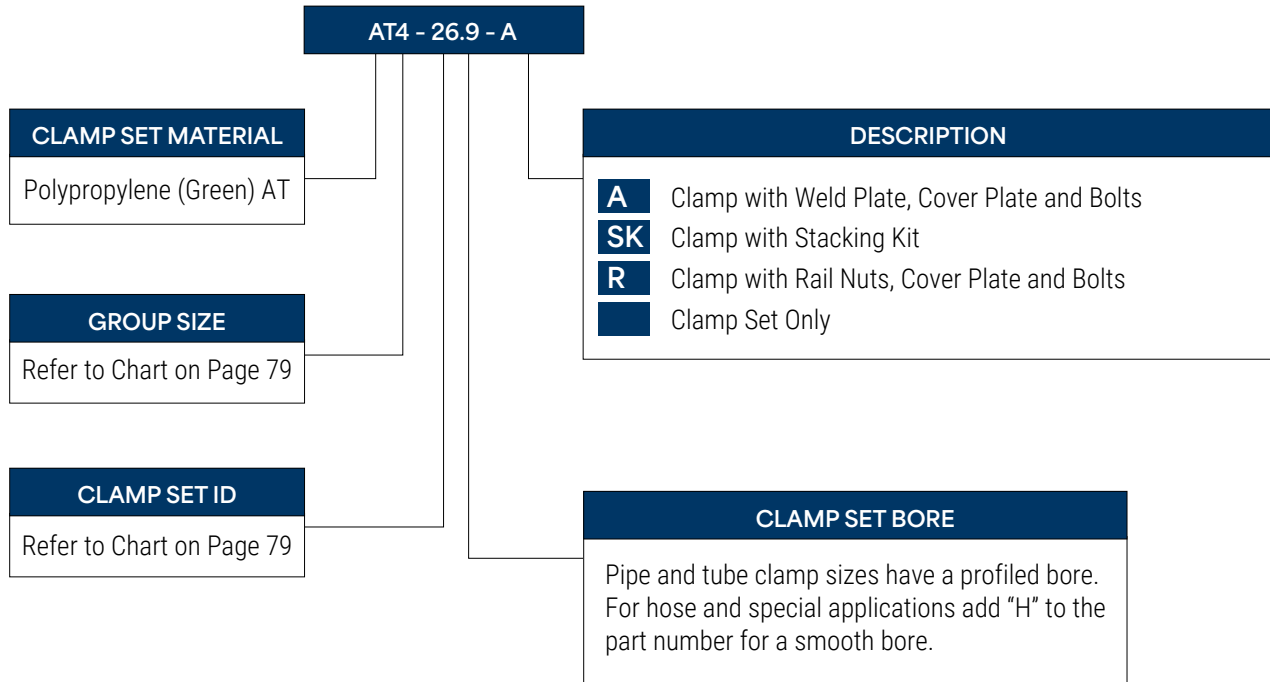


Features

- Meets DIN 3015-3 specifications
- Interchangeable with:
 - Stauff
 - ZSI
 - Behringer

Temp. Rating

- -22°F to 195°F

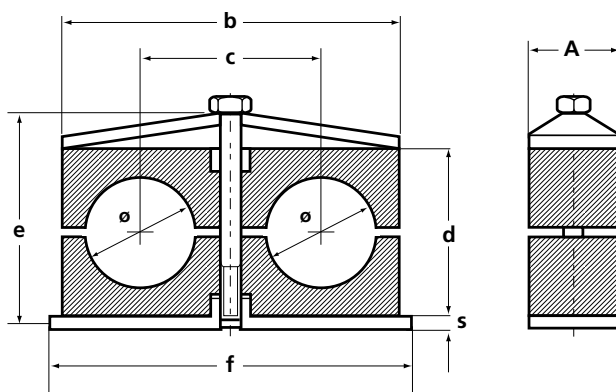


❶ Not available in all sizes. See page 79 for availability.

Dimensions provided are for reference only.

Twin Series

Sizes and Dimensions



PCI		DIN		DIAMETER			DIMENSIONS							BAG/ QTY.
GROUP	GROUP	Ø mm	— Inch	PIPE NOMINAL BORE	— TUBE O.D.	COMPLETE ASSEMBLY PART #	A	B	C	D	F	S	E	BAG QTY.
1	1	6	0.24	—	—	AT1-06H-A	30mm 1.18"	34mm 1.34"	20mm 0.79"	25mm 0.98"	37mm 1.46"	3mm 0.12"	35mm 1.36"	50
		6.4	1.25	—	1/4"	AT1-6.4-A*								
		8	1.31	—	5/16"	AT1-8-A								
		9.5	0.37	—	3/8"	AT1-9.5-A*								
		10	0.39	1/8"	—	AT1-10-A								
		12	0.47	—	—	AT1-12H-A								
2	2	12.7	0.50	—	1/2"	AT2-12.7-A*	30mm 1.18"	53mm 2.09"	29mm 1.14"	26mm 1.02"	55mm 2.17"	5mm 0.20"	36mm 1.42"	50
		13.5	0.53	1/4"	—	AT2-13.5-A*								
		14	0.55	—	—	AT2-14H-A								
		15	0.59	—	—	AT2-15H-A								
		16	0.63	—	5/8"	AT2-16-A*								
		17.2	0.67	3/8"	—	AT2-17.2-A*								
3	3	19	0.75	—	3/4"	AT3-19-A*	30mm 1.18"	67mm 2.64"	36mm 1.42"	37mm 1.46"	70mm 2.76"	5mm 0.20"	47mm 1.85"	50
		20	0.79	—	—	AT3-20H-A								
		21.3	0.84	1/2"	—	AT3-21.3-A*								
		22	0.87	—	7/8"	AT3-22-A*								
		25	0.98	—	—	AT3-25H-A								
		25.4	1.00	—	1"	AT3-25.4-A*								
4	4	26.9	1.06	3/4"	—	AT4-26.9-A	30mm 1.18"	82mm 3.23"	45mm 1.77"	42mm 1.65"	85mm 3.35"	5mm 0.20"	52mm 2.05"	25
		28	1.10	—	—	AT4-28H-A*								
		30	1.18	—	—	AT4-30-A								
5	5	32	1.25	—	1 1/4"	AT5-32-A*	30mm 1.18"	106mm 4.17"	56mm 2.20"	54mm 2.13"	110mm 4.33"	5mm 0.20"	64mm 2.52"	25
		33.7	1.33	1"	—	AT5-33.7-A*								
		35	1.38	—	—	AT5-35H-A								
		38	1.50	—	1 1/2"	AT5-38-A								
		40	1.57	—	—	AT5-40H-A								
		42	1.65	—	—	AT5-42H-A								
42.4	1.67	1 1/4"	—	AT5-42.4-A										

NOTE:

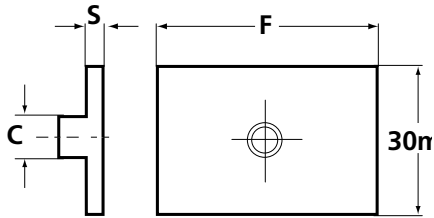
- *Available in black. Add "B" prefix to part number.
- To order a set of inserts only, omit the "A" from the end of the part number.
- "H" in part number designates a smooth bore insert.

Dimensions provided are for reference only.

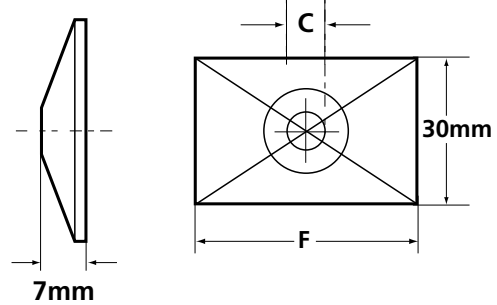
Twin Series

Components

Weld Plate

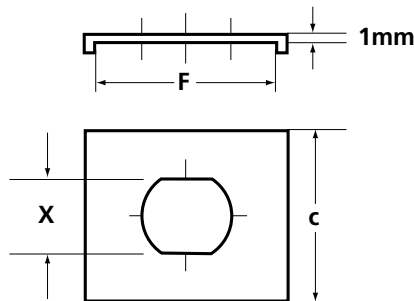


Cover Plate

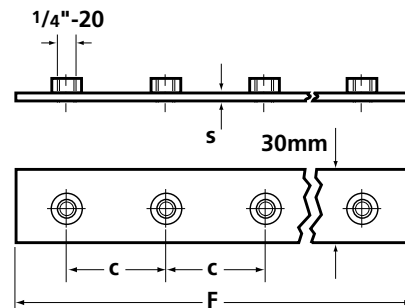


GROUP	DIMENSIONS				BAG QTY.	DIMENSIONS			BAG QTY.
	PART NUMBER	F	C	S		PART NUMBER	F	C	
1	WPT1	37mm 1.46	12mm 0.79	3mm 0.12	50	CPT1	35mm 1.38	7mm 0.28	50
2	WPT2	55mm 2.17	14mm 0.55	5mm 0.20	50	CPT2	52mm 2.05	9mm 0.35	50
3	WPT3	70mm 2.76	14mm 0.55	5mm 0.20	50	CPT3	66mm 2.60	9mm 0.35	50
4	WPT4	85mm 3.35	14mm 0.55	5mm 0.20	25	CPT4	81mm 3.19	9mm 0.35	25
5	WPT5	110mm 4.33	14mm 0.55	5mm 0.20	25	CPT5	105mm 4.13	9mm 0.35	25

Safety Plate



Multiple Weld Plate

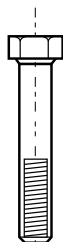


GROUP	DIMENSIONS				DIMENSIONS				CLAMPS PER PLATE
	PART NUMBER	F	C	X	PART NUMBER	F	C	S	
1	SPT1	30mm 1.18"	30mm 1.18"	11mm 0.43"	MWPT1	200mm 7.87"	40mm 1.57"	3mm 0.12"	5
2	SPT2	30mm 1.18"	30mm 1.18"	13mm 0.51"	MWPT2	290mm 11.42"	58mm 2.28"	5mm 0.20"	5
3	SPT3	30mm 1.18"	30mm 1.18"	13mm 0.51"	MWPT3	360mm 14.17"	72mm 2.83"	5mm 0.20"	5
4	SPT4	30mm 1.18"	30mm 1.18"	13mm 0.51"	MWPT4	450mm 17.72"	90mm 3.54"	5mm 0.20"	5
5	SPT5	30mm 1.18"	30mm 1.18"	13mm 0.51"	MWPT5	560mm 22.05"	112mm 4.41"	5mm 0.20"	5

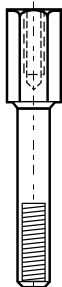
Dimensions provided are for reference only.

Twin Series

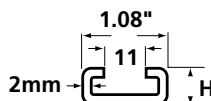
Components



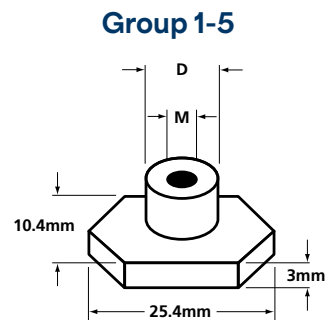
Hex Head Bolt



Stacking Bolt



Mounting Rail



Rail Nut

GROUP	PART NUMBER		PART NUMBER		PART NUMBER	
	PART NUMBER SIZE	PART NUMBER SIZE	HEIGHT H	LENGTH L	M	D
1	HB2/T1 1/4" - 20 x 13/8"	SBT/1 1/4" - 20 x .79"	MR-11-2 11mm	2m 6.56	RNS/T1 1/4" - 20	12mm 0.47"
	-	-	0.43		-	-
2	HBT/2 5/16" - 18 x 13/8"	SBT/2 5/16" - 18 x .79"	MR-11-2 11mm	2m 6.56	RNT2/5 5/16" - 18	14mm 0.55"
	-	-	0.43			
3	HBT/3 5/16" - 18 x 13/4"	SBT/3 5/16" - 18 x 1.14"	MR-11-2 11mm	2m 6.56		
	-	-	0.43			
4	HBT/4 5/16" - 18 x 2"	SBT/4 5/16" - 18 x 1.34"	MR-11-2 11mm	2m 6.56		
	-	-	0.43			
5	HBT/5 5/16" - 18 x 2 1/2"	SBT/5 5/16" - 18 x 1.85"	MR-11-2 11mm	2m 6.56		
	-	-	0.43			

Dimensions provided are for reference only.

Heavy Duty Clamps

Ordering Example



Features

- Meets DIN 3015-2 specifications
- Interchangeable with:
 - Stauff
 - ZSI
 - Behringer

Temp. Rating

- Polypropylene: -22°F to 195°F
- Aluminum: -40°F to 570°F

AH3 - 33.7 - A

CLAMP SET MATERIAL

Polypropylene (Green) A
Aluminum L

GROUP SIZE

Refer to Charts on Pages 83-84

CLAMP SET ID

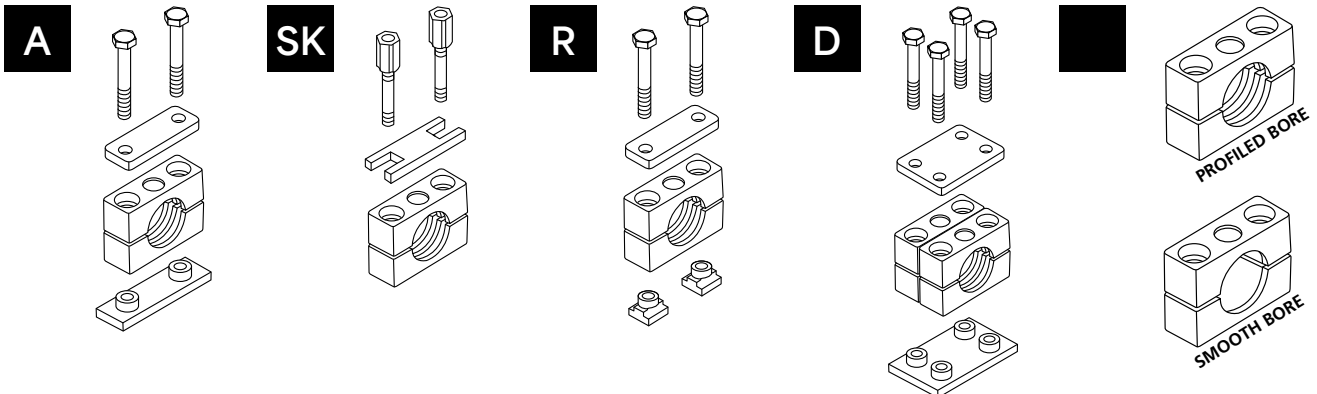
Refer to Charts on Pages 83-84

DESCRIPTION

- A** Clamp with Weld Plate, Cover Plate and Bolts
- SK** Clamp with Stacking Kit
- R** Clamp with Rail Nuts, Cover Plate and Bolts
- D** Double Clamp with Weld Plate, Cover Plate and Bolts
- Clamp Set Only

CLAMP SET BORE

Pipe and tube clamp sizes have a profiled bore. For hose and special applications add "H" to the part number for a smooth bore.

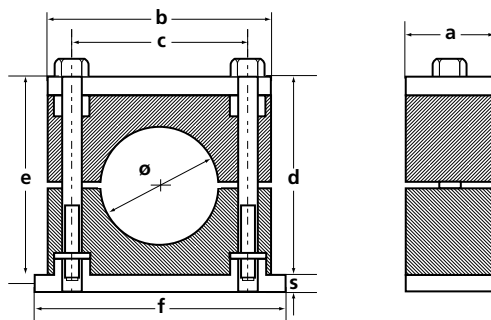


❶ Not available in all sizes. Contact PCI for availability.

Dimensions provided are for reference only.

Heavy Duty

Sizes and Dimensions - Group 1-4



PCI DIN		DIAMETER					DIMENSIONS							BAG/ QTY.
GROUP	GROUP	Ø	—	PIPE NOMINAL BORE	—	COMPLETE ASSEMBLY PART #	A	B	C	D	F	S	E	BAG QTY.
		mm	Inch		TUBE O.D.									
1	1	6.4	0.25	—	1/4"	AH1-6.4-A	30mm 1.18"	55mm 2.17"	33mm 1.30"	32mm 1.26"	73mm 2.87"	8mm 0.31"	48mm 1.89"	25
		8	0.31	—	5/16"	AH1-08-A								
		9.5	0.37	—	3/8"	AH1-9.5-A								
		10	0.39	1/8"	—	AH1-10-A								
		12	0.47	—	—	AH1-12H-A								
		12.7	0.50	—	1/2"	AH1-12.7-A								
		13.5	0.53	1/4"	—	AH1-13.5-A †								
		14	0.55	—	—	AH1-14H-A †								
		15	0.59	—	—	AH1-15H-A †								
		16	0.63	—	5/8"	AH1-16-A †								
17.2	0.68	3/8"	—	AH1-17.2-A										
18	0.71	—	—	AH1-18H-A †										
2	2	19	0.75	—	3/4"	AH2-19-A	30mm 1.18"	70mm 2.76"	45mm 1.77"	48mm 1.89"	85mm 3.35"	8mm 0.31"	76mm 2.52"	25
		20	0.79	—	—	AH2-20H-A								
		21.3	0.84	1/2"	—	AH2-21.3-A								
		22	0.87	—	7/8"	AH2-22-A †								
		25	0.98	—	—	AH2-25H-A								
		25.4	1.00	—	1"	AH2-25.4-A								
		26.9	1.06	3/4"	—	AH2-26.9-A								
		28	1.10	—	—	AH2-28-A †								
30	1.18	—	—	AH2-30-A †										
3	3	30	1.18	—	—	AH3-30H-A †	30mm 1.18"	85mm 3.35"	60mm 2.36"	100mm 2.36"	30mm 3.94"	8mm 0.31"	76mm 2.99"	25
		32	1.25	—	1 1/4"	AH3-32-A								
		33.7	1.33	1"	—	AH3-33.7-A								
		35	1.38	—	—	AH3-35H-A †								
		38	1.50	—	1 1/2"	AH3-38-A								
		40	1.57	—	—	AH3-40H-A †								
42.4	1.67	1 1/4"	—	AH3-42.4-A										
4	4	38	1.50	—	1 1/2"	AH4-38-A	45mm 1.77"	120mm 4.72"	90mm 3.54"	90mm 3.54"	140mm 5.51"	10mm 0.39"	110mm 4.33"	—
		42	1.65	—	—	AH4-42H-A								
		42.4	1.67	1 1/4"	—	AH4-42.4-A								
		44.5	1.75	—	1 3/4"	AH4-44.5-A								
		48.3	1.90	1 1/2"	—	AH4-48.3-A								
		50	1.97	—	—	AH4-50H-A †								
		50.8	2.0	—	2"	AH4-50.8-A								
		55	2.17	—	—	AH4-55H-A †								
		57	2.24	—	2 1/4"	AH4-57-A †								
		60.3	2.37	2"	—	AH4-60.3-A								
		63.5	2.50	—	2 1/2"	AH4-63.5-A								
65	2.56	—	—	AH4-65H-A †										
70	2.76	—	2 3/4"	AH4-70-A †										

NOTE:

† Not available in aluminum.

• To order a set of inserts only, omit the "A" from the end of the part number.

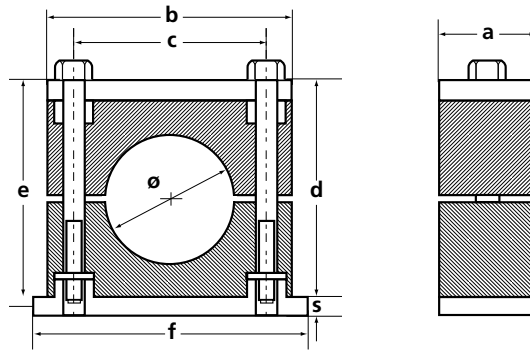
• For aluminum inserts, change prefix "A" to "L".

• "H" in part number designates a smooth bore insert.

Dimensions provided are for reference only.

Heavy Duty

Sizes and Dimensions - Group 5-8



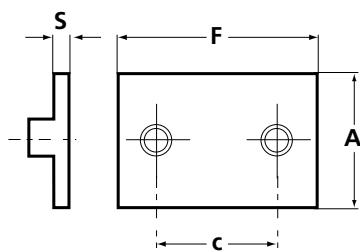
PCI DIN		DIAMETER					DIMENSIONS						
GROUP	GROUP	Ø	Ø	PIPE NOMINAL BORE	TUBE O.D.	PART #	A	B	C	D	F	S	E
5	5	65	2.56	—	—	AH5-65H-A †	60mm 2.38"	152mm 5.98"	122mm 4.80"	120mm 4.72"	180mm 7.09"	10mm 0.39"	140mm 5.51"
		70	2.76	—	2 3/4"	AH5-70-A †							
		75	2.95	—	—	AH5-75H-A †							
		76.1	3.00	2 1/2"	3"	AH5-76.1-A							
		80	3.15	—	—	AH5-80H-A †							
		82.5	3.25	—	3 1/4"	AH5-82.5-A †							
88.9	3.50	3"	3 1/2"	AH5-88.9-A	80mm 3.15"	205mm 8.07"	168mm 6.61"	170mm 6.69"	225mm 8.86"	15mm 0.59"	200mm 7.87"		
100	3.94	—	—	AH6-100H-A									
101.6	4.00	3 1/2"	4"	AH6-101.6-A									
108	4.25	—	4 1/4"	AH6-108-A									
114.3	4.50	4"	4 1/2"	AH6-114.3-A									
127	5.00	4 1/2"	5"	AH6-127-A								90mm 3.54"	250mm 9.84"
133	5.25	—	5 1/4"	AH7-133-A									
139.7	5.50	5"	5 1/2"	AH7-139.7-A									
152.4	6.00	5 1/2"	6"	AH7-152.4-A									
168.3	6.63	6"	—	AH7-168.3-A	120mm 4.72"	320mm 12.60"	265mm 10.43"	270mm 10.63"	340mm 13.39"	25mm 0.98"	320mm 12.60"		
168.3	6.63	6"	—	AH8-168.3-A									
8	8	219.1	8.63	8"	—	AH8-219-A							

NOTE:

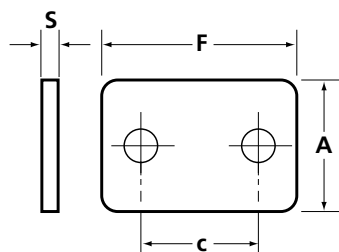
† Not available in aluminum.

- To order a set of inserts only, omit the "A" from the end of the part number.
- For aluminum inserts, change prefix "A" to "L".
- Aluminum inserts available through Group 5 only.

Heavy Duty Components

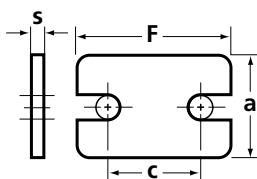


Weld Plate



Cover Plate

GROUP	PART NUMBER	DIMENSIONS				BAG QTY.	PART NUMBER	DIMENSIONS				BAG QTY.
		A	F	C	S			A	F	C	S	
1	WPH1	30mm 1.18"	75mm 2.95"	33mm 1.30"	8mm 0.31"	25	CPH1	30mm 1.18"	55mm 2.17"	33mm 1.30"	8mm 0.31"	25
2	WPH2	30mm 1.18"	87mm 3.43"	45mm 1.77"	8mm 0.31"	25	CPH2	30mm 1.18"	70mm 2.76"	45mm 1.77"	8mm 0.31"	25
3	WPH3	30mm 1.18"	102mm 4.02"	60mm 2.36"	8mm 0.31"	25	CPH3	30mm 1.18"	85mm 3.35"	60mm 2.36"	8mm 0.31"	25
4	WPH4	45mm 1.77"	140mm 5.51"	90mm 3.54"	10mm 0.39"	-	CPH4	45mm 1.77"	120mm 4.72"	90mm 3.54"	10mm 0.39"	-
5	WPH5	60mm 2.36"	180mm 7.09"	122mm 4.80"	10mm 0.39"	-	CPH5	60mm 2.36"	152mm 5.98"	122mm 4.80"	10mm 0.39"	-
6	WPH6	80mm 3.15"	225mm 8.86"	168mm 6.61"	15mm 0.59"	-	CPH6	80mm 3.15"	205mm 8.07"	168mm 6.61"	15mm 0.59"	-
7	WPH7	90mm 3.54"	270mm 10.63"	205mm 8.07"	15mm 0.59"	-	CPH7	90mm 3.54"	250mm 9.84"	205mm 8.07"	15mm 0.59"	-
8	WPH8	120mm 4.72"	340mm 13.39"	265mm 10.43"	25mm 0.98"	-	CPH8	120mm 4.72"	320mm 12.60"	265mm 10.43"	25mm 0.98"	-

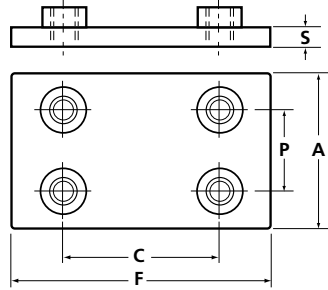


Safety Plate

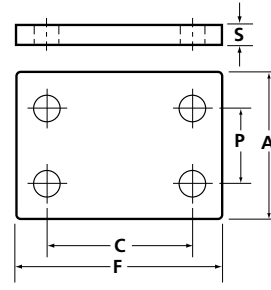
GROUP	PART NUMBER	DIMENSIONS			
		A	F	C	S
1	SPH1	30mm 1.18"	55mm 2.17"	33mm 1.30"	8mm 0.31"
2	SPH2	30mm 1.18"	70mm 2.76"	45mm 1.77"	8mm 0.31"
3	SPH3	30mm 1.18"	85mm 3.35"	60mm 2.36"	8mm 0.31"
4	SPH4	45mm 1.77"	120mm 4.72"	90mm 3.54"	10mm 0.39"
5	SPH5	60mm 2.36"	152mm 5.98"	122mm 4.80"	10mm 0.39"

Dimensions provided are for reference only.

Heavy Duty Components

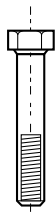


Double Weld Plate



Double Cover Plate

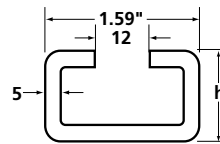
GROUP	PART NUMBER	DIMENSIONS					PART NUMBER	DIMENSIONS				
		A	F	S	C	P		A	F	S	C	P
1	WPHD1	60mm 2.36"	74mm 2.91"	8mm 0.31"	33mm 1.30"	31mm 1.22"	CPHD1	60mm 2.36"	56mm 2.20"	8mm 0.31"	33mm 1.30"	31mm 1.22"
2	WPHD2	60mm 2.36"	85mm 3.39"	8mm 0.31"	45mm 1.77"	31mm 1.22"	CPHD2	60mm 2.36"	70mm 2.76"	8mm 0.31"	45mm 1.77"	31mm 1.22"
3	WPHD3	60mm 2.36"	100mm 3.94"	8mm 0.31"	60mm 2.36"	31mm 1.22"	CPHD3	60mm 2.36"	85mm 3.35"	8mm 0.31"	60mm 2.36"	31mm 1.22"
4	WPHD4	90mm 3.54"	140mm 5.51"	10mm 0.39"	90mm 3.54"	46mm 1.81"	CPHD4	90mm 3.54"	116mm 4.57"	10mm 0.39"	90mm 3.54"	46mm 1.81"
5	WPHD5	120mm 4.72"	160mm 7.09"	10mm 0.39"	122mm 4.80"	61mm 2.40"	CPHD5	120mm 4.72"	153mm 6.02"	10mm 0.39"	122mm 4.80"	61mm 2.40"



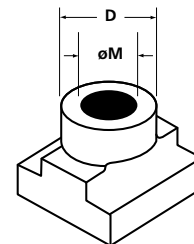
Hex Head Bolt



Stacking Bolt



Mounting Rail



Rail Nut

GROUP	PART NUMBER SIZE	PART NUMBER SIZE	PART NUMBER		PART NUMBER	
			HEIGHT H	LENGTH L	M	D
1	HBH1 3/8" - 16 x 13/4"	SBH1 3/8" - 16 x 1.02"	MRH-2 22mm 0.87		RNH1/3 3/8" - 16 18 0.71	
2	HBH2 3/8" - 16 x 21/4"	SBH2 3/8" - 16 x 1.61"	—	—	RNH1/3 3/8" - 16 18 0.71	
3	HBH3 3/8" - 16 x 23/4"	SBH3 3/8" - 16 x 2.05"	—	—	RNH1/3 3/8" - 16 18 0.71	
4	HBH4 7/16" - 14 x 4"	SBH4 7/16" - 14 x 3.27"	—	—	RNH4 7/16" - 14 20 0.79	
5	HBH5 5/8" - 11 x 51/4"	SBH5 5/8" - 11 x 4.33"	—	—	—	
6	HBH6 3/4" - 10 x 71/2"	—	—	—	—	
7	HBH7 7/8" - 9 x 81/2"	—	—	—	—	
8	HBH8 1 1/8" - 7 x 12"	—	—	—	—	

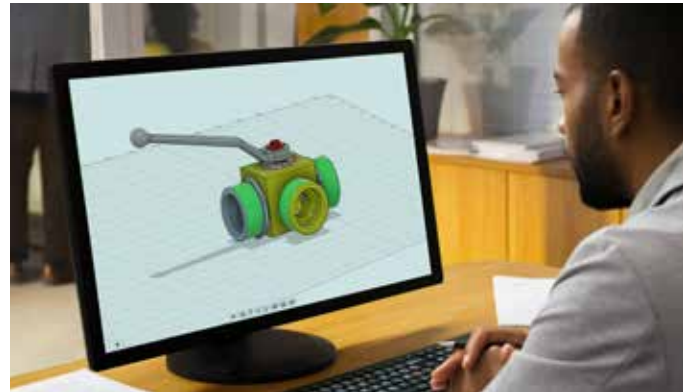
Dimensions provided are for reference only.

Value Added Service Partner

*You define it.
We provide it!*

✓ Custom engineered products

Get your customers exactly what their system needs with components designed to your specs and built to handle their environment.



✓ Sub-assembled kits

Save time and reduce errors with kits pre-built to your specs. Each kit is quality-checked, clearly labeled, and ready to install.



✓ Branded bagging and tagging

Put your brand front and center with custom packaging and kitting, giving your customers a clean, professional experience.



✓ Industry-leading turnaround time

Deliver under pressure and keep your customers' projects on schedule with fast, reliable fulfillment from a responsive team.



We Are Who We've Always Been

The Values That Built Us

PCI Hydraulics+ began in 1985 as a small, service-first operation with a simple goal: **to be there when our customers needed us.**

Over the years, we've grown into a trusted global partner in hydraulic and fluid power components. Today, we help OEMs, distributors, and service shops stay responsive with same-day fulfillment, global sourcing, and a team that's personally invested in your success.

While our business looks different today than it did in 1985, the heart of PCI is, and has always been, service and relationships. Our simple, founding goal has led to decades-long partnerships with manufacturers, technology partners, and customers—relationships that have stayed strong because we've stayed true to the values we started with.

A lot can change in 40 years, but some things shouldn't. No matter how the industry evolves or how many years go by, we'll always be a partner our customers can rely on. One who helps you strengthen your own customer relationships through friendly service, fast delivery, and reliable access to high-quality hydraulic components.



Terms and Conditions

Pressure Components Inc. (herein called "PCI" warrants the products described in this catalog to be free from defects in material and workmanship for a period of (1) year from date of shipment by PCI under normal use and service.

PCI's sole obligation under this warranty being limited to repairing or replacing, at it's option, any product found to PCI's satisfaction to be defective upon examination. The repair or replacement of any defective product will be made without charge for parts or labor.

This warranty shall not apply to: (a) parts or products that have been subject to abuse, negligence or misapplication. (b) parts that have been added to the original product, such as but not limited to fittings, bushings and reducers, and were not an original part of the product originally provided. (c) parts that have been altered or repaired by someone other than PCI.

To the extent permitted by law, this limited warranty shall extend only to the buyer and any other person reasonably expected to use or consume the goods who may become injured by any breach of said warranty. No action may be brought against PCI for an alleged breach of warranty unless such action is instituted within one (1) year from the date of the cause of action accrues.

Other than the obligation of PCI set forth herein, PCI disclaims all warranties, expressed or implied, including but not limited to any implied warranties of merchantability or fitness for a particular purpose, and any other obligation or liability. The foregoing constitutes PCI's sole obligation with respect to damages, whether direct, incidental or consequential, resulting from the use or performance of the product.

Product dimension, performance, characteristics or material properties are subject to change without notice.

Payment: Net minimum billing \$25.00

Net 30 day terms will apply after credit has been established. Automatic C.O.D. if credit terms are not met. We accept most major credit cards. Pricing subject to change without notice.

Returned Goods

All returns MUST be assigned an RGA number, The RGA number must appear on all paperwork. If any product is being returned for any other reason than product defect, a 20% restocking charge will be deducted from the credit. Products being returned for credit must be in re-saleable condition and the freight must be prepaid. Credit balances can be offset by material purchases only. Any credit issued by PCI must be used within a 6 month period from date it was issued. Cash payments are NOT ALLOWED under any circumstances.

Insurance

PCI carries product liability insurance and will provide a copy at your request.

Billing or Shipping errors

Errors in shipping or billing must be reported within 10 days of receipt of order.

Special Orders

Special orders are non-cancelable and non-returnable. Products that are considered "special" will be noted on all order confirmations.

Shipping

All shipments are FOB origin.



W A R N I N G

Products in this catalog can cause serious injury to equipment and persons if not used properly. Never exceed rated pressures stated in the PCI catalog. Stated working pressures are rated in p.s.i. Inspect products on a regular basis while in service. Products in this catalog are used in thousands of applications in varying situations. It is not possible for us to warranty the use of a specific product for a singular application. The user is responsible for selecting, installing and testing the final configuration to insure that all performance, safety and warning requirements are met.



EST 1985

PCI

HYDRAULICS+

Fast. Friendly. Reliable.

5201 Naiman Parkway, Suite C • Solon • OH • 44139

www.pcihydraulics.com • PHONE: 440.349.4020 • FAX: 440.349.3653

EMAIL: sales@pcihydraulics.com • ORDERS: ordersonly@pcihydraulics.com