

# Standard Series Clamps

## Ordering Example

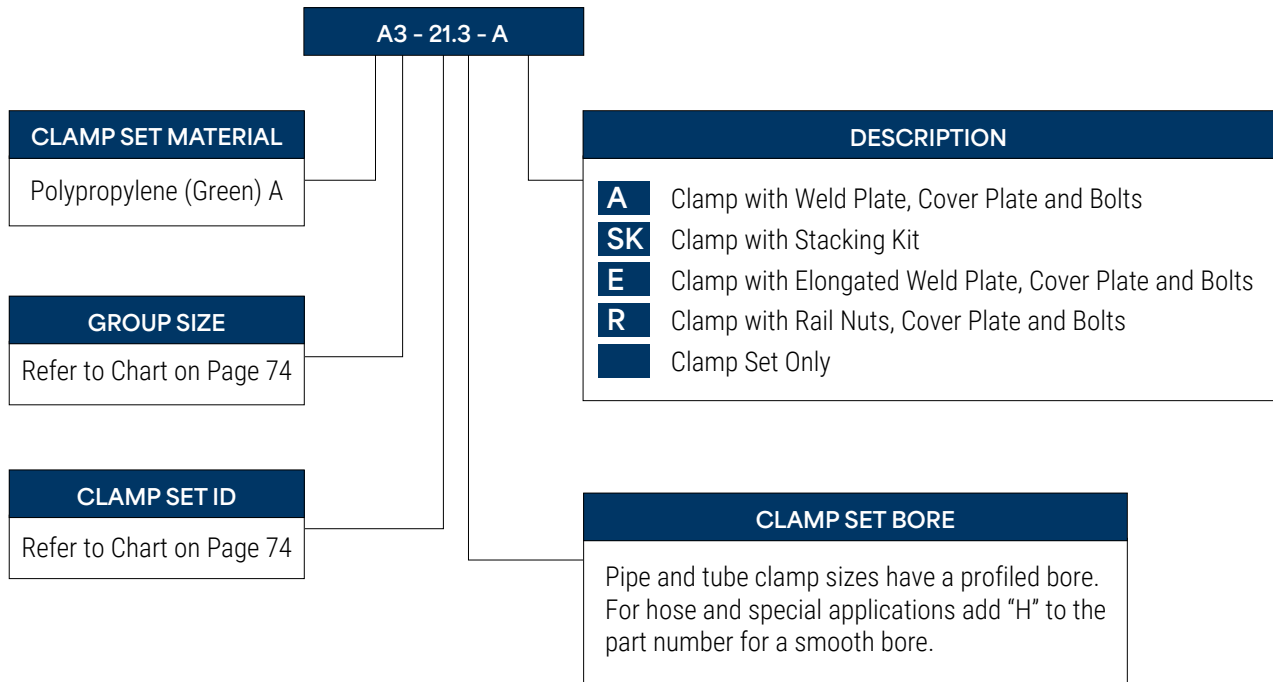


### Features

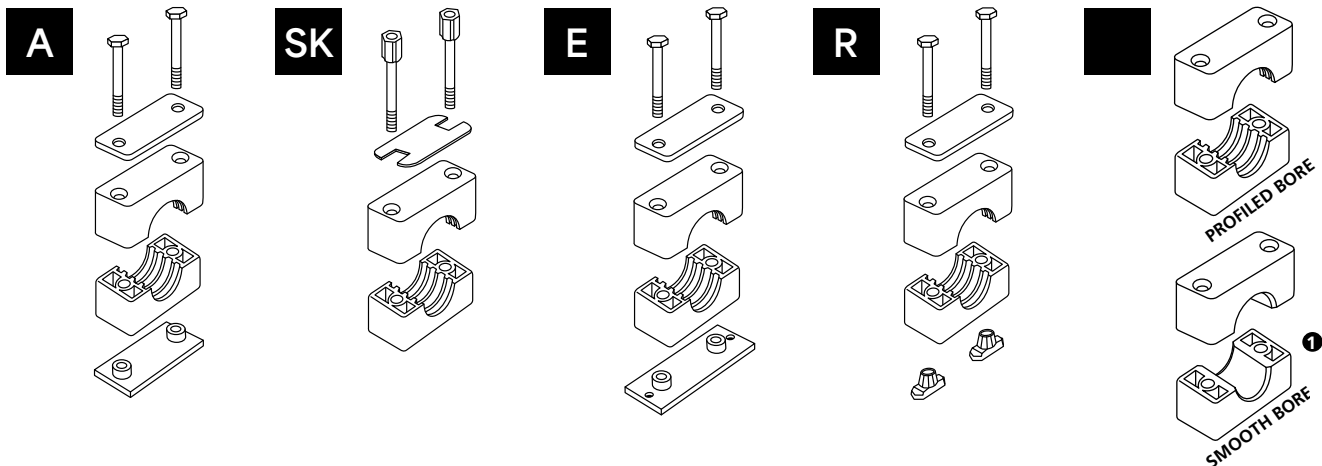
- Meets DIN 3015-1 specifications
- Interchangeable with:
  - Stauff
  - ZSI
  - Behringer

### Temp. Rating

- -22°F to 195°F

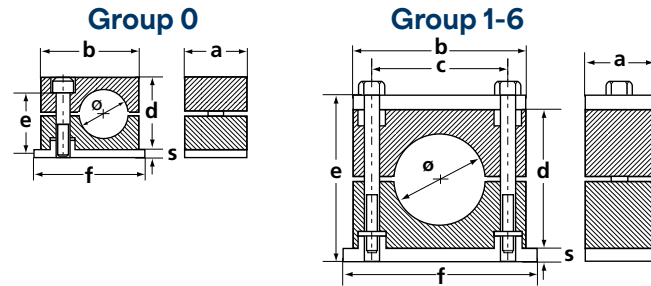


\*\*\*S" Prefix = Stainless Steel Hardware



# Standard Series

## Sizes and Dimensions



PCI	DIN	DIAMETER				DIMENSIONS							BAG/QTY.	
GROUP	GROUP	Ø	PIPE NOMINAL	TUBE BORE	COMPLETE ASSEMBLY PART #	A	B	C	D	F	S	E	BAG QTY.	
														mm
0	0	6	0.24	—	—	A0-06H-A	30mm	28mm	—	27mm	32mm	3mm	33mm	50
		8	0.31	—	5/16"	A0-08-A	1.18"	1.10"	—	1.06"	1.26"	0.12"	1.30"	
		10	0.39	1/8"	—	A0-10-A								
		12	0.47	—	—	A0-12H-A								
1	1	6	0.24	—	—	A1-06H-A	30mm	34mm	20mm	27mm	42mm	3mm	33mm	50
		6.4	0.25	—	1/4"	A1-6.4-A*								
		8	0.31	—	5/16"	A1-08-A								
		9.5	0.37	—	3/8"	A1-9.5-A								
		10	0.39	1/8"	—	A1-10-A								
2	2	12	0.47	—	—	A1-12H-A							50	
		12.7	0.50	—	1/2"	A2-12.7-A*								
		13.5	0.53	1/4"	—	A2-13.5-A*								
		14	0.55	—	—	A2-14H-A								
		15	0.59	—	—	A2-15H-A	30mm	40mm	26mm	33mm	48mm	3mm		39mm
		16	0.63	—	5/8"	A2-16-A*	1.18"	1.57"	1.02"	1.30"	1.89"	0.12"		1.54"
		17.2	0.67	3/8"	—	A2-17.2-A*								
3	3	18	0.71	—	—	A2-18H-A							50	
		19	0.75	—	—	A2-19H-A								
		19	0.75	—	3/4"	A3-19-A*								
		20	0.79	—	—	A3-20H-A								
		21.3	0.84	1/2"	—	A3-21.3-A*	30mm	45mm	33mm	35mm	55mm	3mm		41mm
4	4	22	0.87	—	7/8"	A3-22-A	1.18"	1.69"	1.30"	1.38"	2.17"	0.12"	1.61"	25
		25	0.98	—	—	A3-25H-A								
		25.4	1.00	—	1"	A3-25.4-A*								
		26.9	1.06	3/4"	—	A4-26.9-A*								
5	5	28	1.10	—	—	A4-28H-A*	30mm	57mm	40mm	42mm	62mm	3mm	48mm	25
		30	1.18	—	—	A4-30H-A	1.18"	2.24"	1.57"	1.65"	2.44"	0.12"	1.89"	
		32	1.25	—	1 1/4"	A4-32-A*								
		32	1.25	—	1 1/4"	A5-32-A								
6	6	33.7	1.33	1"	—	A5-33.7-A							25	
		35	1.38	—	—	A5-35H-A*								
		38	1.50	—	1 1/2"	A5-38-A*	30mm	68mm	52mm	58mm	74mm	3mm		64mm
		40	1.57	—	—	A5-40H-A	1.18"	2.68"	2.05"	2.28"	2.91"	0.12"		2.52"
		42	1.65	—	—	A5-42H-A								
		42.4	1.67	1 1/4"	—	A5-42.4-A*								
6	6	45	1.77	—	—	A5-45H-A							25	
		44.5	1.75	—	1 3/4"	A6-44.5-A	30mm	86mm	66mm	66mm	88mm	3mm		77mm
		48.3	1.90	1 1/2"	—	A6-48.3-A*	1.18"	3.39"	2.60"	2.60"	3.46"	0.12"		2.83"
		50.8	2.00	—	2"	A6-50.8-A								

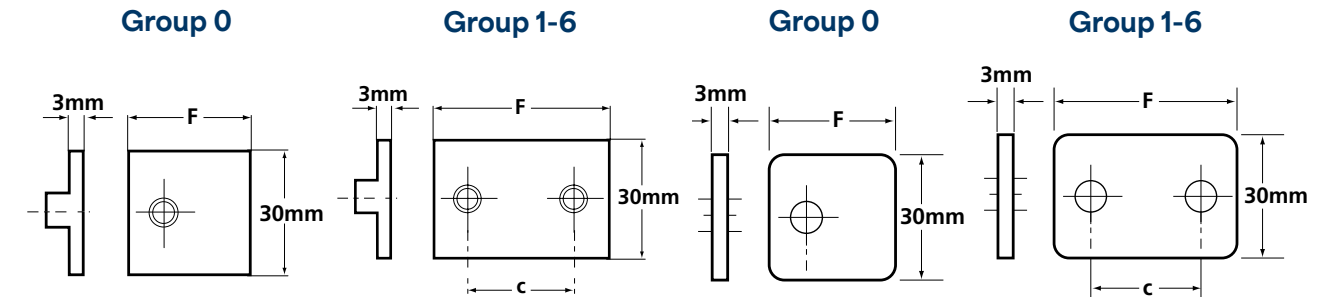
Add "S" prefix for stainless steel hardware when ordering a complete clamp assembly. To order a set of inserts only, omit the "A" from the end of the part number.

\*Available in black. Add "B" prefix to part number.

NOTE: "H" in part number designates a smooth bore insert.

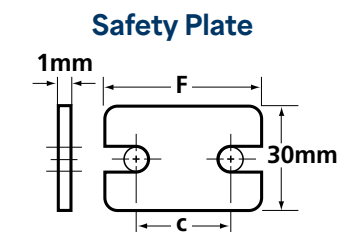
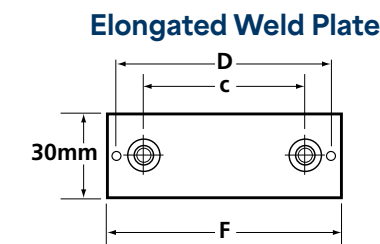
# Standard Series

## Components



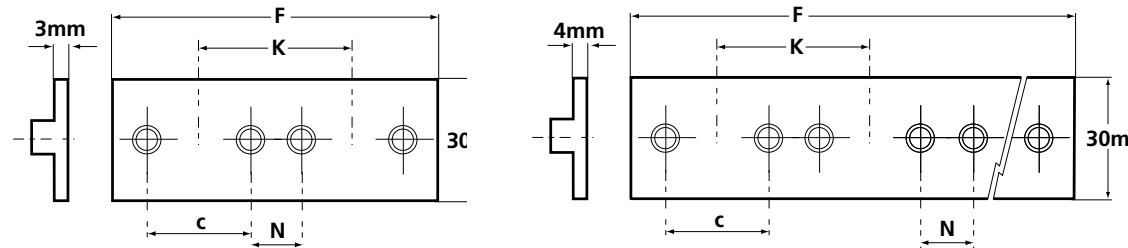
GROUP	Weld Plate				Cover Plate			
	PART NUMBER	DIMENSIONS		BAG QTY.	PART NUMBER	DIMENSIONS		BAG QTY.
		F	C			F	C	
0	WP0	32mm 1.28"	—	50	CP0	28mm 1.10"	—	50
1	WP1	42mm 1.65"	20mm 0.79"	50	CP1	37mm 1.46"	20mm 0.79"	50
2	WP2	48mm 1.89"	26mm 1.02"	50	CP2	43mm 1.69"	26mm 1.02"	50
3	WP3	55mm 2.17"	33mm 1.30"	50	CP3	50mm 1.97"	33mm 1.30"	50
4	WP4	62mm 2.44"	40mm 1.57"	25	CP4	57mm 2.24"	40mm 1.57"	25
5	WP5	74mm 2.91"	52mm 2.05"	25	CP5	69mm 2.72"	52mm 2.05"	25
6	WP6	88mm 3.46"	66mm 2.60"	25	CP6	83mm 3.27"	66mm 2.60"	25

Add "S" prefix for stainless steel hardware.



# Standard Series

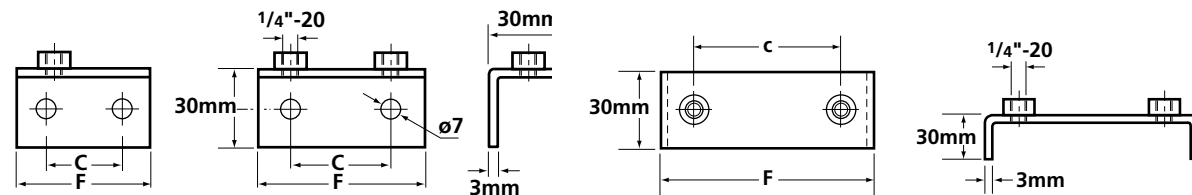
## Components



Double Weld Plate

Multiple Weld Plate

GROUP	PART NUMBER	DIMENSIONS				PART NUMBER	DIMENSIONS				CLAMPS PER PLATE
		F	C	N	K		F	C	N	K	
0	DWP0	61mm 2.40"	—	—	30mm 1.18"	MWP0	309mm 12.2"	—	—	30mm 1.18"	10
1	DWP1	81mm 3.19"	20mm 0.79"	20mm 0.79"	40mm 1.57"	MWP1	368mm 14.5"	20mm 0.79"	20mm 0.79"	40mm 1.57"	10
2	DWP2	91mm 3.58"	26mm 1.02"	18mm 0.71"	44mm 1.73"	MWP2	463mm 18.25"	26mm 1.02"	18mm 0.71"	44mm 1.73"	10
3	DWP3	106mm 4.17"	33mm 1.30"	19mm 0.75"	52mm 2.05"	MWP3	546mm 21.5"	33mm 1.30"	19mm 0.75"	52mm 2.05"	10
4	DWP4	121mm 4.76"	40mm 1.57"	20mm 0.79"	60mm 2.36"	MWP4	304mm 12"	40mm 1.57"	20mm 0.79"	60mm 2.36"	5
5	DWP5	148mm 5.83"	52mm 2.05"	23mm .91"	75mm 2.95"	MWP5	377mm 14.85"	52mm 2.05"	23mm 0.91"	75mm 2.95"	5
6	DWP6	177mm 6.97"	66mm 2.60"	24mm 0.94"	90mm 3.54"	MWP6	445mm 17.5"	66mm 2.60"	24mm 0.94"	90mm 3.54"	5



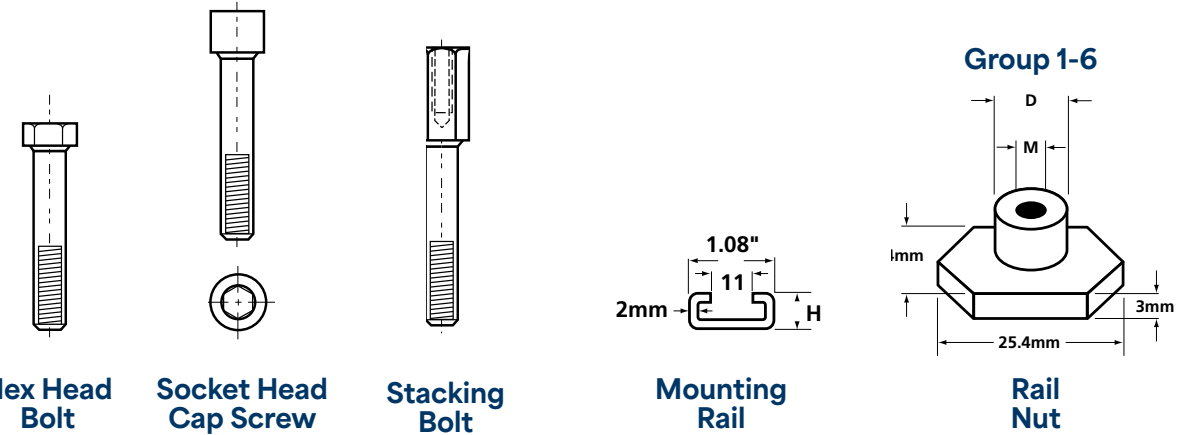
Angled Weld Plate

Bridge Weld Plate

GROUP	DIMENSIONS			DIMENSIONS		
	PART NUMBER	F	C	PART NUMBER	F	C
0	AWP0	32mm 1.26"	14mm 0.55"	—	—	—
1	AWP1	42mm 1.65"	20mm 0.79"	BWP1	48mm 1.89"	20mm 0.79"
2	AWP2	48mm 1.89"	26mm 1.02"	BWP2	54mm 2.13"	26mm 1.02"
3	AWP3	55mm 2.17"	33mm 1.30"	BWP3	62mm 2.44"	33mm 1.30"
4	AWP4	62mm 2.44"	40mm 1.57"	BWP4	71mm 2.80"	40mm 1.57"
5	AWP5	74mm 2.91"	52mm 2.05"	BWP5	85mm 3.35"	52mm 2.05"
6	AWP6	88mm 3.46"	66mm 2.60"	BWP6	98mm 3.86"	66mm 2.60"

# Standard Series

## Components



Hex Head Bolt

Socket Head Cap Screw

Stacking Bolt

Mounting Rail

Rail Nut

GROUP	PART NUMBER SIZE	PART NUMBER SIZE	PART NUMBER			PART NUMBER M	PART NUMBER D
			PART NUMBER SIZE	HEIGHT H	LENGTH L		
0	HB0/1 1/4" - 20 x 11/4"	SC0/1 1/4" - 20 x 3/4"	SB0/1 1/4" - 20 x 3/4"	MR-11-2 11mm 0.43	2m 6.56	RNS/T1 1/4" - 20	12mm 0.47"
1	HB0/1 1/4" - 20 x 11/4"	SC0/1 1/4" - 20 x 3/4"	SB0/1 1/4" - 20 x 3/4"	MR-11-2 11mm 0.43	2m 6.56		
2	HB2 1/4" - 20 x 13/8"	SC2 1/4" - 20 x 1"	SB2 1/4" - 20 x 1"	MR-11-2 11mm 0.43	1m 6.56		
3	HB3 1/4" - 20 x 11/2"	SC3 1/4" - 20 x 11/4"	SB3 1/4" - 20 x 11/4"	MR-11-2 11mm 0.43	2m 6.56		
4	HB4 1/4" - 20 x 13/4"	SC4 1/4" - 20 x 13/8"	SB4 1/4" - 20 x 13/8"	MR-11-2 11mm 0.43	2m 6.56		
5	HB5 1/4" - 20 x 21/2"	SC5 1/4" - 20 x 2"	SB5 1/4" - 20 x 2"	MR-11-2 11mm 0.43	2m 6.56		
6	HB6 1/4" - 20 x 23/4"	SC6 1/4" - 20 x 23/8"	SB6 1/4" - 20 x 23/8"	—	—		

Add "S" prefix for stainless steel hardware.

# Twin Series Clamps

## Ordering Example



### Features

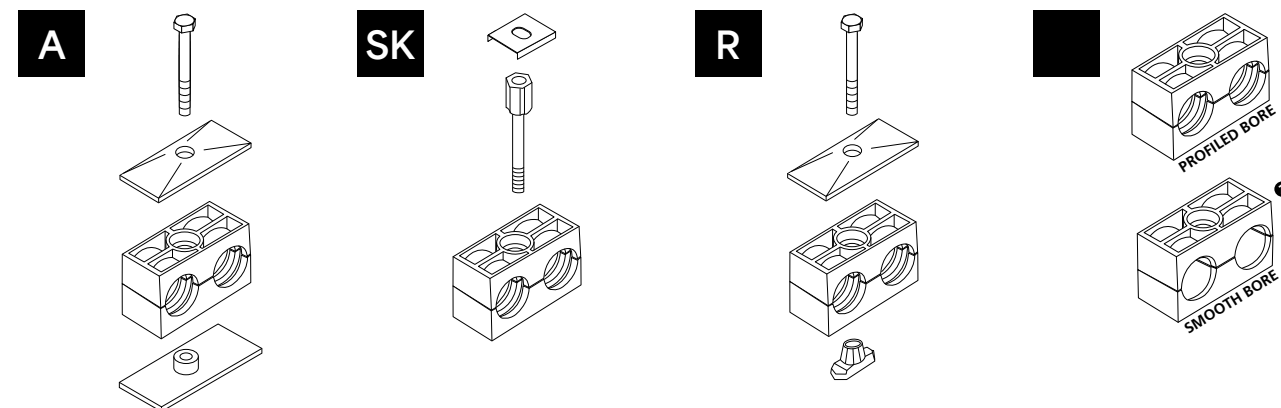
- Meets DIN 3015-3 specifications
- Interchangeable with:
  - Stauff
  - ZSI
  - Behringer

### Temp. Rating

- -22°F to 195°F

**AT4 - 26.9 - A**

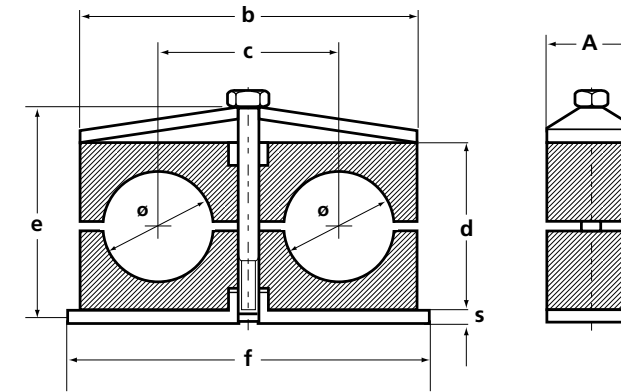
<b>CLAMP SET MATERIAL</b>	<b>DESCRIPTION</b>
Polypropylene (Green) AT	<b>A</b> Clamp with Weld Plate, Cover Plate and Bolts
<b>GROUP SIZE</b>	<b>SK</b> Clamp with Stacking Kit
Refer to Chart on Page 79	<b>R</b> Clamp with Rail Nuts, Cover Plate and Bolts
<b>CLAMP SET ID</b>	<b>■</b> Clamp Set Only
Refer to Chart on Page 79	<b>CLAMP SET BORE</b>
	Pipe and tube clamp sizes have a profiled bore. For hose and special applications add "H" to the part number for a smooth bore.



1 Not available in all sizes. See page 79 for availability.

# Twin Series

## Sizes and Dimensions



PCI DIN		DIAMETER					DIMENSIONS						BAG/ QTY.	
GROUP	GROUP	∅	∅	PIPE NOMINAL BORE	TUBE O.D.	COMPLETE ASSEMBLY PART #	A	B	C	D	F	S	E	BAG QTY.
1	1	6	0.24	—	—	AT1-06H-A	30mm	34mm	20mm	25mm	37mm	3mm	35mm	50
		6.4	1.25	—	1/4"	AT1-6.4-A*								
		8	1.31	—	5/16"	AT1-8-A								
		9.5	0.37	—	3/8"	AT1-9.5-A*								
		10	0.39	1/8"	—	AT1-10-A								
		12	0.47	—	—	AT1-12H-A								
2	2	12.7	0.50	—	1/2"	AT2-12.7-A*	30mm	53mm	29mm	26mm	55mm	5mm	36mm	50
		13.5	0.53	1/4"	—	AT2-13.5-A*								
		14	0.55	—	—	AT2-14H-A								
		15	0.59	—	—	AT2-15H-A								
		16	0.63	—	5/8"	AT2-16-A*								
		17.2	0.67	3/8"	—	AT2-17.2-A*								
3	3	19	0.75	—	3/4"	AT3-19-A*	30mm	67mm	36mm	37mm	70mm	5mm	47mm	50
		20	0.79	—	—	AT3-20H-A								
		21.3	0.84	1/2"	—	AT3-21.3-A*								
		22	0.87	—	7/8"	AT3-22-A*								
		25	0.98	—	—	AT3-25H-A								
		25.4	1.00	—	1"	AT3-25.4-A*								
4	4	26.9	1.06	3/4"	—	AT4-26.9-A	30mm	82mm	45mm	42mm	85mm	5mm	52mm	25
		28	1.10	—	—	AT4-28H-A*								
		30	1.18	—	—	AT4-30-A								
		32	1.25	—	1 1/4"	AT5-32-A*								
5	5	33.7	1.33	1"	—	AT5-33.7-A*	30mm	106mm	56mm	54mm	110mm	5mm	64mm	25
		35	1.38	—	—	AT5-35H-A								
		38	1.50	—	1 1/2"	AT5-38-A								
		40	1.57	—	—	AT5-40H-A								
		42	1.65	—	—	AT5-42H-A								
		42.4	1.67	1 1/4"	—	AT5-42.4-A								

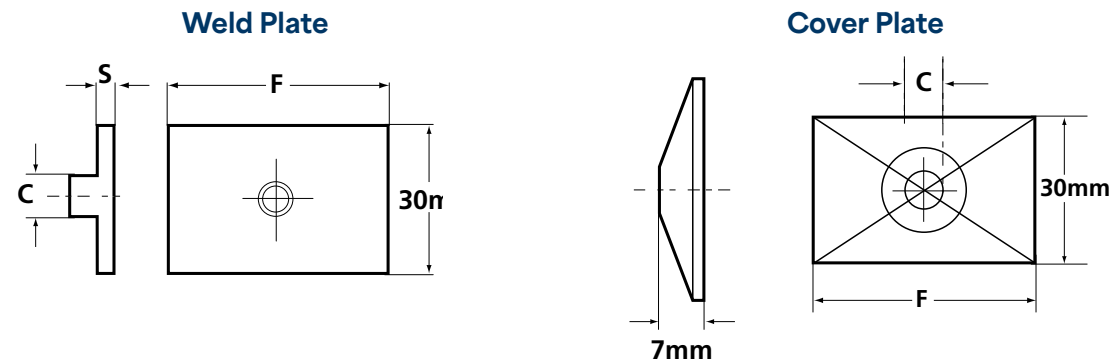
To order a set of inserts only, omit the "A" from the end of the part number.

\*Available in black. Add "B" prefix to part number.

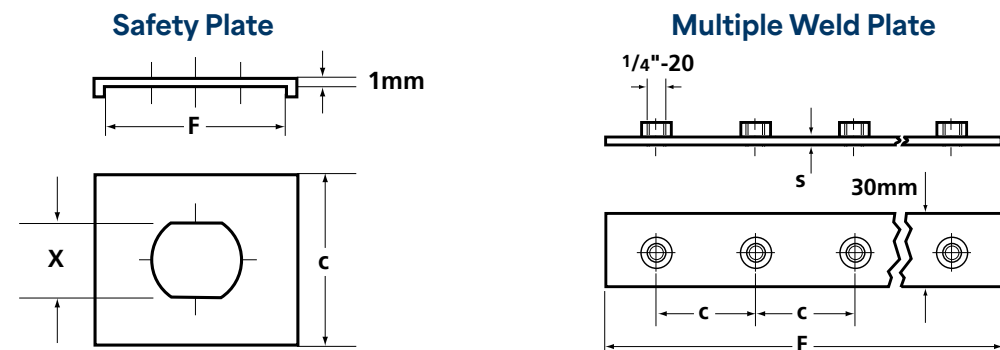
NOTE: "H" in part number designates a smooth bore insert.

# Twin Series

## Components



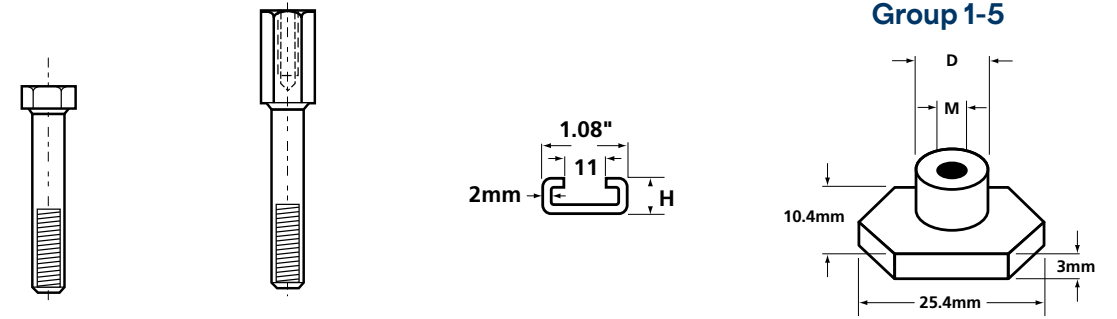
GROUP	DIMENSIONS				BAG QTY.	DIMENSIONS			BAG QTY.
	PART NUMBER	F	C	S		PART NUMBER	F	C	
1	WPT1	37mm 1.46	12mm 0.79	3mm 0.12	50	CPT1	35mm 1.38	7mm 0.28	50
2	WPT2	55mm 2.17	14mm 0.55	5mm 0.20	50	CPT2	52mm 2.05	9mm 0.35	50
3	WPT3	70mm 2.76	14mm 0.55	5mm 0.20	50	CPT3	66mm 2.60	9mm 0.35	50
4	WPT4	85mm 3.35	14mm 0.55	5mm 0.20	25	CPT4	81mm 3.19	9mm 0.35	25
5	WPT5	110mm 4.33	14mm 0.55	5mm 0.20	25	CPT5	105mm 4.13	9mm 0.35	25



GROUP	DIMENSIONS				CLAMPS PER PLATE	DIMENSIONS			CLAMPS PER PLATE	
	PART NUMBER	F	C	X		PART NUMBER	F	C		S
1	SPT1	30mm 1.18"	30mm 1.18"	11mm 0.43"	5	MWPT1	200mm 7.87"	40mm 1.57"	3mm 0.12"	5
2	SPT2	30mm 1.18"	30mm 1.18"	13mm 0.51"	5	MWPT2	290mm 11.42"	58mm 2.28"	5mm 0.20"	5
3	SPT3	30mm 1.18"	30mm 1.18"	13mm 0.51"	5	MWPT3	360mm 14.17"	72mm 2.83"	5mm 0.20"	5
4	SPT4	30mm 1.18"	30mm 1.18"	13mm 0.51"	5	MWPT4	450mm 17.72"	90mm 3.54"	5mm 0.20"	5
5	SPT5	30mm 1.18"	30mm 1.18"	13mm 0.51"	5	MWPT5	560mm 22.05"	112mm 4.41"	5mm 0.20"	5

# Twin Series

## Components



Hex Head Bolt      Stacking Bolt      Mounting Rail      Rail Nut

GROUP	PART NUMBER		HEIGHT H	LENGTH L	PART NUMBER			
	PART NUMBER SIZE	PART NUMBER SIZE			M	D		
1	HB2/T1	SBT/1	11mm	2m	RNS/T1	12mm		
	1/4" - 20 x 13/8"	1/4" - 20 x .79"			1/4" - 20	0.47"		
2	HBT/2	SBT/2	11mm	2m	RNT2/5 5/16" - 18	14mm 0.55"		
	5/16" - 18 x 13/8"	5/16" - 18 x .79"					0.43	6.56
3	HBT/3	SBT/3	11mm	2m			0.43	6.56
	5/16" - 18 x 13/4"	5/16" - 18 x 1.14"						
4	HBT/4	SBT/4	11mm	2m			0.43	6.56
	5/16" - 18 x 2"	5/16" - 18 x 1.34"						
5	HBT/5	SBT/5	11mm	2m	0.43	6.56		
	5/16" - 18 x 2 1/2"	5/16" - 18 x 1.85"						

# Heavy Duty Clamps

## Ordering Example



### Features

- Meets DIN 3015-2 specifications
- Interchangeable with:
  - Stauff
  - ZSI
  - Behringer

### Temp. Rating

- Polypropylene: -22°F to 195°F
- Aluminum: -40°F to 570°F

AH3 - 33.7 - A

#### CLAMP SET MATERIAL

Polypropylene (Green) A  
Aluminum L

#### GROUP SIZE

Refer to Charts on Pages 83-84

#### CLAMP SET ID

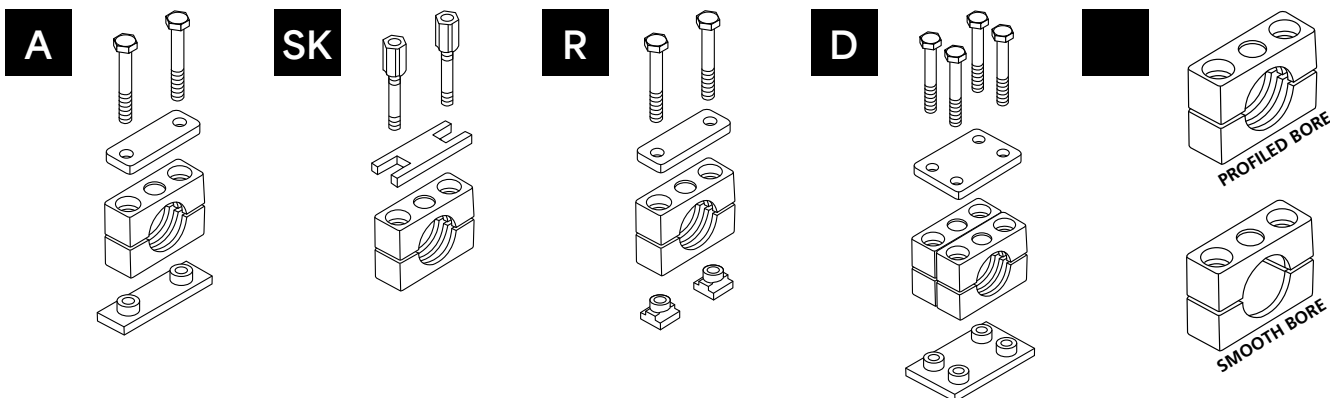
Refer to Charts on Pages 83-84

#### DESCRIPTION

- A** Clamp with Weld Plate, Cover Plate and Bolts
- SK** Clamp with Stacking Kit
- R** Clamp with Rail Nuts, Cover Plate and Bolts
- D** Double Clamp with Weld Plate, Cover Plate and Bolts
- Clamp Set Only

#### CLAMP SET BORE

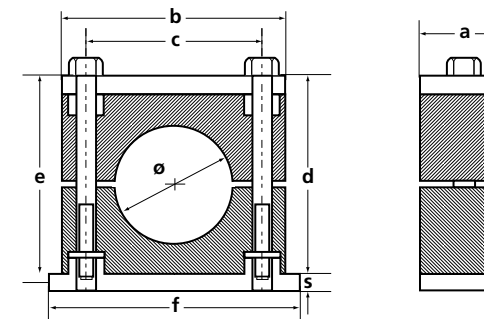
Pipe and tube clamp sizes have a profiled bore.  
For hose and special applications add "H" to the part number for a smooth bore.



ⓘ Not available in all sizes. Contact PCI for availability.

# Heavy Duty

## Sizes and Dimensions - Group 1-4



PCI DIN		DIAMETER					DIMENSIONS						BAG/ QTY.	
GROUP	GROUP	∅	∅	PIPE NOMINAL BORE	TUBE O.D.	COMPLETE ASSEMBLY PART #	A	B	C	D	F	S	E	BAG QTY.
1	1	6.4	0.25	—	1/4"	AH1-6.4-A	30mm 1.18"	55mm 2.17"	33mm 1.30"	32mm 1.26"	73mm 2.87"	8mm 0.31"	48mm 1.89"	25
		8	0.31	—	5/16"	AH1-08-A								
		9.5	0.37	—	3/8"	AH1-9.5-A								
		10	0.39	1/8"	—	AH1-10-A								
		12	0.47	—	—	AH1-12H-A								
		12.7	0.50	—	1/2"	AH1-12.7-A								
		13.5	0.53	1/4"	—	AH1-13.5-A †								
		14	0.55	—	—	AH1-14H-A †								
		15	0.59	—	—	AH1-15H-A †								
		16	0.63	—	5/8"	AH1-16-A †								
17.2	0.68	3/8"	—	AH1-17.2-A										
18	0.71	—	—	AH1-18H-A †										
2	2	19	0.75	—	3/4"	AH2-19-A	30mm 1.18"	70mm 2.76"	45mm 1.77"	48mm 1.89"	85mm 3.35"	8mm 0.31"	76mm 2.52"	25
		20	0.79	—	—	AH2-20H-A								
		21.3	0.84	1/2"	—	AH2-21.3-A								
		22	0.87	—	7/8"	AH2-22-A †								
		25	0.98	—	—	AH2-25H-A								
		25.4	1.00	—	1"	AH2-25.4-A								
		26.9	1.06	3/4"	—	AH2-26.9-A								
		28	1.10	—	—	AH2-28-A †								
30	1.18	—	—	AH2-30-A †										
3	3	30	1.18	—	—	AH3-30H-A †	30mm 1.18"	85mm 3.35"	60mm 2.36"	100mm 2.36"	30mm 3.94"	8mm 0.31"	76mm 2.99"	25
		32	1.25	—	1 1/4"	AH3-32-A								
		33.7	1.33	1"	—	AH3-33.7-A								
		35	1.38	—	—	AH3-35H-A †								
		38	1.50	—	1 1/2"	AH3-38-A								
		40	1.57	—	—	AH3-40H-A †								
		42.4	1.67	1 1/4"	—	AH3-42.4-A								
4	4	38	1.50	—	1 1/2"	AH4-38-A	45mm 1.77"	120mm 4.72"	90mm 3.54"	90mm 3.54"	140mm 5.51"	10mm 0.39"	110mm 4.33"	—
		42	1.65	—	—	AH4-42H-A								
		42.4	1.67	1 1/4"	—	AH4-42.4-A								
		44.5	1.75	—	1 3/4"	AH4-44.5-A								
		48.3	1.90	1 1/2"	—	AH4-48.3-A								
		50	1.97	—	—	AH4-50H-A †								
		50.8	2.0	—	2"	AH4-50.8-A								
		55	2.17	—	—	AH4-55H-A †								
		57	2.24	—	2 1/4"	AH4-57-A †								
		60.3	2.37	2"	—	AH4-60.3-A								
		63.5	2.50	—	2 1/2"	AH4-63.5-A								
65	2.56	—	—	AH4-65H-A †										
70	2.76	—	2 3/4"	AH4-70-A †										

To order a set of inserts only, omit the "A" from the end of the part number.

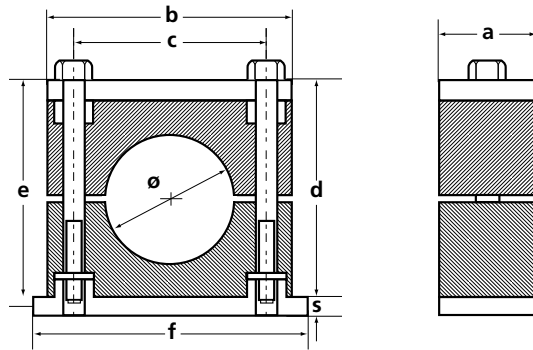
For aluminum inserts, change prefix "A" to "L".

† Not available in aluminum.

NOTE: "H" in part number designates a smooth bore insert.

# Heavy Duty

## Sizes and Dimensions - Group 5-8

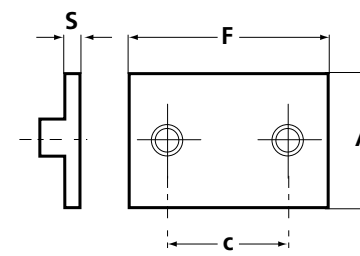


PCI	DIN	DIAMETER					DIMENSIONS						
		Ø	Ø	PIPE NOMINAL BORE	TUBE O.D.	PART #	A	B	C	D	F	S	E
5	5	65	2.56	—	—	AH5-65H-A †	60mm 2.38"	152mm 5.98"	122mm 4.80"	120mm 4.72"	180mm 7.09"	10mm 0.39"	140mm 5.51"
		70	2.76	—	2 3/4"	AH5-70-A †							
		75	2.95	—	—	AH5-75H-A †							
		76.1	3.00	2 1/2"	3"	AH5-76.1-A							
		80	3.15	—	—	AH5-80H-A †							
		82.5	3.25	—	3 1/4"	AH5-82.5-A †							
6	6	88.9	3.50	3"	3 1/2"	AH5-88.9-A	80mm 3.15"	205mm 8.07"	168mm 6.61"	170mm 6.69"	225mm 8.86"	15mm 0.59"	200mm 7.87"
		100	3.94	—	—	AH6-100H-A							
		101.6	4.00	3 1/2"	4"	AH6-101.6-A							
		108	4.25	—	4 1/4"	AH6-108-A							
		114.3	4.50	4"	4 1/2"	AH6-114.3-A							
7	7	127	5.00	4 1/2"	5"	AH6-127-A	90mm 3.54"	250mm 9.84"	205mm 8.07"	200mm 7.87"	2.70mm 10.63"	15mm 0.59"	230mm 9.06"
		133	5.25	—	5 1/4"	AH7-133-A							
		139.7	5.50	5"	5 1/2"	AH7-139.7-A							
		152.4	6.00	5 1/2"	6"	AH7-152.4-A							
8	8	168.3	6.63	6"	—	AH7-168.3-A	120mm 4.72"	320mm 12.60"	265mm 10.43"	270mm 10.63"	340mm 13.39"	25mm 0.98"	320mm 12.60"
		168.3	6.63	6"	—	AH8-168.3-A							
		219.1	8.63	8"	—	AH8-219-A							

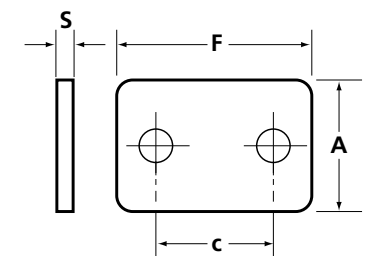
To order a set of inserts only, omit the "A" from the end of the part number.  
 For aluminum inserts, change prefix "A" to "L".  
 Aluminum inserts available through Group 5 only.  
 † Not available in aluminum.

# Heavy Duty

## Components

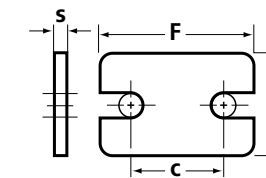


Weld Plate



Cover Plate

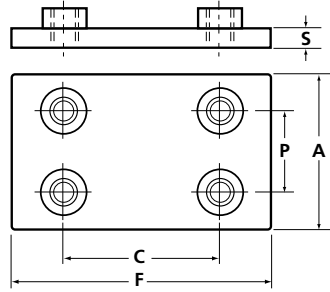
GROUP	PART NUMBER	DIMENSIONS				BAG QTY.	PART NUMBER	DIMENSIONS				BAG QTY.
		A	F	C	S			A	F	C	S	
1	WPH1	30mm 1.18"	75mm 2.95"	33mm 1.30"	8mm 0.31"	25	CPH1	30mm 1.18"	55mm 2.17"	33mm 1.30"	8mm 0.31"	25
2	WPH2	30mm 1.18"	87mm 3.43"	45mm 1.77"	8mm 0.31"	25	CPH2	30mm 1.18"	70mm 2.76"	45mm 1.77"	8mm 0.31"	25
3	WPH3	30mm 1.18"	102mm 4.02"	60mm 2.36"	8mm 0.31"	25	CPH3	30mm 1.18"	85mm 3.35"	60mm 2.36"	8mm 0.31"	25
4	WPH4	45mm 1.77"	140mm 5.51"	90mm 3.54"	10mm 0.39"	—	CPH4	45mm 1.77"	120mm 4.72"	90mm 3.54"	10mm 0.39"	—
5	WPH5	60mm 2.36"	180mm 7.09"	122mm 4.80"	10mm 0.39"	—	CPH5	60mm 2.36"	152mm 5.98"	122mm 4.80"	10mm 0.39"	—
6	WPH6	80mm 3.15"	225mm 8.86"	168mm 6.61"	15mm 0.59"	—	CPH6	80mm 3.15"	205mm 8.07"	168mm 6.61"	15mm 0.59"	—
7	WPH7	90mm 3.54"	270mm 10.63"	205mm 8.07"	15mm 0.59"	—	CPH7	90mm 3.54"	250mm 9.84"	205mm 8.07"	15mm 0.59"	—
8	WPH8	120mm 4.72"	340mm 13.39"	265mm 10.43"	25mm 0.98"	—	CPH8	120mm 4.72"	320mm 12.60"	265mm 10.43"	25mm 0.98"	—



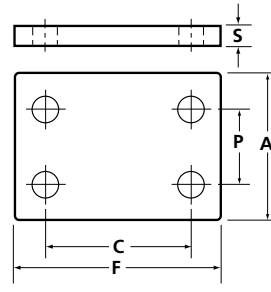
Safety Plate

GROUP	PART NUMBER	DIMENSIONS			
		A	F	C	S
1	SPH1	30mm 1.18"	55mm 2.17"	33mm 1.30"	8mm 0.31"
2	SPH2	30mm 1.18"	70mm 2.76"	45mm 1.77"	8mm 0.31"
3	SPH3	30mm 1.18"	85mm 3.35"	60mm 2.36"	8mm 0.31"
4	SPH4	45mm 1.77"	120mm 4.72"	90mm 3.54"	10mm 0.39"
5	SPH5	60mm 2.36"	152mm 5.98"	122mm 4.80"	10mm 0.39"

# Heavy Duty Components

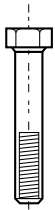


**Double Weld Plate**

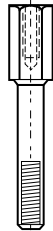


**Double Cover Plate**

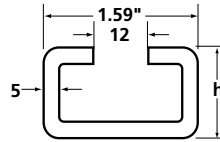
GROUP	PART NUMBER	DIMENSIONS					PART NUMBER	DIMENSIONS				
		A	F	S	C	P		A	F	S	C	P
1	WPHD1	60mm 2.36"	74mm 2.91"	8mm 0.31"	33mm 1.30"	31mm 1.22"	CPHD1	60mm 2.36"	56mm 2.20"	8mm 0.31"	33mm 1.30"	31mm 1.22"
2	WPHD2	60mm 2.36"	85mm 3.39"	8mm 0.31"	45mm 1.77"	31mm 1.22"	CPHD2	60mm 2.36"	70mm 2.76"	8mm 0.31"	45mm 1.77"	31mm 1.22"
3	WPHD3	60mm 2.36"	100mm 3.94"	8mm 0.31"	60mm 2.36"	31mm 1.22"	CPHD3	60mm 2.36"	85mm 3.35"	8mm 0.31"	60mm 2.36"	31mm 1.22"
4	WPHD4	90mm 3.54"	140mm 5.51"	10mm 0.39"	90mm 3.54"	46mm 1.81"	CPHD4	90mm 3.54"	116mm 4.57"	10mm 0.39"	90mm 3.54"	46mm 1.81"
5	WPHD5	120mm 4.72"	160mm 7.09"	10mm 0.39"	122mm 4.80"	61mm 2.40"	CPHD5	120mm 4.72"	153mm 6.02"	10mm 0.39"	122mm 4.80"	61mm 2.40"



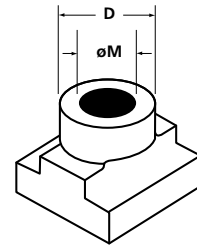
**Hex Head Bolt**



**Stacking Bolt**



**Mounting Rail**



**Rail Nut**

GROUP	PART NUMBER SIZE	PART NUMBER SIZE	PART NUMBER		PART NUMBER	
			HEIGHT H	LENGTH L	M	D
1	HBH1 3/8" - 16 x 13/4"	SBH1 3/8" - 16 x 1.02"	MRH-2		RNH1/3	
			22mm 0.87	2m 6.56'	- 3/8" - 16	18 0.71
2	HBH2 3/8" - 16 x 21/4"	SBH2 3/8" - 16 x 1.61"	-	-	RNH1/3	
			-	-	- 3/8" - 16	18 0.71
3	HBH3 3/8" - 16 x 23/4"	SBH3 3/8" - 16 x 2.05"	-	-	RNH1/3	
			-	-	- 3/8" - 16	18 0.71
4	HBH4 7/16" - 14 x 4"	SBH4 7/16" - 14 x 3.27"	-	-	RNH4	
			-	-	- 7/16" - 14	20 0.79
5	HBH5 5/8" - 11 x 51/4"	SBH5 5/8" - 11 x 4.33"	-	-	-	-
6	HBH6 3/4" - 10 x 71/2"	-	-	-	-	-
7	HBH7 7/8" - 9 x 81/2"	-	-	-	-	-
8	HBH8 1 1/8" - 7 x 12"	-	-	-	-	-