

# Two-Way High Pressure Ball Valves

## NBKH Series

### Specifications

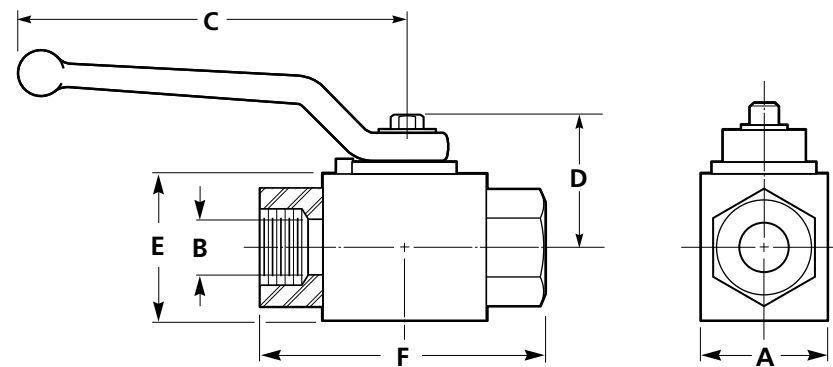
- Block body
- Full port, sizes 1/4 - 1"
- Reduced port, sizes 1/4 - 1 1/2"
- NPT - ORB - BSP connections
- POM (Polyacetal) ball seats
- FKM/FPM O-Rings
- Black oxide coating
- Temp range -20°F to 215°F
- Nickel plated ball

### Options

- Lock kits
- Actuator packages
- Straight handles
- Red aluminum handles
- Special ball seats and seals for higher temperature and aggressive applications
- Mounting holes



NBKH Series			WORKING PRESSURE		DIMENSIONS (IN.)					
SIZE	THREAD SIZE	PART NUMBER	PSI	BAR	A	B	C	D	E	F
1/4"	1/4" NPTF	NBKH-14-NPT-1125	7350	500	1.02	.24	4.21	1.20	1.26	2.72
1/4"	1/4" BSPP	NBKH-14-BSP-1125	7350	500	1.02	.24	4.21	1.20	1.26	2.72
1/4"	7/16" -20 ORB	NBKH-14-SAE-1125	7350	500	1.02	.24	4.21	1.20	1.26	2.72
3/8"	3/8" NPTF	NBKH-38-NPT-1125	7350	500	1.26	.39	4.21	1.29	1.50	2.87
3/8"	3/8" BSPP	NBKH-38-BSP-1125	7350	500	1.26	.39	4.21	1.29	1.50	2.87
3/8"	9/16" -18 ORB	NBKH-38-SAE-1125	7350	500	1.26	.39	4.21	1.29	1.50	2.87
1/2"	1/2" NPTF	NBKH-12-NPT-1125	7350	500	1.38	.51	4.21	1.31	1.57	3.62
1/2"	1/2" BSPP	NBKH-12-BSP-1125	7350	500	1.38	.51	4.21	1.31	1.57	3.62
1/2"	3/4" -16 ORB	NBKH-12-SAE-1125	7350	500	1.38	.51	4.21	1.31	1.57	3.62
3/4"	3/4" NPTF	NBKH-34-NPT-1125	6000	415	1.93	.79	6.50	1.91	2.24	3.82
3/4"	3/4" BSPP	NBKH-34-BSP-1125	6000	415	1.93	.79	6.50	1.91	2.24	3.82
3/4"	1 1/16" -12 ORB	NBKH-34-SAE-1125	6000	415	1.93	.79	6.50	1.91	2.24	3.82
1"	1" NPTF	NBKH-1-NPT-1125	6000	415	2.36	.94	6.50	1.95	2.36	4.45
1"	1" BSPP	NBKH-1-BSP-1125	6000	415	2.36	.94	6.50	1.95	2.36	4.45
1"	1 5/16" -12 ORB	NBKH-1-SAE-1125	6000	415	2.36	.94	6.50	1.95	2.36	4.45
1x1 1/4"	1 1/4" NPTF	NBKH-114-NPT-1125	6000	415	2.36	.94	6.50	1.95	2.36	5.16
1x1 1/4"	1 1/4" BSPP	NBKH-114-BSP-1125	6000	415	2.36	.94	6.50	1.95	2.36	5.16
1x1 1/4"	1 5/8" -12 ORB	NBKH-114-SAE-1125	6000	415	2.36	.94	6.50	1.95	2.36	5.16
1x1 1/2"	1 1/2" NPTF	NBKH-112-NPT-1125	6000	415	2.36	.94	6.50	1.95	2.36	5.47
1x1 1/2"	1 1/2" BSPP	NBKH-112-BSP-1125	6000	415	2.36	.94	6.50	1.95	2.36	5.47
1x1 1/2"	1 7/8" -12 ORB	NBKH-112-SAE-1125	6000	415	2.36	.94	6.50	1.95	2.36	5.47



See page 60 for full safety information.

# Two-Way High Pressure Ball Valves

## BKH Series

### Specifications

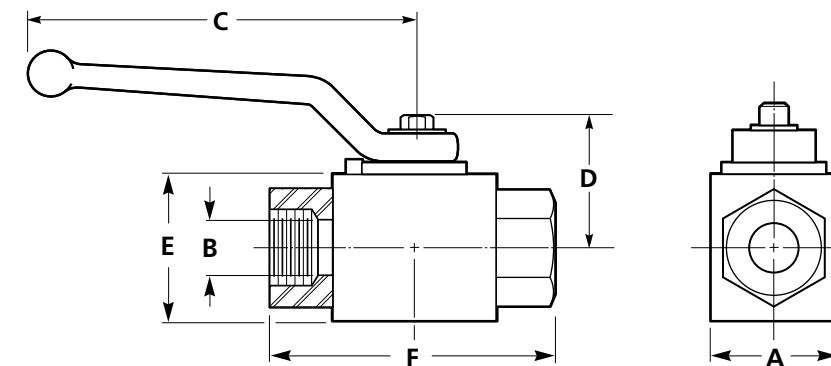
- Block body
- Full port, sizes 1/4 - 1"
- Reduced port, sizes 1/4 - 1 1/2"
- NPT - ORB connections
- POM (Polyacetal) ball seats
- Buna-N O-Rings
- Zinc clear coating (RoHs compliant)
- Temp range -20°F to 215°F
- Nickel plated ball

### Options

- Lock kits
- Actuator packages
- Straight handles
- Red aluminum handles
- Special ball seats and seals for higher temperature and aggressive applications
- Mounting holes



BKH Series			WORKING PRESSURE		DIMENSIONS (IN.)					
SIZE	THREAD SIZE	PART NUMBER	PSI	BAR	A	B	C	D	E	F
1/4"	1/4" NPTF	BKH-14-NPT-1123-2	7350	500	1.02	.24	4.21	1.20	1.26	2.72
1/4"	7/16" -20 ORB	BKH-14-SAE-1123-2	7350	500	1.02	.24	4.21	1.20	1.26	2.72
3/8"	3/8" NPTF	BKH-38-NPT-1123-2	7350	500	1.26	.39	4.21	1.29	1.50	2.87
3/8"	9/16" -18 ORB	BKH-38-SAE-1123-2	7350	500	1.26	.39	4.21	1.29	1.50	2.87
1/2"	1/2" NPTF	BKH-12-NPT-1123-2	7350	500	1.38	.51	4.21	1.31	1.57	3.62
1/2"	3/4" -16 ORB	BKH-12-SAE-1123-2	7350	500	1.38	.51	4.21	1.31	1.57	3.62
3/4"	3/4" NPTF	BKH-34-NPT-1123-2	6000	415	1.93	.78	6.50	1.91	2.24	3.82
3/4"	1 1/16" -12 ORB	BKH-34-SAE-1123-2	6000	415	1.93	.78	6.50	1.91	2.24	3.82
1"	1" NPTF	BKH-1-NPT-1123-2	6000	415	2.36	.94	6.50	1.95	2.36	4.45
1"	1 5/16" -12 ORB	BKH-1-SAE-1123-2	6000	415	2.36	.94	6.50	1.95	2.36	4.45
1x1 1/4"	1 1/4" NPTF	BKH-114-NPT-1123-2	6000	415	2.36	.94	6.50	1.95	2.36	5.16
1x1 1/4"	1 5/8" -12 ORB	BKH-114-SAE-1123-2	6000	415	2.36	.94	6.50	1.95	2.36	5.16
1x1 1/2"	1 1/2" NPTF	BKH-112-NPT-1123-2	6000	415	2.36	.94	6.50	1.95	2.36	5.47
1x1 1/2"	1 7/8" -12 ORB	BKH-112-SAE-1123-2	6000	415	2.36	.94	6.50	1.95	2.36	5.47



See page 60 for full safety information.

# Two-Way High Pressure Ball Valves

## SKH Series

### Specifications

- Forged body
- Full port
- NPT - ORB - BSP connections
- POM (Polyacetal) ball seats
- FKM/FPM O-Rings\*
- Black oxide coating
- Temp range -20°F to 215°F
- Nickel plated ball

### Options

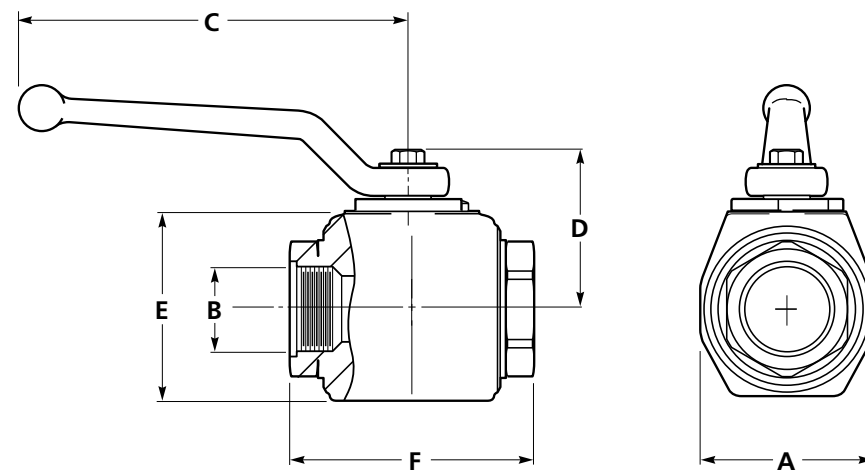
- Lock kits
- Actuator packages
- Straight handles
- Red aluminum handles
- Special ball seats and seals for higher temperature and aggressive applications



### SKH Series

SIZE	THREAD SIZE	PART NUMBER	WORKING PRESSURE		DIMENSIONS (IN.)					
			PSI	BAR	A	B	C	D	E	F
1 1/4"	1 1/4" NPTF	SKH-114-NPT-3125	6000	415	2.99	1.26	8.30	2.10	3.30	4.50
1 1/4"	1 1/4" BSPP	SKH-114-BSP-3123	6000	415	2.99	1.26	8.30	2.10	3.30	4.50
1 1/4"	1 5/8" -12 ORB	SKH-114-SAE-3125	6000	415	2.99	1.26	8.30	2.10	3.30	4.50
1 1/2"	1 1/2" NPTF	SKH-112-NPT-3125	6000	415	3.27	1.50	8.30	2.73	3.62	5.30
1 1/2"	1 1/2" BSPP	SKH-112-BSP-3123	6000	415	3.27	1.50	8.30	2.73	3.62	5.30
1 1/2"	1 7/8" -12 ORB	SKH-112-SAE-3125	6000	415	3.27	1.50	8.30	2.73	3.62	5.30
2"	2" NPTF	SKH-2-NPT-3125	6000	415	3.94	1.89	8.50	3.15	4.37	5.50
2"	2" BSPP	SKH-2-BSP-3123	6000	415	3.94	1.89	8.50	3.15	4.37	5.50
2"	2 1/2" -12 ORB	SKH-2-SAE-3125	6000	415	3.94	1.89	8.50	3.15	4.37	5.50

\*BSP threaded ball valves have Buna-N O-rings standard.



See page 60 for full safety information.

# Two-Way High Pressure Ball Valves

## SKH Series

### Specifications

- Forged body
- Full port
- NPT - ORB connections
- POM (Polyacetal) ball seats
- Buna-N O-Rings
- Zinc clear coating (RoHs compliant)
- Temp range -20°F to 215°F
- Nickel plated ball

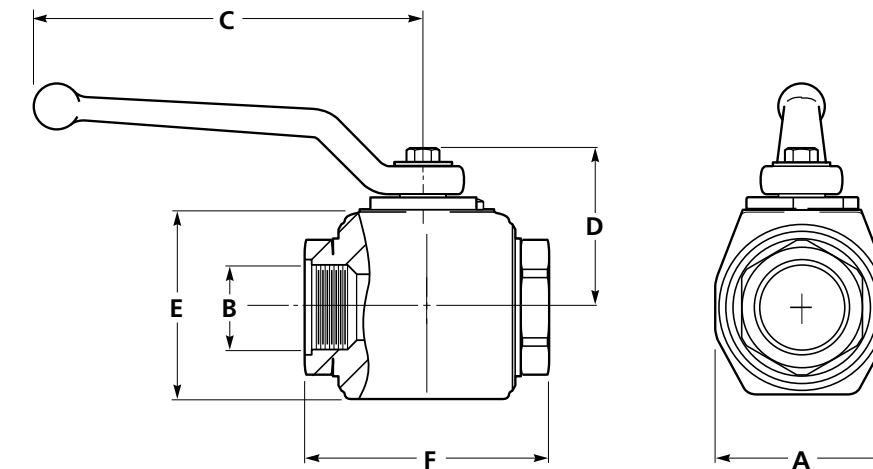
### Options

- Lock kits
- Actuator packages
- Straight handles
- Red aluminum handles
- Special ball seats and seals for higher temperature and aggressive applications



### SKH Series

SIZE	THREAD SIZE	PART NUMBER	WORKING PRESSURE		DIMENSIONS (IN.)					
			PSI	BAR	A	B	C	D	E	F
1 1/4"	1 1/4" NPTF	SKH-114-NPT-3123-2	6000	415	2.99	1.26	8.30	2.60	3.30	4.50
1 1/4"	1 5/8" -12 ORB	SKH-114-SAE-3123-2	6000	415	2.99	1.26	8.30	2.60	3.30	4.50
1 1/2"	1 1/2" NPTF	SKH-112-NPT-3123-2	6000	415	3.27	1.50	8.30	2.73	3.62	5.30
1 1/2"	1 7/8" -12 ORB	SKH-112-SAE-3123-2	6000	415	3.27	1.50	8.30	2.73	3.62	5.30
2"	2" NPTF	SKH-2-NPT-3123-2	6000	415	3.94	1.89	8.50	3.15	4.37	5.50
2"	2 1/2" -12 ORB	SKH-2-SAE-3123-2	6000	415	3.94	1.89	8.50	3.15	4.37	5.50



See page 60 for full safety information.

# HRKH Series

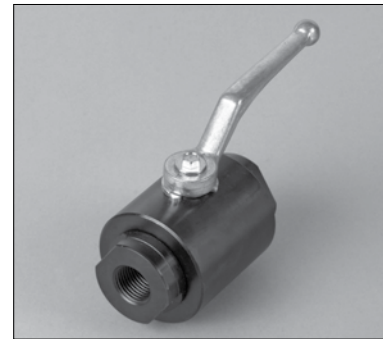
## Ultra High-Pressure Ball Valves

### Specifications

- Carbon steel
- NPT threads
- POM (Polyacetal) ball seats
- Buna-N O-Rings
- Temp range -20°F to 215°F
- Nickel plated ball

### Options

- Actuator packages
- Straight handles
- Red aluminum handles
- Special ball seats and seals for higher temperature and aggressive applications



### HRKH Series Steel

SIZE	THREAD SIZE	PART NUMBER	WORKING PRESSURE		DIMENSIONS (IN.)					
			PSI	BAR	A	B	C	D	E	F
1/4"	1/4" NPTF	HRKH-14-NPT-3923	11,760	800	2.33	.24	4.21	1.61	2.33	3.86
3/8"	3/8" NPTF	HRKH-38-NPT-3923	11,760	800	2.33	.35	4.21	1.61	2.33	3.86
1/2"	1/2" NPTF	HRKH-12-NPT-3923	11,760	800	2.33	.35	4.21	1.61	2.33	3.86
3/4"	3/4" NPTF	HRKH-34-NPT-3923	11,760	800	3.11	.51	6.49	2.20	3.11	4.49
1"	1" NPTF	HRKH-1-NPT-3923	11,760	800	3.11	.67	6.49	2.50	3.70	4.73

### Specifications

- 316 Stainless steel
- NPT threads
- POM (Polyacetal) ball seats
- FKM/FPM O-Rings
- Temp range -20°F to 215°F
- Stainless ball

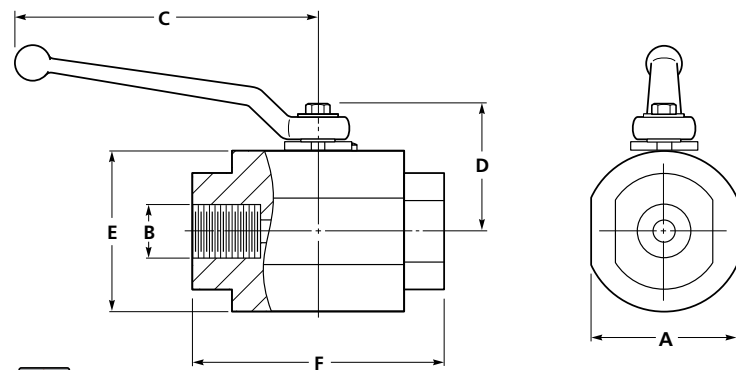
### Options

- Actuator packages
- Stainless handles
- Red aluminum handles
- Special ball seats and seals for higher temperature and aggressive applications



### Stainless Steel

SIZE	THREAD SIZE	PART NUMBER	WORKING PRESSURE		DIMENSIONS (IN.)					
			PSI	BAR	A	B	C	D	E	F
1/4"	1/4" NPTF	HRKH-14-NPT-4425	10,150	700	2.33	.24	4.21	1.61	2.33	3.86
3/8"	3/8" NPTF	HRKH-38-NPT-4425	10,150	700	2.33	.35	4.21	1.61	2.33	3.86
1/2"	1/2" NPTF	HRKH-12-NPT-4425	10,150	700	2.33	.35	4.21	1.61	2.33	3.86
3/4"	3/4" NPTF	HRKH-34-NPT-4425	10,150	700	3.11	.51	6.49	2.20	3.11	4.49
1"	1" NPTF	HRKH-1-NPT-4425	10,150	700	3.11	.67	6.49	2.50	3.70	4.73



See page 60 for full safety information.

# RKH Series

## 316 Stainless Steel Ball Valves

### Specifications

- All 316 Stainless steel body, stem & ball
- Full port
- NPT - ORB connections
- POM (Polyacetal) ball seats
- FKM/FPM O-Rings
- Temp range -20°F to 215°F

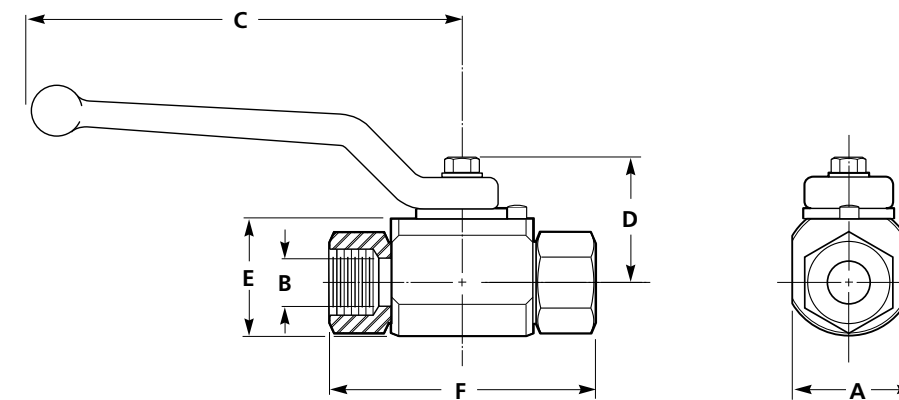
### Options

- Lock kits
- Stainless handles
- Red aluminum handles
- Special ball seats and seals for higher temperature and aggressive applications



### RKH Series

SIZE	THREAD SIZE	PART NUMBER	WORKING PRESSURE		DIMENSIONS (IN.)					
			PSI	BAR	A	B	C	D	E	F
1/4"	1/4" NPTF	RKH-14-NPT-4425	6000	415	1.49	.24	4.21	1.20	1.38	2.95
1/4"	7/16" -20 ORB	RKH-14-SAE-4425	6000	415	1.49	.24	4.21	1.20	1.38	2.95
3/8"	3/8" NPTF	RKH-38-NPT-4425	6000	415	1.77	.39	4.21	1.29	1.57	2.95
3/8"	9/16" -18 ORB	RKH-38-SAE-4425	6000	415	1.77	.39	4.21	1.29	1.57	2.95
1/2"	1/2" NPTF	RKH-12-NPT-4425	6000	415	1.89	.51	4.21	1.31	1.77	3.35
1/2"	3/4" -16 ORB	RKH-12-SAE-4425	6000	415	1.89	.51	4.21	1.31	1.77	3.35
3/4"	3/4" NPTF	RKH-34-NPT-4425	6000	415	2.56	.79	6.50	1.91	2.36	3.66
3/4"	1 1/16" -12 ORB	RKH-34-SAE-4425	6000	415	2.56	.79	6.50	1.91	2.36	3.66
1"	1" NPTF	RKH-1-NPT-4425	6000	415	2.76	.94	6.50	1.95	2.56	4.53
1"	1 5/16" -12 ORB	RKH-1-SAE-4425	6000	415	2.76	.94	6.50	1.95	2.56	4.53
1 1/4"	1 1/4" NPTF	RKH-114-NPT-4425	5880	400	3.54	1.25	8.30	2.59	3.30	6.54
1 1/4"	1 5/8" -12 ORB	RKH-114-SAE-4425	5880	400	3.54	1.25	8.30	2.59	3.30	6.54
1 1/2"	1 1/2" NPTF	RKH-112-NPT-4425	5880	400	3.26	1.49	8.30	2.73	3.62	7.14
1 1/2"	1 7/8" -12 ORB	RKH-112-SAE-4425	5880	400	3.26	1.49	8.30	2.73	3.62	7.14
2"	2" NPTF	RKH-2-NPT-4425	5880	400	3.94	1.89	8.50	3.15	4.37	9.30
2"	2 1/2" -12 ORB	RKH-2-SAE-4425	5880	400	3.94	1.89	8.50	3.15	4.37	9.30



See page 60 for full safety information.

# Stecko and Super Stecko

## Mining Ball Valves

### Specifications

- Full port
- POM (Polyacetal) ball seats
- Buna-N O-Rings
- Temp range -20°F to 215°F
- Nickel plated ball

### Application

- Long wall coal mining



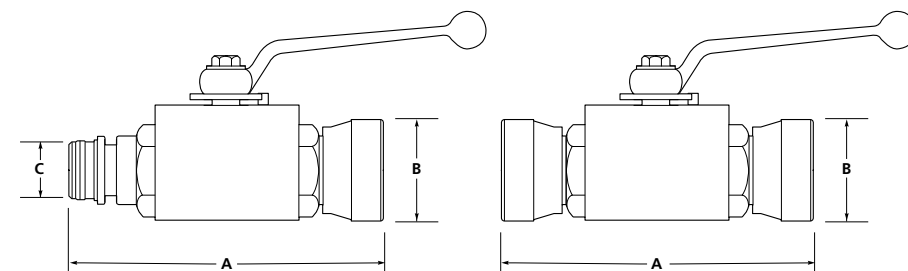
### BBKH Series

#### Regular STECKO

SIZE	CONNECTION	PART NUMBER	WORKING PRESSURE		DIMENSIONS (IN.)		
			PSI	BAR	A	B	C
3/8"	M x F	BBKH-10-1123-1-FM	7350	500	4.45	1.18	.79
3/8"	F x F	BBKH-10-1123-1-FF	7350	500	4.45	1.18	
1/2"	M x F	BBKH-13-1123-1-FM	7350	500	4.65	1.26	.94
1/2"	F x F	BBKH-13-1123-1-FF	7350	500	4.65	1.26	
3/4"	M x F	BBKH-20-1123-1-FM	5880	400	5.43	1.57	1.14
3/4"	F x F	BBKH-20-1123-1-FF	5880	400	5.43	1.57	
1"	M x F	BBKH-25-1123-1-FM	5145	350	5.94	2.17	1.54
1"	F x F	BBKH-25-1123-1-FF	5145	350	5.94	2.17	
1 1/4"	M x F	BSKH-32-3123-1-FM	5145	350	6.50	2.36	1.81
1 1/4"	F x F	BSKH-32-3123-1-FF	5145	350	6.54	2.36	
1 1/2"	M x F	BSKH-40-3123-1-FM	5145	350	8.54	2.76	2.20
1 1/2"	F x F	BSKH-40-3123-1-FF	5145	350	8.78	2.76	
2"	M x F	BSKH-50-3123-1-FM	5145	350	8.58	2.15	2.52
2"	F x F	BSKH-50-3123-1-FF	5145	350	9.37	3.15	

### Super STECKO

SIZE	CONNECTION	PART NUMBER	WORKING PRESSURE		DIMENSIONS (IN.)		
			PSI	BAR	A	B	C
1 1/4"	M x F	BSKH-32-3123-1-FM-SS	5145	350	8.04	2.76	1.81
1 1/4"	F x F	BSKH-32-3123-1-FF-SS	5145	350	8.04	2.76	
1 1/2"	M x F	BSKH-40-3123-1-FM-SS	5145	350	8.98	3.25	2.15
1 1/2"	F x F	BSKH-40-3123-1-FF-SS	5145	350	8.67	3.25	
2"	M x F	BSKH-50-3123-1-FM-SS	5145	350	10.18	3.74	2.50
2"	F x F	BSKH-50-3123-1-FF-SS	5145	350	10.24	3.74	



See page 60 for full safety information.

# Three-Way BK3 Series

## Diverter Valves

### Specifications

- Block body
- Full port
- NPT - ORB connections
- POM (Polyacetal) ball seats
- Black oxide coating
- FKM/FPM O-Rings
- Temp range -20°F to 215°F
- Nickel plated ball

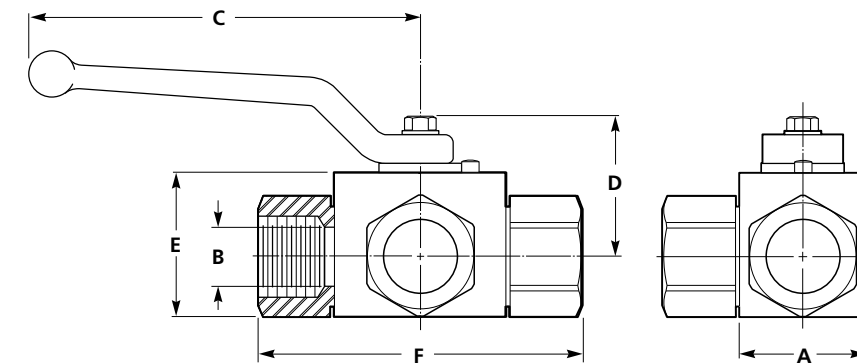
### Options

- Lock kits
- Actuator packages
- Straight handles
- Red aluminum handles
- Special ball seats and seals for higher temperature and aggressive applications
- Stainless steel

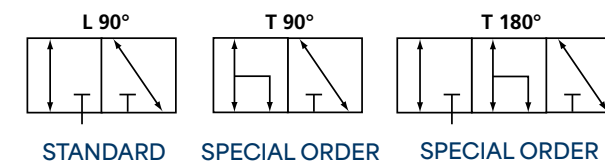


### BK3 Series

SIZE	THREAD SIZE	PART NUMBER	WORKING PRESSURE		DIMENSIONS (IN.)					
			PSI	BAR	A	B	C	D	E	F
1/4"	1/4" NPTF	BK3-14-NPT-1125-L	5880	400	1.02	.24	4.21	1.20	1.26	2.72
1/4"	7/16" -20 ORB	BK3-14-SAE-1125-L	5880	400	1.02	.24	4.21	1.20	1.26	2.72
3/8"	3/8" NPTF	BK3-38-NPT-1125-L	5880	400	1.26	.39	4.21	1.29	1.50	2.87
3/8"	9/16" -18 ORB	BK3-38-SAE-1125-L	5880	400	1.26	.39	4.21	1.29	1.50	2.87
1/2"	1/2" NPTF	BK3-12-NPT-1125-L	5145	350	1.38	.51	4.21	1.31	1.57	3.62
1/2"	3/4" -16 ORB	BK3-12-SAE-1125-L	5145	350	1.38	.51	4.21	1.31	1.57	3.62
3/4"	3/4" NPTF	BK3-34-NPT-1125-L	5145	350	1.93	.79	6.50	1.91	2.24	3.82
3/4"	1 1/16" -12 ORB	BK3-34-SAE-1125-L	5145	350	1.93	.79	6.50	1.91	2.24	3.82
1"	1" NPTF	BK3-1-NPT-1125-L	5145	350	2.36	.94	6.50	1.95	2.36	4.45
1"	1 5/16" -12 ORB	BK3-1-SAE-1125-L	5145	350	2.36	.94	6.50	1.95	2.36	4.45



NOTE: The sealing function of the BK3/SK3 standard valves is only given when the pressure standing on the closed port is less than or equal to the inlet pressure of the open port.



See page 60 for full safety information.



# Three-Way BK3 Series

## Diverter Valves

### Specifications

- Block body
- Full port
- NPT - ORB connections
- POM (Polyacetal) ball seats
- Buna O-Rings
- Zinc clear coating (ROHS compliant)
- Temp range -20°F to 215°F
- Nickel plated ball

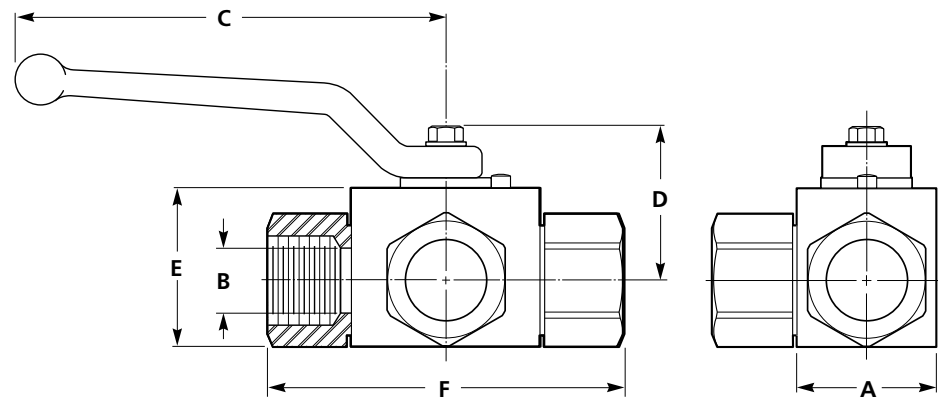
### Options

- Lock kits
- Actuator packages
- Straight handles
- Red aluminum handles
- Special ball seats and seals for higher temperature and aggressive applications
- Mounting holes
- Stainless steel

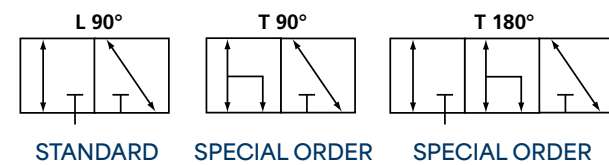


### BK3 Series

SIZE	THREAD SIZE	PART NUMBER	WORKING PRESSURE		DIMENSIONS (IN.)					
			PSI	BAR	A	B	C	D	E	F
1/4"	1/4" NPTF	BK3-14-NPT-1123-2-L	5880	400	1.02	.24	4.21	1.20	1.26	2.72
1/4"	7/16" -20 ORB	BK3-14-SAE-1123-2-L	5880	400	1.02	.24	4.21	1.20	1.26	2.72
3/8"	3/8" NPTF	BK3-38-NPT-1123-2-L	5880	400	1.26	.39	4.21	1.29	1.50	2.87
3/8"	9/16" -18 ORB	BK3-38-SAE-1123-2-L	5880	400	1.26	.39	4.21	1.29	1.50	2.87
1/2"	1/2" NPTF	BK3-12-NPT-1123-2-L	5145	350	1.38	.51	4.21	1.31	1.57	3.62
1/2"	3/4" -16 ORB	BK3-12-SAE-1123-2-L	5145	350	1.38	.51	4.21	1.31	1.57	3.62
3/4"	3/4" NPTF	BK3-34-NPT-1123-2-L	5145	350	1.93	.79	6.50	1.91	2.24	3.82
3/4"	1 1/16" -12 ORB	BK3-34-SAE-1123-2-L	5145	350	1.93	.79	6.50	1.91	2.24	3.82
1"	1" NPTF	BK3-1-NPT-1123-2-L	5145	350	2.36	.94	6.50	1.95	2.36	4.45
1"	1 5/16" -12 ORB	BK3-1-SAE-1123-2-L	5145	350	2.36	.94	6.50	1.95	2.36	4.45



NOTE: The sealing function of the BK3/SK3 standard valves is only given when the pressure standing on the closed port is less than or equal to the inlet pressure of the open port.



See page 60 for full safety information.

# Three-Way SK3 Series

## Diverter Valves

### Specifications

- Forged body
- Full port
- NPT - ORB connections
- POM (Polyacetal) ball seats
- Black oxide coating
- FKM/FPM O-Rings
- Temp range -20°F to 215°F
- Nickel plated ball

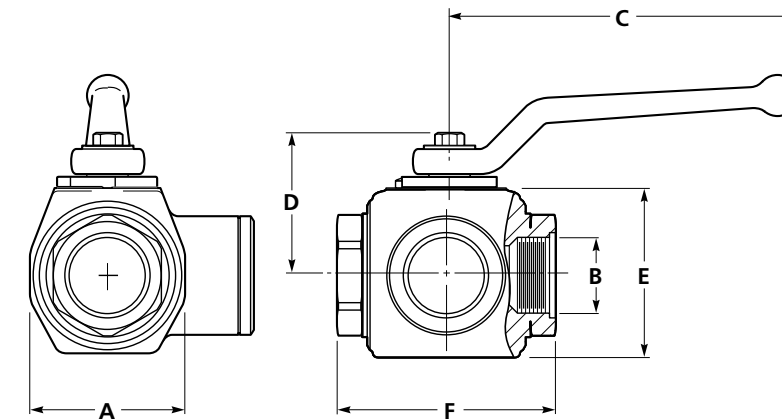
### Options

- Lock kits
- Actuator packages
- Red aluminum handles
- Special ball seats and seals for higher temperature and aggressive applications
- Stainless steel

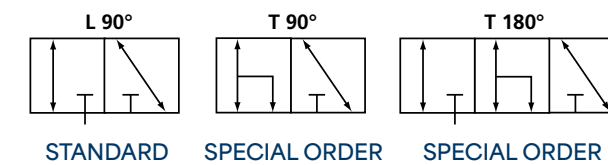


### SK3 Series

SIZE	THREAD SIZE	PART NUMBER	WORKING PRESSURE		DIMENSIONS (IN.)					
			PSI	BAR	A	B	C	D	E	F
1 1/4"	1 1/4" NPTF	SK3-114-NPT-3125-L	5145	350	2.99	1.18	8.50	2.60	3.30	4.53
1 1/4"	1 5/8" -12 ORB	SK3-114-SAE-3125-L	5145	350	2.99	1.18	8.50	2.60	3.30	4.53
1 1/2"	1 1/2" NPTF	SK3-112-NPT-3125-L	5145	350	3.27	1.37	8.30	2.73	3.62	4.81
1 1/2"	1 7/8" -12 ORB	SK3-112-SAE-3125-L	5145	350	3.27	1.37	8.30	2.73	3.62	4.81
2"	2" NPTF	SK3-2-NPT-3125-L	5145	350	3.94	1.73	8.30	3.15	4.37	5.53
2"	2 1/2" -12 ORB	SK3-2-SAE-3125-L	5145	350	3.94	1.73	8.30	3.15	4.37	5.53



NOTE: The sealing function of the BK3/SK3 standard valves is only given when the pressure standing on the closed port is less than or equal to the inlet pressure of the open port.



See page 60 for full safety information.

# Direct Mount PV2 and PV3 Series

## 2-Way/3-Way Ball Valves

### Specifications

- Block body
- Full port
- Code 62
- Direct mount
- POM (Polyacetal) ball seats
- FKM/FPM O-Rings
- Temp range -20°F to 215°F
- Nickel plated ball

### Options

- Locking device
- Actuator packages
- Red aluminum handles
- Special ball seats and seals for higher temperature and aggressive applications

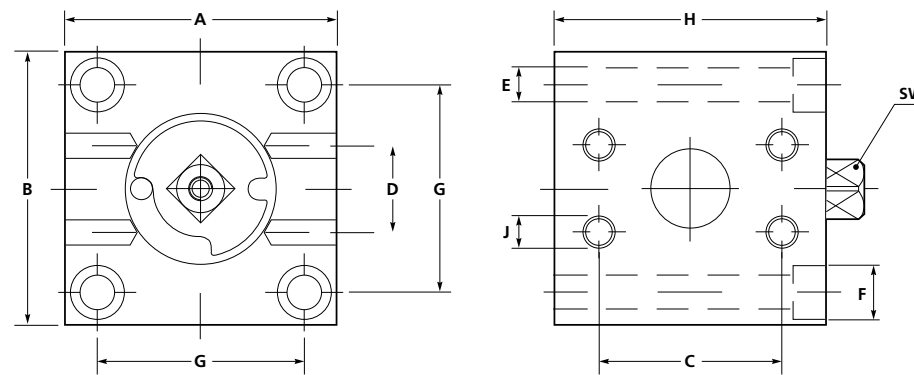


PV2 Series

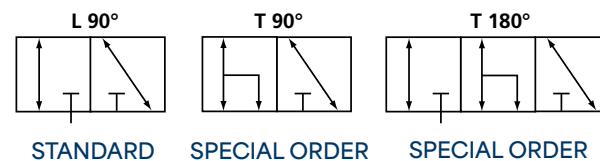


PV3 Series

SIZE	PART NUMBER	WORKING PRESSURE		PORTS	DIMENSIONS (IN.)									
		PSI	BAR		A	B	C	D	E	F	G	H	J	SW
1/2"	PV2-13-SAE-6000-1125	5880	400	2	2.37	2.37	1.60	.72	.36	.59	1.70	2.21	M8	.36
1/2"	PV3-13-SAE-6000-1125	5880	400	3	2.37	2.37	1.60	.72	.36	.59	1.70	2.21	M8	.36
3/4"	PV2-20-SAE-6000-1125	5880	400	2	3.15	3.15	2.00	.94	.44	.71	2.37	2.84	M10	.56
3/4"	PV3-20-SAE-6000-1125	5880	400	3	3.15	3.15	2.00	.94	.44	.71	2.37	2.84	M10	.56
1"	PV2-25-SAE-6000-1125	5880	400	2	3.70	3.70	2.25	1.10	.44	.71	2.76	3.019	M12	.56
1"	PV3-25-SAE-6000-1125	5880	400	3	3.70	3.70	2.25	1.10	.44	.71	2.76	3.19	M12	.56
1 1/4"	PV2-32-SAE-6000-1125	5880	400	2	3.94	3.94	2.63	1.25	.50	.79	3.00	3.94	M14	.67
1 1/4"	PV3-32-SAE-6000-1125	5880	400	3	3.94	3.94	2.63	1.25	.50	.79	3.00	3.94	M14	.67
1 1/2"	PV2-40-SAE-6000-1125	5880	400	2	4.33	4.33	3.13	1.44	.50	.79	3.31	4.41	M16	.67
1 1/2"	PV3-40-SAE-6000-1125	5880	400	3	4.33	4.33	3.13	1.44	.50	.79	3.31	4.41	M16	.67
2"	PV2-50-SAE-6000-1125	5880	400	2	5.12	5.12	3.82	1.75	.50	.79	4.26	5.32	M20	.67
2"	PV3-50-SAE-6000-1125	5880	400	3	5.12	5.12	3.82	1.75	.50	.79	4.26	5.32	M20	.67



NOTE: The sealing function of the BK3/SK3 standard valves is only given when the pressure standing on the closed port is less than or equal to the inlet pressure of the open port.



See page 60 for full safety information.

# Code 61/62

## Split Flange Ball Valves

### Specifications

- Block body
- Full port
- Code 61/62 split flange ends
- POM (Polyacetal) ball seats
- FKM/FPM O-Rings
- Temp range -20°F to 215°F
- Black oxide coating
- Nickel plated ball

### Options

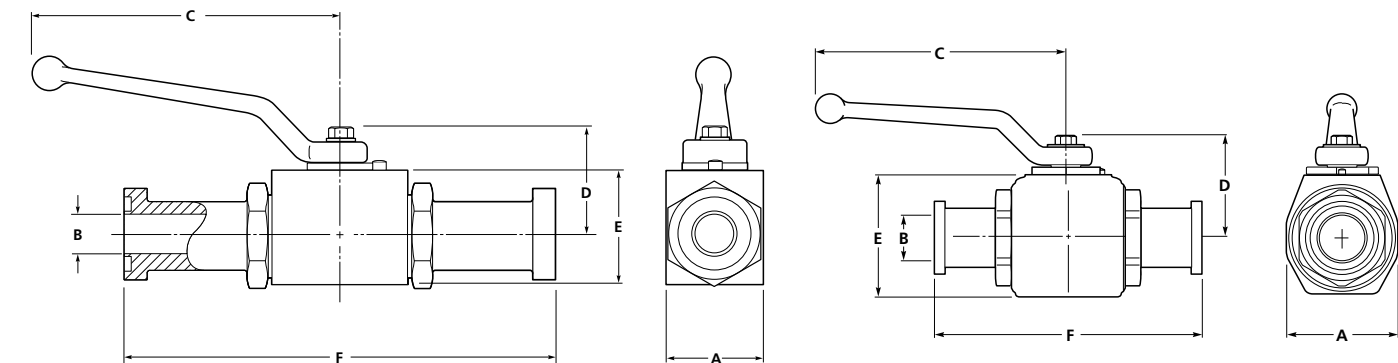
- Lock kits
- Actuator packages
- Straight handles
- Red aluminum handles
- Special ball seats and seals for higher temperature and aggressive applications
- Stainless steel



### Split Flange

SIZE	PART NUMBER	CODE	FLANGE SIZE	WORKING PRESSURE		DIMENSIONS (IN.)					
				PSI	BAR	A	B	C	D	E	F
1/2"	BKH-13-SAE-3000-S-1125	61	1/2"	4630	315	1.37	.51	4.53	1.38	1.57	5.94
1/2"	BKH-13-SAE-6000-S-1125	62	1/2"	5880	400	1.37	.51	4.53	1.38	1.57	5.94
3/4"	BKH-20-SAE-3000-S-1125	61	3/4"	4630	315	1.93	.75	7.87	1.99	2.24	6.38
3/4"	BKH-20-SAE-6000-S-1125	62	3/4"	5880	400	1.93	.75	7.87	1.99	2.24	6.38
1"	BKH-25-SAE-3000-S-1125	61	1"	4630	315	2.36	.98	7.87	2.11	2.56	7.01
1"	BKH-25-SAE-6000-S-1125	62	1"	5880	400	2.36	.98	7.87	2.11	2.56	7.80
1 1/4"	SKH-32-SAE-3000-S-3125	61	1 1/4"	3675	250	2.99	1.18	12.60	2.62	3.39	7.52
1 1/4"	SKH-32-SAE-6000-S-3125	62	1 1/4"	5880	400	2.99	1.18	12.60	2.62	3.39	8.78
1 1/2"	SKH-40-SAE-3000-S-3125	61	1 1/2"	2940	200	3.27	1.50	12.60	2.91	4.06	9.09
1 1/2"	SKH-40-SAE-6000-S-3125	62	1 1/2"	5880	400	3.27	1.50	12.60	2.91	4.06	11.06
2"	SKH-50-SAE-3000-S-3125	61	2"	2940	200	3.94	1.89	12.60	3.11	4.61	9.13
2"	SKH-50-SAE-6000-S-3125	62	2"	5880	400	3.94	1.89	12.60	3.11	4.61	12.44

NOTE: Sizes 1/2"-1" are block body, sizes 1 1/4"-2" are forged body.



Block Body Sizes 1/2"-1"

Forged Body Sizes 1 1/4"-2"

See page 60 for full safety information.

# Code 61/62

## Full Flange Ball Valves

### Specifications

- Block body
- Full port
- Code 61/62 full flange ends
- POM (Polyacetal) ball seats
- Buna-N O-Rings
- Temp range -20°F to 215°F
- Black oxide coating
- Nickel plated ball

### Options

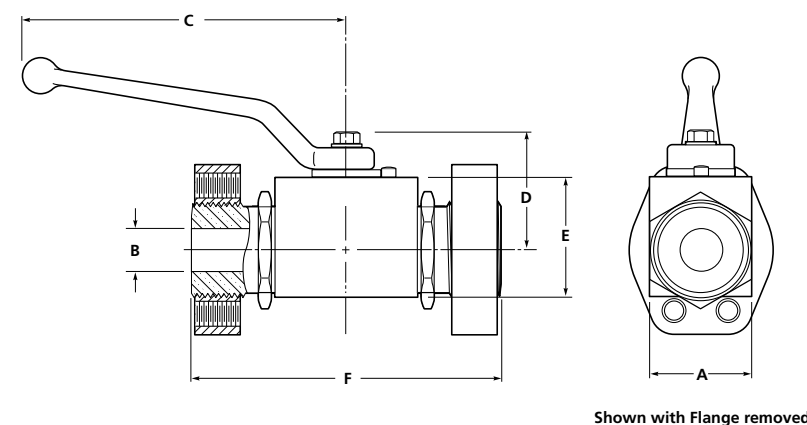
- Lock kits
- Actuator packages
- Straight handles
- Red aluminum handles
- Special ball seats and seals for higher temperature and aggressive applications
- Stainless steel



### Full Flange

SIZE	PART NUMBER	CODE	FLANGE SIZE	WORKING PRESSURE		DIMENSIONS (IN.)									
				PSI	BAR	A	B	C	D	E	F	METRIC	UNC		
1/2"	BKH-13-SAE-3000-F-1123	61	1/2"	4630	315	1.37	.51	4.53	1.38	1.57	4.72	M8	5/16"-18		
1/2"	BKH-13-SAE-6000-F-1123	62	1/2"	5880	400	1.37	.51	4.53	1.38	1.57	4.72	M8	5/16"-18		
3/4"	BKH-20-SAE-3000-F-1123	61	3/4"	4630	315	1.93	.79	6.73	1.99	2.24	5.35	M10	3/8"-16		
3/4"	BKH-20-SAE-6000-F-1123	62	3/4"	5880	400	1.93	.79	6.73	1.99	2.24	5.35	M10	3/8"-16		
1"	BKH-25-SAE-3000-F-1123	61	1"	4630	315	2.28	.98	6.73	2.11	2.56	5.83	M10	3/8"-16		
1"	BKH-25-SAE-6000-F-1123	62	1"	5880	400	2.28	.98	6.73	2.11	2.56	5.83	M10	7/16"-14		
1 1/4"	SKH-32-SAE-3000-F-3123	61	1 1/4"	3675	250	3.19	1.26	12.05	2.62	3.39	6.77	M10	7/16"-14		
1 1/4"	SKH-32-SAE-6000-F-3123	62	1 1/4"	5880	400	3.19	1.26	12.05	2.62	3.39	6.77	M14	1/2"-13		
1 1/2"	SKH-40-SAE-3000-F-3123	61	1 1/2"	2940	200	3.94	1.50	12.05	2.91	4.06	6.97	M12	1/2"-13		
1 1/2"	SKH-40-SAE-6000-F-3123	62	1 1/2"	5880	400	3.94	1.50	12.05	2.91	4.06	6.97	M16	5/8"-11		
2"	SKH-50-SAE-3000-F-3123	61	2"	2940	200	4.65	1.89	12.05	3.11	4.61	7.72	M12	3/4"-10		
2"	SKH-50-SAE-6000-F-3123	62	2"	5880	400	4.65	1.89	12.05	3.11	4.61	7.72	M20	3/4"-10		

NOTE: Valves come standard with metric bolt holes.  
NOTE: Sizes 1/2"-1" are block body, sizes 1 1/4"-2" are forged body.



See page 60 for full safety information.

# Code 61/62

## Split x Full Flange Combination Ball Valves

### Specifications

- Block body
- Full port
- Code 61/62 full flange ends
- POM (Polyacetal) ball seats
- Buna-N O-Rings
- Temp range -20°F to 215°F
- Black oxide coating
- Nickel plated ball

### Options

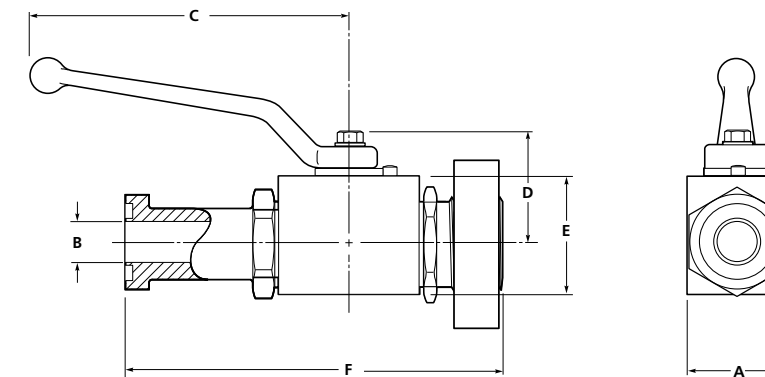
- Lock kits
- Actuator packages
- Straight handles
- Red aluminum handles
- Special ball seats and seals for higher temperature and aggressive applications
- Stainless steel



### Split X Full Flange

SIZE	PART NUMBER	CODE	FLANGE SIZE	WORKING PRESSURE		DIMENSIONS (IN.)									
				PSI	BAR	A	B	C	D	E	F	METRIC	UNC		
1/2"	BKH-13-SAE-3000-D/S-1123	61	1/2"	4630	315	1.37	.51	4.53	1.38	1.57	5.35	M8	5/16"-18		
1/2"	BKH-13-SAE-6000-D/S-1123	62	1/2"	5880	400	1.37	.51	4.53	1.38	1.57	5.35	M8	5/16"-18		
3/4"	BKH-20-SAE-3000-D/S-1123	61	3/4"	4630	315	1.93	.79	6.73	1.99	2.24	5.37	M10	3/8"-16		
3/4"	BKH-20-SAE-6000-D/S-1123	62	3/4"	5880	400	1.93	.79	6.73	1.99	2.24	6.10	M10	3/8"-16		
1"	BKH-25-SAE-3000-D/S-1123	61	1"	4630	315	2.28	.98	6.73	2.11	2.56	6.42	M10	3/8"-16		
1"	BKH-25-SAE-6000-D/S-1123	62	1"	5880	400	2.28	.98	6.73	2.11	2.56	6.81	M10	7/16"-14		
1 1/4"	SKH-32-SAE-3000-D/S-3123	61	1 1/4"	3675	250	3.19	1.26	12.05	2.62	4.21	7.13	M10	7/16"-14		
1 1/4"	SKH-32-SAE-6000-D/S-3123	62	1 1/4"	5880	400	3.19	1.26	12.05	2.62	4.21	7.80	M14	1/2"-13		
1 1/2"	SKH-40-SAE-3000-D/S-3123	61	1 1/2"	2940	200	3.94	1.50	12.05	2.91	4.88	8.03	M12	1/2"-13		
1 1/2"	SKH-40-SAE-6000-D/S-3123	62	1 1/2"	5880	400	3.94	1.50	12.05	2.91	4.88	9.02	M16	5/8"-11		
2"	SKH-50-SAE-3000-D/S-3123	61	2"	2940	200	4.65	1.89	12.05	3.11	5.43	8.43	M12	1/2"-13		
2"	SKH-50-SAE-6000-D/S-3123	62	2"	5880	400	4.65	1.89	12.05	3.11	5.43	10.08	M20	3/4"-10		

NOTE: Valves come standard with metric bolt holes.  
NOTE: Sizes 1/2"-1" are block body, sizes 1 1/4"-2" are forged body.



See page 60 for full safety information.

# FCKH Series

## Direct Mount Flanged Ball Valves

### Specifications

- 1" - 4" sizes
- Floating ball
- Code 61/62 connections
- POM (Polyacetal) ball seats
- Buna-N O-Rings
- Temp range -20°F to 215°F

### Applications

- Hydraulic
- Gas industry
- Environmental industry
- Petrochemical

### Options

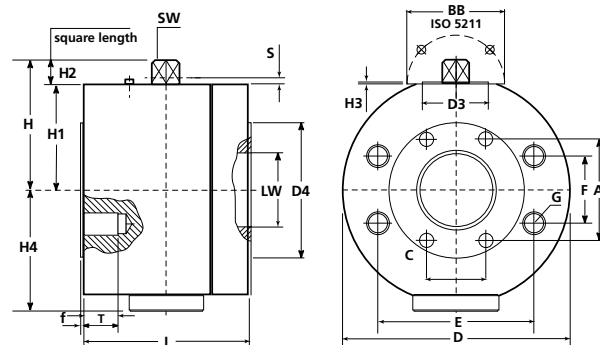
- Lock kits
- Actuator packages
- Stainless steel

### Direct Mount



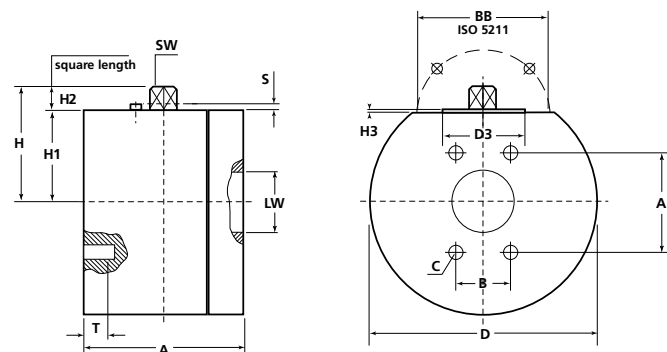
### Code 61/62 Combination

SIZE	PART NUMBER	WORKING PRESSURE		DIMENSIONS (IN.)									
		PSI	BAR	L	D	H	H1	H2	SW	E	F	G	METRIC
1"	FCKH-DN25-SAE-3/6-3123-1	6000	420	3.5	4.65	2.11	1.56	.55	.55	1.03	2.06	M12	
1 1/4"	FCKH-DN32-SAE-3/6-3123-1	6000	420	3.90	5.71	3.35	2.68	.67	.67	1.25	2.63	M12	
1 1/2"	FCKH-DN40-SAE-3/6-3123-1	6000	420	4.30	6.50	3.74	3.07	.67	.67	1.44	3.13	M16	
2"	FCKH-DN50-SAE-3/6-3123-1	6000	420	4.60	7.80	4.37	3.70	.67	.67	1.75	3.81	M20	



### Code 61

SIZE	PART NUMBER	WORKING PRESSURE		DIMENSIONS (IN.)									
		PSI	BAR	L	D	H	H1	H2	SW	A	B	G	METRIC
2 1/2"	FCKH-DN65-SAE-3000-3123-1	2500	160	5.90	7.80	4.49	3.70	.79	.63	3.50	2.00	M12	
3"	FCKH-DN80-SAE-3000-3123-1	2300	160	5.90	8.58	5.10	4.07	1.02	.75	4.19	2.44	M16	
4"	FCKH-DN100-SAE-3000-3123-1	500	35	6.70	10.16	5.87	4.80	1.06	.94	5.13	3.06	M16	



See page 60 for full safety information.

# High Pressure Ball Valve Accessories

### Lock Kits

PART NUMBER	DESCRIPTION	MATERIAL
LK-1	Fits 1/4"-1/2" BKH-BK3 valves	Steel with black oxide coating
LK-1-C	Fits 1/4"-1/2" BKH-BK3 valves	Steel with zinc clear coating
LK-1-SS	Fits 1/4"-1/2" RKH valves	Stainless Steel
LK-2	Fits 3/4"-1 1/2" BKH-BK3 valves	Steel with black oxide coating
LK-2-C	Fits 3/4"-1 1/2" BKH-BK3 valves	Steel with zinc clear coating
LK-2-SS	Fits 3/4"-1" RKH valves	Stainless Steel
LK-3	Fits 1 1/4"-2" SKH-SK3 valves	Steel with black oxide coating
LK-3-C	Fits 1 1/4"-2" SKH-SK3 valves	Steel with zinc clear coating
LK-3-SS	Fits 1 1/4"-2" RKH valves	Stainless Steel



### Handles

PART NUMBER	DESCRIPTION
SW-09-S	Steel cranked handle for 9mm (.36") stem
SW-09-A	Red aluminum handle for 9mm (.36") stem
SW-09-SS	Stainless Steel handle for 9mm (.36") stem
SW-14-S	Steel cranked handle for 14mm (.56") stem
SW-14-A	Red aluminum handle for 14mm (.56") stem
SW-14-SS	Stainless Steel handle for 14mm (.56") stem
SW-17-S	Steel cranked handle for 17mm (.67") stem
SW-17-A	Red aluminum handle for 17mm (.67") stem

NOTE: Handles come with screws.



### Seal Kits

PART NUMBER	DESCRIPTION
BKH-14-KIT-1123	Seal kit Polyacetal/Buna
BKH-14-KIT-1125	Seal kit Polyacetal/FKM/FPM
BKH-38-KIT-1123	Seal kit Polyacetal/Buna
BKH-38-KIT-1125	Seal kit Polyacetal/FKM/FPM
BKH-12-KIT-1123	Seal kit Polyacetal/Buna
BKH-12-KIT-1125	Seal kit Polyacetal/FKM/FPM
BKH-34-KIT-1123	Seal kit Polyacetal/Buna
BKH-34-KIT-1125	Seal kit Polyacetal/FKM/FPM
BKH-1-KIT-1123	Seal kit Polyacetal/Buna
BKH-1-KIT-1125	Seal kit Polyacetal/FKM/FPM
SKH-114-KIT-3123	Seal kit Polyacetal/Buna
SKH-114-KIT-3125	Seal kit Polyacetal/FKM/FPM
SKH-112-KIT-3123	Seal kit Polyacetal/Buna
SKH-112-KIT-3125	Seal kit Polyacetal/FKM/FPM
SKH-2-KIT-3123	Seal kit Polyacetal/Buna
SKH-2-KIT-3125	Seal kit Polyacetal/FKM/FPM

NOTE: Other seat and seal kits available. Contact PCI for details.



See page 60 for full safety information.



# High Pressure Ball Valves

## with Actuators and Limit Switches

We offer a wide range of Ball Valves with actuators and limit switches. Contact us today with your requirements.



### Please use the following guidelines when requesting a quote:

- Type of actuator (electric, hydraulic or pneumatic?)
- Operation (double acting or spring return?)
- Media? Needs to be specific.
- Maximum system pressure?
- Temperature?
- Environmental (is weatherproofing required?)
- Send all inquiries to [sales@pressurecomponents.com](mailto:sales@pressurecomponents.com)



See page 60 for full safety information.

# High Pressure Ball Valves

## Quality Information/Warnings

All high pressure ball valves on pages 41 through 55 are manufactured in Germany by Pister® Kugelhähne GmbH.

Pister strives to demonstrate the high quality and reliability of its products. The safety standard is demonstrated through the BAM-Seal, DVGW approval and Vds production and automobile registration. Pister is a certified ISO 9001-2000 company.

A quality management system ensures that the organizational, commercial and technical operations that effect the design quality of our products are planned, controlled and monitored, and that contractually agreed requirements will be met.

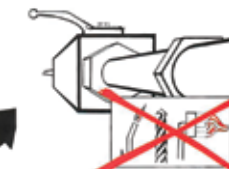
### Quality Certification



Secure adaptor during installation.



No welding, drilling, etc.



Don't operate a ball valve with a tool or an extension.



Don't remove under pressure.



Don't dismantle.



**Failure or improper selection or improper use of any of the products and/or systems found in this catalog can cause death, personal injury and/or property damage.**

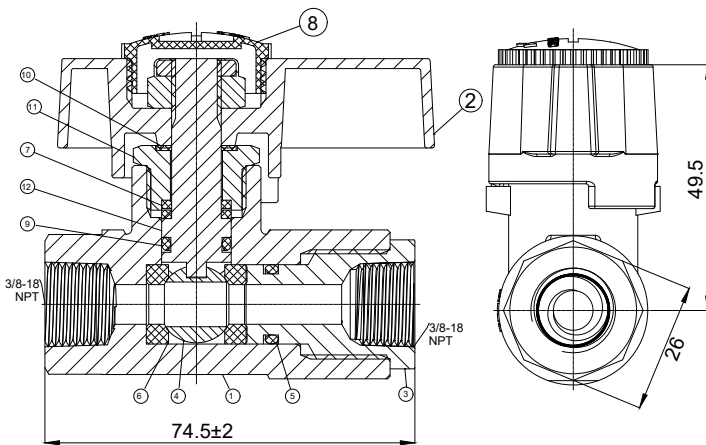
This catalog and other information from PISTER-Kugelhähne GmbH provides product options for further investigation by users having technical expertise. It is important that you analyze all aspects of your application and review the information concerning the product in the current product catalog. Due to the variety of operating conditions and applications for these products, the user, through its own analysis and testing, is solely responsible for making the final selection of the products and assuring that all performance, safety and warning requirements of the application are met. The products described herein, including without limitation, product features, specifications, designs, availability and pricing, are subject to change by PISTER-Kugelhähne GmbH at any time without notice.

## PW5000 Series

### Pressure Wash Valves

#### Specifications

- 5500 PSI max pressure
- Wedge handle for easy operation
- Quick water shut off for easy changing of pressure wash guns
- 12 GPM rated
- 3/8" NPT threads
- 304 stainless steel body, ball and stem
- 212°F max temperature
- Threaded and slotted cap for easy removal



Dimensions in MM

NUMBER	PARTS	MATERIAL
1	BODY	SS304
2	HANDLE	SS304
3	CAP	SS304
4	BALL	SS304
5	O-RING	FKM
6	SEAT	PEEK
7	THRUST WASHER	RPTFE
8	COVER	BLACK PLASTIC
9	O-RING	FKM
10	GASKET	RPTFE
11	GLAND	SS304
12	STEM	SS304

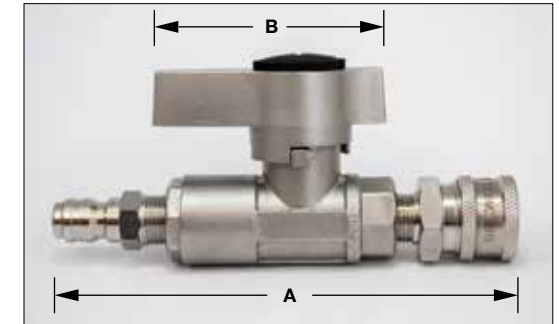
PART NUMBER	SIZE	THREAD	WEIGHT
PW5000	3/8"	3/8" NPT	.98 lbs

## PW5000-ST Series

### Pressure Wash Valves

#### Specifications

- 3500 PSI rated\*
- Wedge handle for easy operation
- Quick water shut off for easy changing of pressure wash guns
- Stainless couplings pre-assembled
- 212°F max temperature



#### PW5000-ST Series

PART NUMBER	SIZE	END CONNECTION	PSI	BAR	A	B
PW5000-ST	3/8"	3/8" Stainless Coupler and Plug	3500	240	5.83	2.98

\*Reduced rating due to quick coupling rated pressure.

\*Ball valve without couplings is rated at 5,000 PSI.

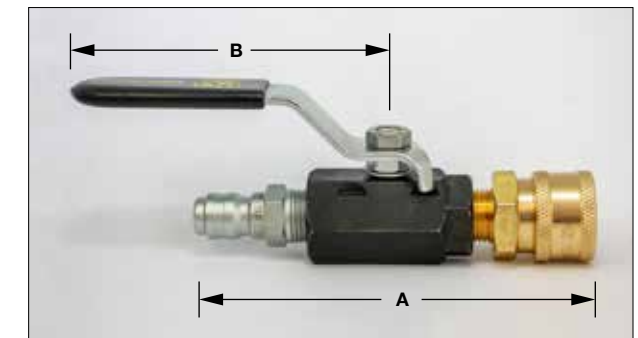
## MPV-ST Series: Pressure Wash Valves

#### Specifications

- 3,000 PSI rated
- Carbon/Graphite filled PTFE seats and seals
- Stainless steel ball
- Full port
- Couplings pre-assembled

#### Temp. Rating

- -20°F to 425°F



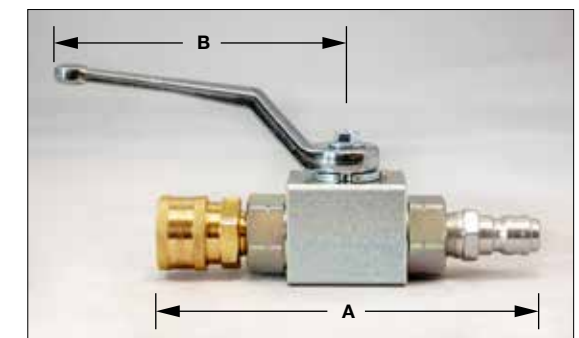
#### MPV-ST Series

SIZE	PART NUMBER	END CONNECTION	PSI	BAR	A	B
3/8"	MPV-38-NPT-ST	3/8" Brass Coupler x 3/8" Steel Plug	3000	205	4.83	3.78

## BKH-ST Series: Pressure Wash Valves

#### Specifications

- 3500 PSI rated\*
- Couplings pre-assembled
- Brass coupler/steel plug
- Delrin ball seats
- Buna-N O-Rings
- Temp range -20°F to 215°F
- Nickel plated ball
- Various handle choices



#### BKH-ST Series

SIZE	END CONNECTION	PSI	BAR	A	B
3/8"	3/8" Brass Coupler x 3/8" Steel Plug	4000	275	5.84	4.21

\*Reduced rating due to quick coupling rated pressure.

\*Ball valve without end connections is rated at 7,350 PSI.

# MPV Series

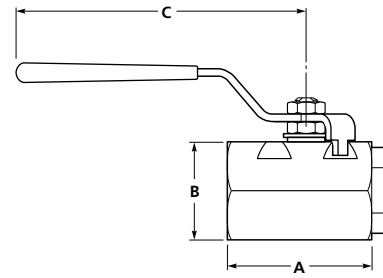
## Medium Pressure Ball Valves

### Specifications

- Steel body from barstock
- Carbon/Graphite filled PTFE seats and seals
- Full port

### Temp. Rating

- -20°F to 425°F



### MPV Series

SIZE	PART NUMBER	THREAD SIZE	WORKING PRESSURE		DIMENSIONS (IN.)		
			PSI	BAR	A	B	C
* 1/4"	MPV-14-NPT	1/4" NPT	3000	205	2.00	1.06	3.78
* 1/4"	MPV-14-SAE	7/16" -20 ORB	3000	205	2.00	1.06	3.78
* 3/8"	MPV-38-NPT	3/8" NPT	3000	205	2.00	1.06	3.78
* 3/8"	MPV-38-SAE	9/16" -18 ORB	3000	205	2.00	1.06	3.78
1/2"	MPV-12-NPT	1/2" NPT	3000	205	2.72	1.62	4.78
1/2"	MPV-12-SAE	3/4" -16 ORB	3000	205	2.72	1.62	4.78
3/4"	MPV-34-NPT	3/4" NPT	3000	205	3.49	1.88	4.78
3/4"	MPV-34-SAE	1 1/16" -12 ORB	3000	205	3.49	1.88	4.78
1"	MPV-1-NPT	1" NPT	3000	205	3.93	2.50	6.10
1"	MPV-1-SAE	1 5/16" -12 ORB	3000	205	3.93	2.50	6.10

\*Stainless steel ball

# 171N Series

## Low Pressure Brass Ball Valves

### Specifications

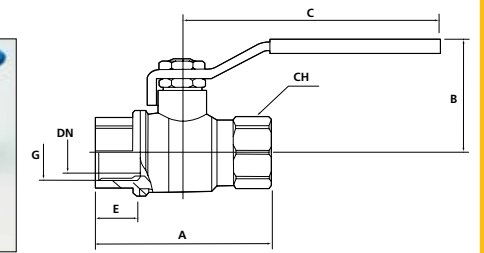
- Full port
- Blow-out proof stem
- PTFE seats, seals, washer
- Chrome plated Brass ball
- Temp rated -22°F to 366°F



Regular Handle



Locking Handle



### Regular Handle

SIZE	THREAD SIZE	PART NUMBER	PSI	DN	DIMENSIONS (IN.)				
					B	A	C	E	CH
1/2"	1/2" NPTF	171N-12-NPT	600	.58	2.08	2.05	3.54	.52	.78
3/4"	3/4" NPTF	171N-34-NPT	600	.74	2.30	2.36	3.78	.56	1.20
1"	1" NPTF	171N-1-NPT	600	.94	2.68	2.75	4.52	.66	1.50
1 1/4"	1 1/4" NPTF	171N-114-NPT	600	1.26	3.14	3.30	4.52	.70	1.82
1 1/2"	1 1/2" NPTF	171N-112-NPT	600	1.57	3.61	3.66	5.51	.72	2.09
2"	2" NPTF	171N-2-NPT	600	1.97	3.68	4.18	5.51	.74	2.12

### Locking Handle

SIZE	THREAD SIZE	PART NUMBER	PSI	DN	DIMENSIONS (IN.)				
					B	A	C	E	CH
1/4"	1/4" NPTF	171N-14-NPT-LH	600	.39	1.83	2.02	3.78	.39	.78
3/8"	3/8" NPTF	171N-38-NPT-LH	600	.39	1.83	2.02	3.78	.39	.78
1/2"	1/2" NPTF	171N-12-NPT-LH	600	.59	1.99	2.44	3.78	.53	.98
3/4"	3/4" NPTF	171N-34-NPT-LH	600	.79	2.48	2.71	4.84	.55	1.22
1"	1" NPTF	171N-1-NPT-LH	600	.98	2.64	3.07	4.84	.66	1.49
1 1/4"	1 1/4" NPTF	171N-114-NPT-LH	600	1.29	3.15	3.42	5.94	.68	1.88
1 1/2"	1 1/2" NPTF	171N-112-NPT-LH	600	1.57	3.38	3.89	5.94	.68	2.12
2"	2" NPTF	171N-2-NPT-LH	600	1.96	3.74	4.33	6.30	.69	2.63

# 383 Series

## Low Pressure Mini Ball Valves

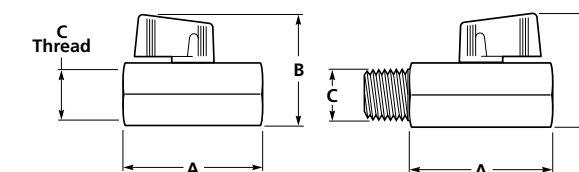
### Specifications

- One piece body
- Blow-out proof stem
- FPM O-Rings
- PTFE seats
- Temp rated 4°F to 200°F



### 383 Series

SIZE	PART NUMBER	THREAD (C)	PSI	A	B
1/8"	383N-18-NPT	1/8"F x 1/8"F NPTF	450	1.71	1.50
1/8"	383M-18-NPT	1/8"F x 1/8"M NPTF	450	1.71	1.50
1/4"	383N-14-NPT	1/4"F x 1/4"F NPTF	450	1.71	1.50
1/4"	383M-14-NPT	1/4"F x 1/4"M NPTF	450	1.71	1.50
3/8"	383N-38-NPT	3/8"F x 3/8"F NPTF	450	1.71	1.50
3/8"	383M-38-NPT	3/8"F x 3/8"M NPTF	450	1.71	1.50
1/2"	383N-12-NPT	1/2"F x 1/2"F NPTF	450	2.10	1.73
1/2"	383M-12-NPT	1/2"F x 1/2"M NPTF	450	2.10	1.73





# SLB Series

## Low Pressure Stainless Steel Ball Valves

### Specifications

- 316 Stainless body, ball and stem
- Pure PTFE seats
- Blow-out proof stems
- Lock handle standard
- Full port

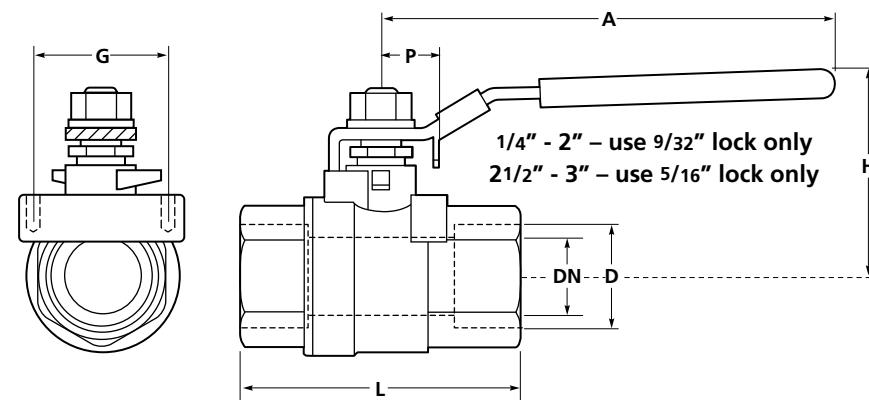
### Temp. Rating

- -20°F to 350°F



### SLB Series

				DIMENSIONS (IN.)							
SIZE	THREAD SIZE	PART NUMBER	PSI	D	DN	P	L	G	A	H	
1/4"	1/4" NPTF	SLB-14-NPT-LH	1000	1/4"	.45	.38	2.16	1.12	3.93	1.96	
3/8"	3/8" NPTF	SLB-38-NPT-LH	1000	3/8"	.49	.38	2.16	1.12	3.93	1.96	
1/2"	1/2" NPTF	SLB-12-NPT-LH	1000	1/2"	.59	.43	2.55	1.12	5.11	2.36	
3/4"	3/4" NPTF	SLB-34-NPT-LH	1000	3/4"	.78	.43	2.93	1.38	5.11	2.51	
1"	1" NPTF	SLB-1-NPT-LH	1000	1"	.98	.53	3.46	1.38	6.49	2.79	
1 1/4"	1 1/4" NPTF	SLB-114-NPT-LH	1000	1 1/4"	1.25	.53	4.01	1.50	6.49	3.07	
1 1/2"	1 1/2" NPTF	SLB-112-NPT-LH	1000	1 1/2"	1.49	.61	4.33	1.50	7.48	3.38	
2"	2" NPTF	SLB-2-NPT-LH	1000	2"	1.96	.61	4.92	1.50	7.48	3.74	
2 1/2"	2 1/2" NPTF	SLB-212-NPT-LH	1000	2 1/2"	2.56	1.75	6.02	2.56	9.61	4.72	
3"	3" NPTF	SLB-3-NPT-LH	1000	3"	3.15	1.75	6.85	2.56	9.61	5.16	



# Flow Control Valves

### Specifications

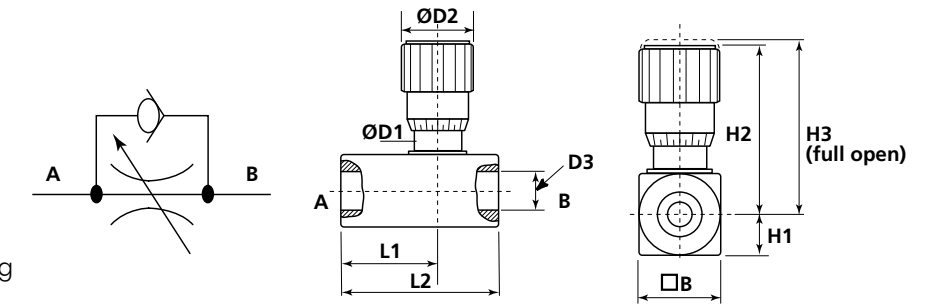
- Micrometer adjustment knob for accurate valve setting
- Rugged construction
- Carbon steel body with black oxide plating
- Zinc alloy handle
- Steel set screw
- Buna-O-Ring/PTFE stem packing

### Maximum Pressure

- 5000 PSI

### Temp. Rating

- -4°F to 176°F



		DIMENSIONS (IN.)									
SIZE	PART NUMBER	B	D1	D2	D3	H1	H2	H3	L1	L2	WEIGHT
1/4"	FCV2818-2	1.10	0.76	1.18	1/4" NPTF	0.55	2.41	2.67	1.54	2.52	0.90 lbs
3/8"	FCV2818-3	1.10	0.76	1.18	3/8" NPTF	0.55	2.41	2.67	1.69	2.75	0.90 lbs
1/2"	FCV2818-4	1.50	0.95	1.46	1/2" NPTF	0.75	3.07	3.41	2.05	3.27	2.00 lbs
3/4"	FCV2818-6	1.50	0.95	1.46	3/4" NPTF	0.75	3.08	3.41	2.19	3.50	2.00 lbs
1"	FCV2818-8	1.89	1.38	1.89	1" NPTF	0.94	4.03	4.50	2.79	4.60	4.20 lbs
1 1/4"	FCV2818-10	2.38	1.96	2.28	1 1/4" NPTF	1.18	5.25	5.88	3.39	6.07	9.55 lbs
3/8"	FCV2818-3- <i>SAE</i>	1.10	0.76	1.18	06 SAE	0.55	2.41	2.67	1.69	2.75	0.90 lbs

Flow Control Valve



# Needle Valves

### Specifications

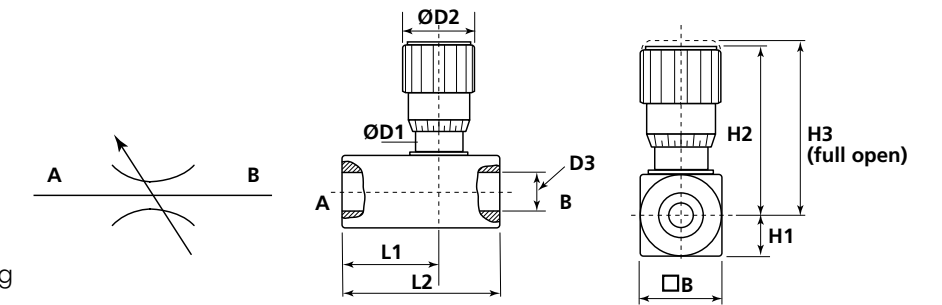
- Micrometer adjustment knob for accurate valve setting
- Rugged construction
- Carbon steel body with black oxide plating
- Zinc alloy handle
- Steel set screw
- Buna-O-Ring/PTFE stem packing

### Maximum Pressure

- 5000 PSI

### Temp. Rating

- -4°F to 176°F



		DIMENSIONS (IN.)									
SIZE	PART NUMBER	B	D1	D2	D3	H1	H2	H3	L1	L2	WEIGHT
1/4"	NVI2810-2	1.10	0.76	1.18	1/4" NPTF	0.55	2.41	2.67	1.54	2.52	0.90 lbs
3/8"	NVI2810-3	1.10	0.76	1.18	3/8" NPTF	0.55	2.41	2.67	1.69	2.75	0.90 lbs
1/2"	NVI2810-4	1.50	0.95	1.46	1/2" NPTF	0.75	3.07	3.41	2.05	3.27	2.00 lbs
3/4"	NVI2810-6	1.50	0.95	1.46	3/4" NPTF	0.75	3.08	3.41	2.19	3.50	2.00 lbs
1"	NVI2810-8	1.89	1.38	1.89	1" NPTF	0.94	4.03	4.50	2.79	4.60	4.20 lbs
1 1/4"	NVI2810-10	2.39	1.74	2.26	1 1/4" NPTF	1.20	5.34	5.88	2.24	4.49	7.50 lbs
1 1/2"	NVI2810-12	2.76	2.38	3.17	1 1/2" NPTF	1.38	6.30	7.13	2.41	4.81	15.40 lbs
3/8"	NVI2810-3- <i>SAE</i>	1.10	0.76	1.18	06 SAE	0.55	2.41	2.67	1.69	2.75	0.90 lbs

Needle Valve





# PC-100 Series

## Needle Valves



### Specifications

- Made in the USA
- Compact valve size built for maximum durability and performance
- Available in zinc plated steel, brass, and 316 stainless steel
- FKM o-ring and PTFE back-up ring below the stem threads to protect from corrosion
- All stem threads are rolled for strength and ease of operation
- Patented body-to-bonnet, metal-to-metal seal is designed to increase pressure range

### Orifice Size

0.172"

### Flow Coefficient

Cv 0.42

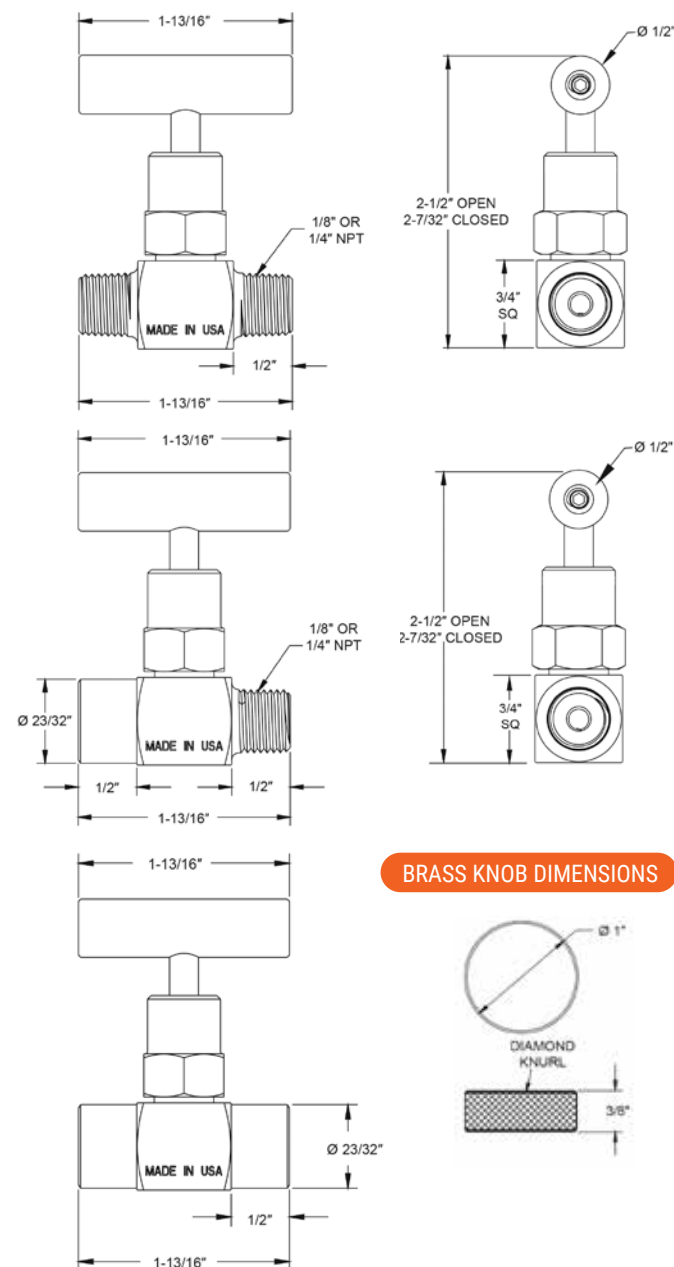
### Pressure

Brass 6000 PSI

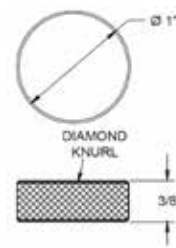
Steel and Stainless 10,000 PSI

PART NUMBER	SIZE	THREAD	MATERIAL
PC-101-FFB	1/8"	1/8" FxF	BRASS
PC-101-MFB	1/8"	1/8" MxF	BRASS
PC-101-MMB	1/8"	1/8" MxM	BRASS
PC-101-FFC	1/8"	1/8" FxF	STEEL
PC-101-MFC	1/8"	1/8" MxF	STEEL
PC-101-MMC	1/8"	1/8" MxM	STEEL
PC-101-FFS	1/8"	1/8" FxF	STAINLESS
PC-101-MFS	1/8"	1/8" MxF	STAINLESS
PC-101-MMS	1/8"	1/8" MxM	STAINLESS
PC-102-FFB	1/4"	1/4" FxF	BRASS
PC-102-MFB	1/4"	1/4" MxF	BRASS
PC-102-MMB	1/4"	1/4" MxM	BRASS
PC-102-FFC	1/4"	1/4" FxF	STEEL
PC-102-MFC	1/4"	1/4" MxF	STEEL
PC-102-MMC	1/4"	1/4" MxM	STEEL
PC-102-FFS	1/4"	1/4" FxF	STAINLESS
PC-102-MFS	1/4"	1/4" MxF	STAINLESS
PC-102-MMS	1/4"	1/4" MxM	STAINLESS

### 1/8" - 1/4" DIMENSIONS



### BRASS KNOB DIMENSIONS



# PC-400 Series

## Needle Valves

### Specifications

- Made in the USA
- Blow-out proof stem provides a secondary stem seal in the fully opened position
- FKM o-ring seal and PTFE back-up ring below the stem threads to protect from corrosion
- All stem threads are rolled for strength and ease of operation
- One piece bonnet with a metal-to-metal seal to the valve body below the bonnet threads
- Slotted spring pin to prevent accidental loosening
- Vinyl dust cap for bonnet and stem (non-packing)
- Available in steel and 316 stainless steel
- All stainless valves meet NACE requirements
- 10,000 PSI rated

### Orifice Sizes

1/4" x 1/2" 0.187"

3/4" x 1-1/2" 0.438"

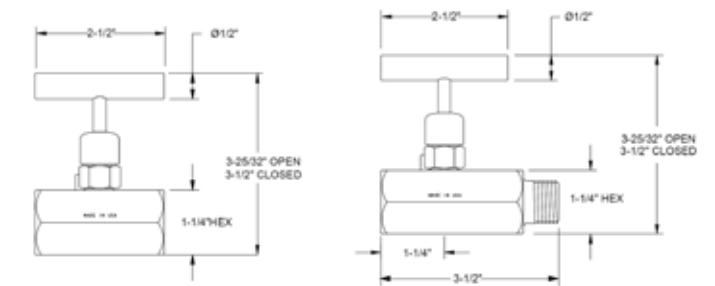
### Flow Coefficient

1/4" x 1/2" Cv 0.44

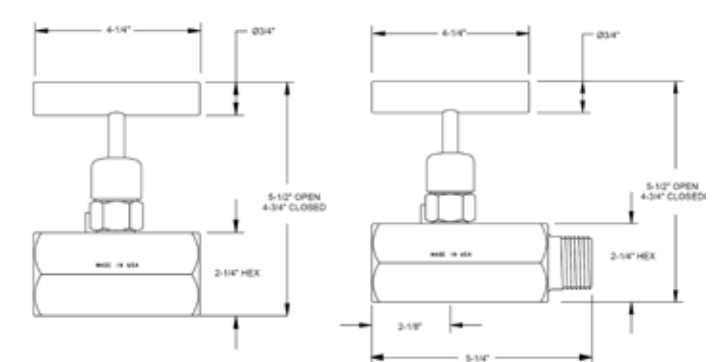
3/4" x 1-1/2" Cv 2.70



### 1/4" - 1/2" DIMENSIONS

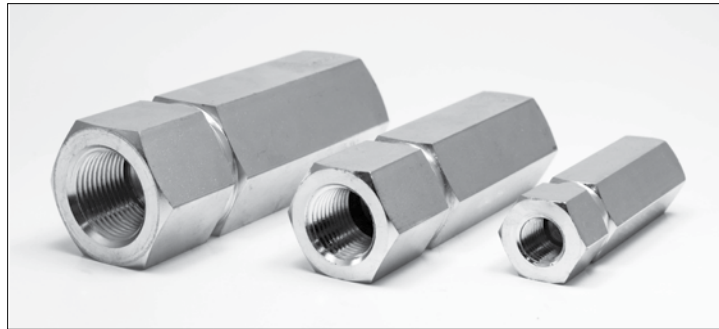


### 3/4" - 1-1/2" DIMENSIONS



# VU Series

## Soft-Seat Check Valves-Steel



### Rated Pressure - PSI

BODY SIZE	PSI
1/4"	10,000
3/8"	10,000
1/2"	7250
3/4"	7250
1"	7250
1 1/4"	4350
1 1/2"	4350
2"	4350

### Steel

#### Features

- Zinc clear plated body
- Captive Buna-N seal
- One piece body

#### Applications

- Agriculture
- Construction
- Hydraulic
- Pneumatic

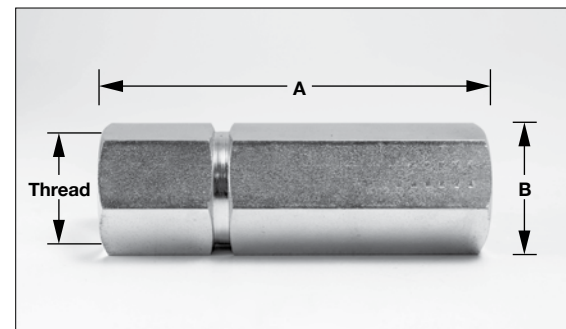
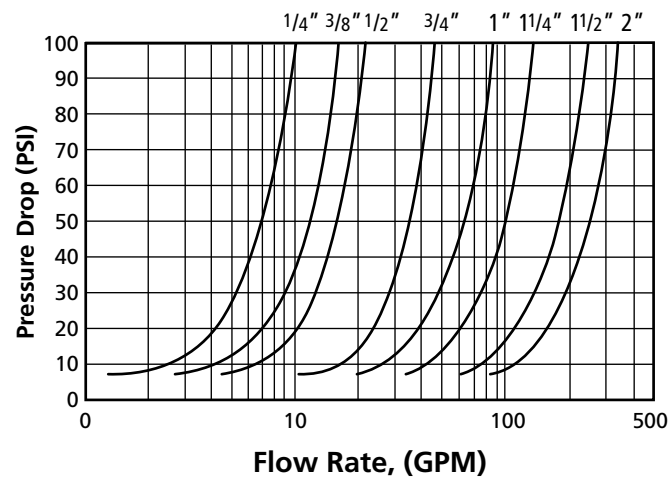
#### Spring Pressures

- 7 or 70 PSI

SIZE	PART NUMBER	THREAD	SPRING	DIMENSIONS (IN.)	
				A	B
1/4"	VU-14-F-7	1/4" NPTF	7 PSI	2.83	.87
1/4"	VU-14-F-70	1/4" NPTF	70 PSI	2.83	.87
3/8"	VU-38-F-7	3/8" NPTF	7 PSI	3.19	.94
3/8"	VU-38-F-70	3/8" NPTF	70 PSI	3.19	.94
1/2"	VU-12-F-7	1/2" NPTF	7 PSI	3.78	1.18
1/2"	VU-12-F-70	1/2" NPTF	70 PSI	3.78	1.18
3/4"	VU-34-F-7	3/4" NPTF	7 PSI	4.28	1.50
3/4"	VU-34-F-70	3/4" NPTF	70 PSI	4.28	1.50
1"	VU-1-F-7	1" NPTF	7 PSI	4.96	1.81
1"	VU-1-F-70	1" NPTF	70 PSI	4.96	1.81
1 1/4"	VU-114-F-7	1 1/4" NPTF	7 PSI	5.12	2.17
1 1/2"	VU-112-F-7	1 1/2" NPTF	7 PSI	5.31	2.56
2"	VU-2-F-7	2" NPTF	7 PSI	5.91	2.95

### Performance:

#### Pressure Drop vs. Flow Rate



# VU Series

## 316 Stainless Steel Soft-Seat Check Valves



### Rated Pressure - PSI

BODY SIZE	PSI
1/4"	5145
3/8"	5145
1/2"	5145
3/4"	4410
1"	3675
1 1/4"	3675
1 1/2"	3675
2"	2200

### Stainless Steel

#### Features

- 316 stainless body
- 302 stainless springs
- FKM/FPM poppet seal
- Low pressure drop

#### Applications

- Construction
- Chemical
- Hydraulic tools

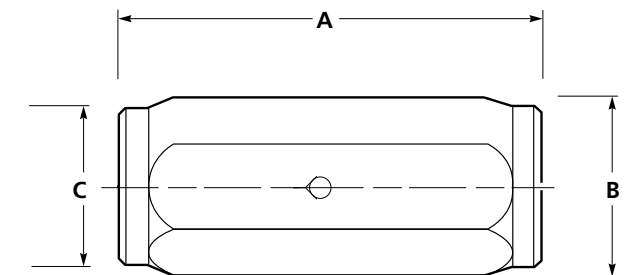
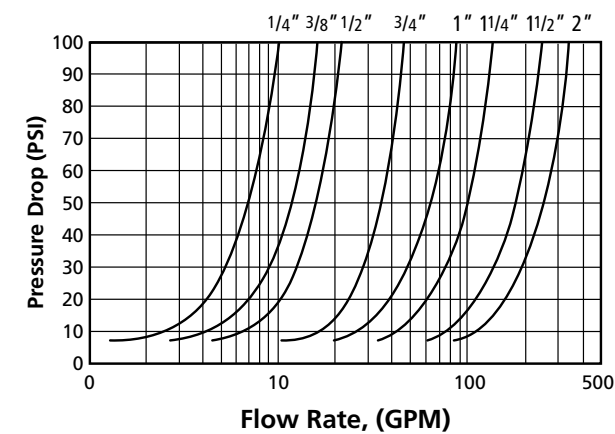
#### Spring Pressures

- 7 PSI only

SIZE	PART NUMBER	THREAD C	A	B
1/4"	VU-14-F-7-SS	1/4" NPTF	1.97	.75
3/8"	VU-38-F-7-SS	3/8" NPTF	2.36	.94
1/2"	VU-12-F-7-SS	1/2" NPTF	2.56	1.60
3/4"	VU-34-F-7-SS	3/4" NPTF	2.95	1.34
1"	VU-1-F-7-SS	1" NPTF	3.66	1.61
1 1/4"	VU-114-F-7-SS	1 1/4" NPTF	4.33	1.97
1 1/2"	VU-112-F-7-SS	1 1/2" NPTF	4.41	2.17
2"	VU-2-F-7-SS	2" NPTF	4.72	2.95

### Performance:

#### Pressure Drop vs. Flow Rate



# HSP Series

## Hard Seat Check Valves-Steel



### Features

- Zinc clear plated body (RoHs compliant)
- Metal-to-metal seat
- One-piece body

### Applications

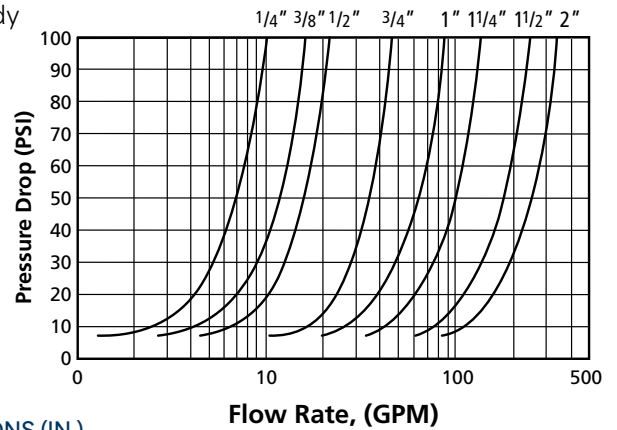
- Hydraulic
- Chemical
- Construction

### Spring Pressures

- 5 or 65 PSI

### Steel

### Pressure Drop vs. Flow Rate



### NPT

#### DIMENSIONS (IN.)

SIZE	PART NUMBER	THREAD C	SPRING	B	C
1/4"	HSP-1000-2-5	1/4" NPTF	5 PSI	2.44	.87
1/4"	HSP-1000-2-65	1/4" NPTF	65 PSI	2.44	.87
3/8"	HSP-1000-3-5	3/8" NPTF	5 PSI	2.87	.95
3/8"	HSP-1000-3-65	3/8" NPTF	65 PSI	2.87	.95
1/2"	HSP-1000-4-5	1/2" NPTF	5 PSI	3.50	1.14
1/2"	HSP-1000-4-65	1/2" NPTF	65 PSI	3.50	1.14
3/4"	HSP-1000-6-5	3/4" NPTF	5 PSI	4.25	1.50
3/4"	HSP-1000-6-65	3/4" NPTF	65 PSI	4.25	1.50
1"	HSP-1000-8-5	1" NPTF	5 PSI	5.12	1.69
1"	HSP-1000-8-65	1" NPTF	65 PSI	5.12	1.69
1 1/4"	HSP-1000-10-5	1 1/4" NPTF	5 PSI	5.56	2.40
1 1/4"	HSP-1000-10-65	1 1/4" NPTF	65 PSI	5.56	2.40
1 1/2"	HSP-1000-12-5	1 1/2" NPTF	5 PSI	5.56	2.56
1 1/2"	HSP-1000-12-65	1 1/2" NPTF	65 PSI	5.56	2.56
2"	HSP-1000-16-5	2" NPTF	5 PSI	7.91	3.15
2"	HSP-1000-16-65	2" NPTF	65 PSI	7.91	3.15

### Flow Rate, (GPM)

### Rated Flow

BODY SIZE	GPM
1/4"	6
3/8"	9.5
1/2"	18
3/4"	30
1"	35
1 1/4"	60
1 1/2"	90
2"	145

### Rated Pressure - PSI

BODY SIZE	PSI
1/4"	6000
3/8"	6000
1/2"	5000
3/4"	5000
1"	5000
1 1/4"	3000
1 1/2"	3000
2"	3000

### ORB

#### DIMENSIONS (IN.)

SIZE	PART NUMBER	THREAD C	SPRING	B	C
1/4"	HSP-1001-4-5	7/16" -20 ORB	5 PSI	2.44	.87
1/4"	HSP-1001-4-65	7/16" -20 ORB	65 PSI	2.44	.87
3/8"	HSP-1001-6-5	9/16" -18 ORB	5 PSI	2.87	.95
3/8"	HSP-1001-6-65	9/16" -18 ORB	65 PSI	2.87	.95
1/2"	HSP-1001-8-5	3/4" -16 ORB	5 PSI	3.50	1.14
1/2"	HSP-1001-8-65	3/4" -16 ORB	65 PSI	3.50	1.14
3/4"	HSP-1001-12-5	1 1/16" -12 ORB	5 PSI	4.25	1.50
3/4"	HSP-1001-12-65	1 1/16" -12 ORB	65 PSI	4.25	1.50
1"	HSP-1001-16-5	1 5/16" -12 ORB	5 PSI	5.12	1.69
1"	HSP-1001-16-65	1 5/16" -12 ORB	65 PSI	5.12	1.69
1 1/4"	HSP-1001-20-5	1 5/8" -12 ORB	5 PSI	5.56	2.40
1 1/4"	HSP-1001-20-65	1 5/8" -12 ORB	65 PSI	5.56	2.40
1 1/2"	HSP-1001-24-5	1 7/8" -12 ORB	5 PSI	5.56	2.56
1 1/2"	HSP-1001-24-65	1 7/8" -12 ORB	65 PSI	5.56	2.56

