

*Fast. Friendly. Reliable.*



- Quick Couplings
- Diagnostics
- Clamps
- Ball Valves
- Gauges
- Flow Controls
- Check Valves



**PCI**  
HYDRAULICS+

# Table of Contents

## SERIES.....PAGE

QUICK COUPLINGS	
FLUSH FACE.....	1- 8
HNV ISO-B.....	9-11
ANV ISO-A.....	12-13
NS/NV AGRICULTURAL.....	14-16
FB WING NUT.....	17-18
VVP SCREW TYPE.....	19-20
PVEP HEAVY DUTY SCREW TYPE.....	21-22
PVV HIGH PRESSURE SCREW TYPE.....	23-24
PC35 ULTRA HIGH PRESSURE .....	25
TNV/TNL VALVED/UNVALVED.....	26-28
ST STRAIGHT THROUGH/NON-VALVED.....	29-31

DIAGNOSTICS & GAUGES	
PPD PUSH TO CONNECT .....	33
H900 THREAD TO CONNECT.....	34-36
HSP1720 ORFS TEST COUPLINGS .....	37
HSP1040 JIC TEST COUPLINGS.....	38
PCLG ANALOG GAUGES.....	39
PCDG DIGITAL GAUGES.....	40
H900 TEST KITS.....	41

HIGH PRESSURE BALL VALVES	
NBKH.....	43
BKH.....	44
SKH.....	45-46
HRKH.....	45
RKH .....	46
STECKO.....	47
BK3.....	48-49
SK3.....	50
PV2/PV3 .....	51
SPLIT FLANGE.....	52
FULL FLANGE.....	53
SPLIT X FULL FLANGE.....	54
FCKH WAFER.....	55
ACCESSORIES .....	56
ACTUATORS .....	57
QUALITY/WARNINGS.....	58

## SERIES.....PAGE

PRESSURE WASH VALVES	
PW5000.....	59
PW5000-ST.....	60
MPV-ST.....	60
BKH-ST.....	60

LOW-MEDIUM PRESSURE BALL VALVES	
MPV .....	61
171N .....	62
383 .....	62
SLB .....	63

FLOW CONTROL / NEEDLE VALVES	
FCV .....	64
NVI .....	64
PC100 .....	65
PC400 .....	66

CHECK VALVES	
VU.....	67-68
HSP.....	69

PIPE, TUBE & HOSE CLAMPS	
STANDARD.....	70-74
TWIN.....	75-78
HEAVY.....	79-83

ABOUT US.....	84
TERMS AND CONDITIONS.....	85



Products in this catalog can expose you to chemicals including lead and/or nickel, which are known to the State of California to cause cancer and birth defects.

For more information, go to: [www.p65warnings.ca.gov](http://www.p65warnings.ca.gov).



# FF Series

## ISO-16028 Flush Face Couplings

The FF Series is a flat face dry break coupling that meets or exceeds the ISO 16028 standard.

### Features

- Non-spill / Flush Face Design
- Push to connect
- Sleeve lock standard
- Anti-Blowout Nitrile
- PTFE Bonded Seal

### Applications

- Hydraulic tool
- Skidsteer loaders
- Agricultural
- Overhead bucket hoists
- Chemical
- Railway
- Public utilities

### Interchangeability

- ISO 16028

### Materials

- Zinc Nickel plated steel
- Buna-N seals standard

### Sizes

- 1/8" to 1" nominal

### Temp. Rating

- -22°F to +230°F

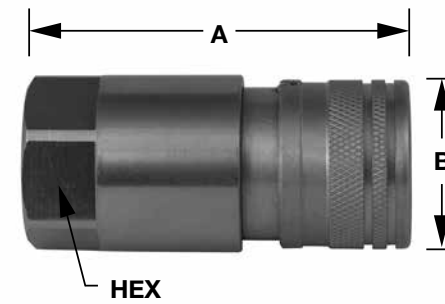
### Rated Pressure

- 5000 PSI in sizes 1/8" to 1/2"
- 3625 PSI max. in sizes 3/4" to 1"



# FF Series

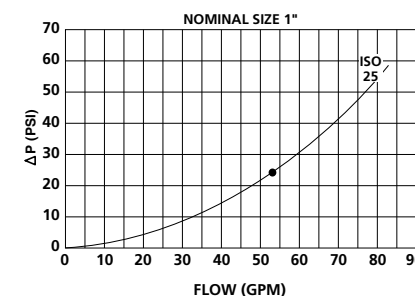
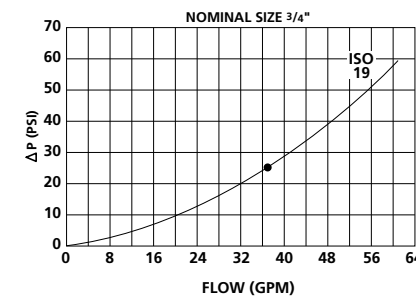
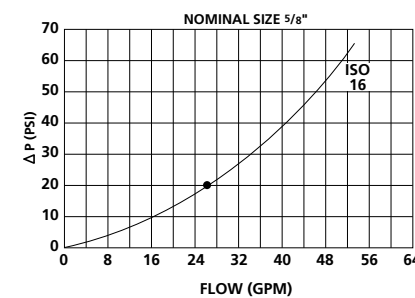
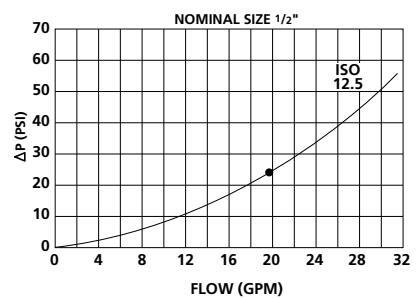
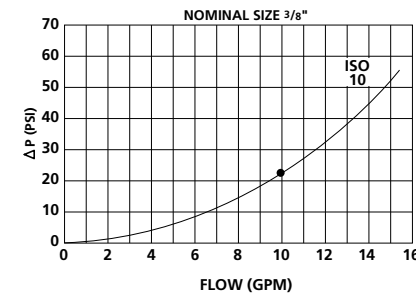
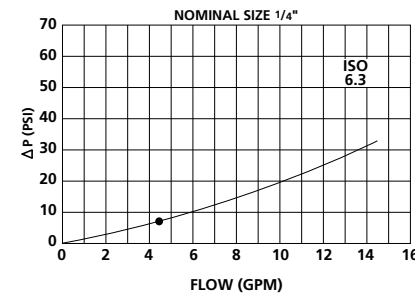
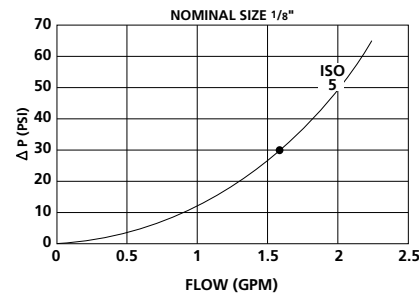
## ISO-16028 Flush Face Couplings



### Coupler

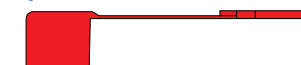
BODY SIZE	ISO SIZE	PART NUMBER		DIMENSIONS (IN.)		
		STEEL	THREAD SIZE	A	B	HEX
1/8"	5	FF02-02F-NPT	1/8" NPTF	1.91	.56	.67
1/4"	6.3	FF04-04F-NPT	1/4" NPTF	1.94	1.10	.94
1/4"	6.3	FF04-06F-ORB	9/16"-18 ORB	1.94	1.10	.94
3/8"	10	FF06-06F-NPT	3/8" NPTF	2.69	1.26	.94
3/8"	10	FF06-08F-NPT	1/2" NPTF	2.69	1.26	.94
3/8"	10	FF06-06F-ORB	9/16"-18 ORB	2.97	1.26	.94
3/8"	10	FF06-08F-ORB	3/4"-16 ORB	2.97	1.26	.94
1/2"	12.5	FF08-08F-NPT	1/2" NPTF	2.96	1.49	1.26
1/2"	12.5	FF08-12F-NPT	3/4" NPTF	2.96	1.49	1.26
1/2"	12.5	FF08-10F-ORB	7/8"-14 ORB	3.42	1.49	1.33
1/2"	12.5	FF08-08F-ORB	3/4"-16 ORB	3.42	1.49	1.33
1/2"	12.5	FF08-12F-ORB	11/16"-12 ORB	3.42	1.49	1.33
5/8"	16	FF10-08F-NPT	1/2" NPTF	3.16	1.65	1.42
5/8"	16	FF10-12F-NPT	3/4" NPTF	3.16	1.65	1.42
5/8"	16	FF10-10F-ORB	7/8"-14 ORB	3.53	1.65	1.42
5/8"	16	FF10-08F-ORB	3/4" NPTF	3.53	1.65	1.42
5/8"	16	FF10-12F-ORB	11/16"-12 ORB	3.53	1.65	1.42
3/4"	19	FF12-12F-NPT	3/4" NPTF	3.93	1.88	1.61
3/4"	19	FF12-16F-NPT	1" NPTF	3.93	1.88	1.61
3/4"	19	FF12-12F-ORB	11/16"-12 ORB	4.18	1.88	1.61
3/4"	19	FF12-16F-ORB	15/16"-12 ORB	4.18	1.88	1.61
1"	25	FF16-16F-NPT	1" NPTF	4.21	2.16	1.97
1"	25	FF16-20F-NPT	1 1/4" NPTF	4.21	2.16	1.97
1"	25	FF16-20F-ORB	1 5/8"-12 ORB	4.52	2.16	1.97

### Performance:



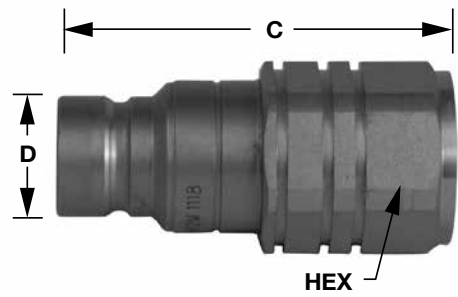
### Dust Protector For Coupler - Rubber (Red)

SIZE	ISO SIZE	PART NUMBER
1/4"	6.3	FF04-FC
3/8"	10	FF06-FC
1/2"	12.5	FF08-FC
5/8"	16	FF10-FC
3/4"	19	FF12-FC
1"	25	FF16-FC



# FF Series

## ISO-16028 Flush Face Couplings



### Plug

BODY SIZE	ISO SIZE	PART NUMBER		DIMENSIONS (IN.)		
		STEEL	THREAD SIZE	C	D	HEX
1/8"	5	FF02-02M-NPT	1/8" NPTF	1.52	.46	.67
1/4"	6.3	FF04-04M-NPT	1/4" NPTF	1.94	.63	.78
1/4"	6.3	FF04-06M-ORB	9/16"-18 ORB	1.94	.63	.78
3/8"	10	FF06-06M-NPT	3/8" NPTF	2.18	.77	.95
3/8"	10	FF06-08M-NPT	1/2" NPTF	2.18	.77	.95
3/8"	10	FF06-06M-ORB	9/16"-18 ORB	2.18	.77	.95
3/8"	10	FF06-08M-ORB	3/4"-16 ORB	2.18	.77	.95
1/2"	12.5	FF08-08M-NPT	1/2" NPTF	2.81	.96	1.26
1/2"	12.5	FF10-08M-NPT	3/4" NPTF	2.81	.96	1.26
1/2"	12.5	FF08-12M-NPT	7/8"-14 ORB	2.81	.96	1.26
1/2"	12.5	FF08-10M-ORB	3/4"-16 ORB	2.81	.96	1.26
1/2"	12.5	FF08-08M-ORB	11/16"-12 ORB	2.81	.96	1.26
5/8"	16	FF08-12M-ORB	1/2" NPTF	2.95	1.06	1.42
5/8"	16	FF10-12M-NPT	3/4" NPTF	2.95	1.06	1.42
5/8"	16	FF10-10M-ORB	7/8"-14 ORB	2.95	1.06	1.42
5/8"	16	FF10-08M-ORB	3/4" NPTF	2.95	1.06	1.42
5/8"	16	FF10-12M-ORB	11/16"-12 ORB	2.95	1.06	1.42
3/4"	19	FF12-12M-NPT	3/4" NPTF	3.69	1.17	1.61
3/4"	19	FF12-16M-NPT	1" NPTF	3.69	1.17	1.61
3/4"	19	FF12-12M-ORB	11/16"-12 ORB	3.69	1.17	1.61
3/4"	19	FF12-16M-ORB	15/16"-12 ORB	3.69	1.17	1.61
1"	25	FF16-16M-NPT	1" NPTF	3.54	1.48	2.16
1"	25	FF16-20M-NPT	1 1/4" NPTF	3.54	1.48	2.16
1"	25	FF16-20M-ORB	1 5/8"-12 ORB	3.54	1.48	2.16

### Dust Protector For Plug - Rubber (Red)

SIZE	ISO SIZE	PART NUMBER
1/4"	6.3	FF04-MC
3/8"	10	FF06-MC
1/2"	12.5	FF08-MC
5/8"	16	FF10-MC
3/4"	19	FF12-MC
1"	25	FF16-MC



# FF Series

## ISO-16028-5675 Combination Couplings

### Features

- Non-spill by poppet combination
- Easily adapt farm implements to use with a skid steer
- 1/2" body size
- Push to connect
- Sleeve lock standard
- Zinc nickel plated
- 5,000 PSI rated pressure



### FF Coupler Half X NV Poppet Plug Half

BODY SIZE	ISO SIZE	END CONNECTIONS	PART NUMBER	A	B
1/2"	12.5	FEMALE FLUSH FACE X MALE NV	FF08-N12F/NV-12-M	4.25	1.49



### Dust Protector For Female Side - Rubber (Red)

SIZE	ISO SIZE	PART NUMBER
1/2"	12.5	FF08-FC



### Dust Protector For Male Side - Rubber (Red)

SIZE	ISO SIZE	PART NUMBER
1/2"	12.5	TF-12-R



### FF Plug Half X NV Poppet Coupler Half

BODY SIZE	ISO SIZE	END CONNECTIONS	PART NUMBER	A	B
1/2"	12.5	MALE FLUSH FACE X FEMALE NV	FF08-N12M/NV-12-F	4.15	1.49



### Dust Protector For Female Side - Rubber (Red)

SIZE	ISO SIZE	PART NUMBER
1/2"	12.5	TM-12-R



### Dust Protector For Male Side - Rubber (Red)

SIZE	ISO SIZE	PART NUMBER
1/2"	12.5	FF08-MC



# FFS Series

## ISO-16028 Flush Face Couplings – 316 Stainless Steel

### Features

- Non-spill/flush face design
- Push to connect
- Sleeve lock standard
- Anti-blowout nitrile PTFE bonded seats
- FKM O-rings
- 1/4" to 3/4" body sizes, ISO sizes 6.3-19

### Rated Pressure

- 1/4" 5075 PSI
- 3/8"-3/4" 3625 PSI



### Coupler

BODY SIZE	ISO SIZE	PART NUMBER	THREAD SIZE	A	B	HEX
1/4"	6.3	FFS04-N14F	1/4" NPTF	2.44	1.10	1.06
3/8"	10	FFS06-N38F	3/8" NPTF	2.89	1.26	1.18
3/8"	10	FFS06-N12F	1/2" NPTF	2.89	1.26	1.18
3/8"	10	FFS06-S916F	9/16"-18 ORB	2.89	1.26	1.18
3/8"	10	FFS06-S34F	3/4"-16 ORB	2.89	1.26	1.18
1/2"	12.5	FFS08-N12F	1/2" NPTF	3.43	1.49	1.61
1/2"	12.5	FFS08-N34F	3/4" NPTF	3.43	1.49	1.61
1/2"	12.5	FFS08-S34F	3/4"-16 ORB	3.43	1.49	1.61
1/2"	12.5	FFS08-S116F	11/16"-12 ORB	3.43	1.49	1.61
1/2"	12.5	FFS08-S78F	7/8"-14 ORB	3.43	1.49	1.61
3/4"	19	FFS12-N34F	3/4" NPTF	3.84	1.88	1.81
3/4"	19	FFS12-N1F	1 NPTF	3.84	1.88	1.81
3/4"	19	FFS12-S1516F	15/16"-12 ORB	3.84	1.88	1.81

For dust caps, refer to page 2.



### Plug

BODY SIZE	ISO SIZE	PART NUMBER	THREAD SIZE	A	B	HEX
1/4"	6.3	FFS04-N14M	1/4" NPTF	2.06	.63	.87
3/8"	10	FFS06-N38M	3/8" NPTF	2.46	.77	1.18
3/8"	10	FFS06-N12M	1/2" NPTF	2.46	.77	1.18
3/8"	10	FFS06-S916M	9/16"-18 ORB	2.46	.77	1.18
3/8"	10	FFS06-S34M	3/4"-16 ORB	2.46	.77	1.18
1/2"	12.5	FFS08-N12M	1/2" NPTF	2.87	.96	1.42
1/2"	12.5	FFS08-N34M	3/4" NPTF	2.87	.96	1.42
1/2"	12.5	FFS08-S34M	3/4"-16 ORB	2.87	.96	1.42
1/2"	12.5	FFS08-S116M	11/16"-12 ORB	2.87	.96	1.42
1/2"	12.5	FFS08-S78M	7/8"-14 ORB	2.87	.96	1.42
3/4"	19	FFS12-N34M	3/4" NPTF	3.39	1.17	1.61
3/4"	19	FFS12-N1M	1 NPTF	3.39	1.17	1.61
3/4"	19	FFS12-S1516M	15/16"-12 ORB	3.39	1.17	1.61

For dust caps, refer to page 3.

# 3FF Series

## ISO-16028 Connect Under Pressure Plugs

### Features

- Non-spill/flush face design
- Push to connect
- Connect under pressure up to 3,000 PSI

### Interchangeability

- ISO-16028

### Material

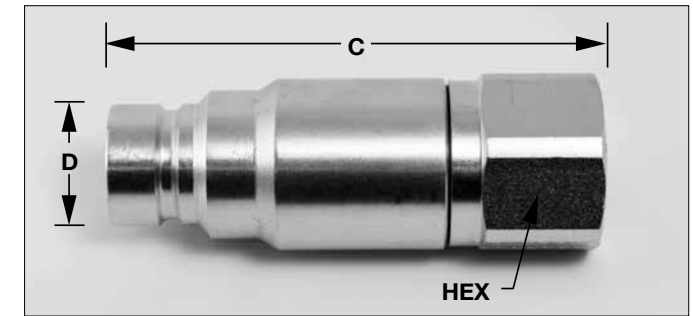
- QPQ plated steel

### Size

- 1/4" to 1" Nominal

### Temp Rating

- -22°F to +230°F

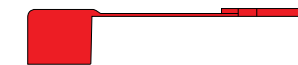


### Plug

BODY SIZE	ISO SIZE	PART NUMBER		DIMENSIONS (IN.)		
		STEEL	THREAD SIZE	C	D	HEX
1/4"	6.3	3FF04-N14M	1/4" NPTF	3.02	.64	.79
3/8"	10	3FF06-N38M	3/8" NPTF	3.07	.78	.95
3/8"	10	3FF06-N12M	1/2" NPTF	3.07	.78	.95
3/8"	10	3FF06-S916M	9/16"-18 ORB	3.07	.78	.95
3/8"	10	3FF06-S34M	3/4"-16 ORB	3.07	.78	.95
1/2"	12.5	3FF08-N12M	1/2" NPTF	3.77	.97	1.26
1/2"	12.5	3FF08-S34M	1/4" NPTF	3.77	.97	1.26
1/2"	12.5	3FF08-S78M	7/8"-14 ORB	3.77	.97	1.26
1/2"	12.5	3FF08-S1116M	11/16"-12 ORB	3.77	.97	1.26
3/4"	19	3FF12-N34M	3/4" NPTF	4.48	1.18	1.81
3/4"	19	3FF12-S1116M	11/16"-12 ORB	4.48	1.18	1.81
1"	25	3FF16-N1M	1" NPTF	4.87	1.41	2.17
1"	25	3FF16-S1516M	15/16"-12 ORB	4.87	1.41	2.17

### Dust Protector For Plug - Rubber (Red)

SIZE	ISO SIZE	PART NUMBER
1/4"	6.3	FF04-MC
3/8"	10	FF06-MC
1/2"	12.5	FF08-MC
3/4"	19	FF12-MC
1"	25	FF16-MC



### Technical Information

SIZE	WORKING PRESSURE	FLOW- GPM	MAX. RESIDUAL PRESSURE	SPILLAGE
1/4"	5000 PSI	8	3000 PSI	0.010 mL
3/8"	4350 PSI	12	3000 PSI	0.010 mL
1/2"	4350 PSI	24	2750 PSI	0.010 mL
3/4"	3625 PSI	53	2200 PSI	0.120 mL
1"	3000 PSI	80	1800 PSI	0.200 mL

# FF90 Series

## ISO-16028-90° Couplings

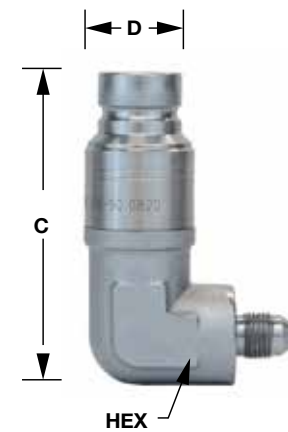
### Features

- 90° connection angle to prevent hose damage
- No need for additional fittings
- Locking sleeve standard
- Zinc nickel plating standard
- Minimal spillage and air inclusion
- ISO-16028 interchange



### Coupler

BODY SIZE	ISO SIZE	PART NUMBER	THREAD SIZE	A	B	HEX
1/2"	12.5	FF90-S916FJ	#6 JIC	3.60	1.49	1.42
1/2"	12.5	FF90-S34FJ	#12 JIC	3.60	1.49	1.42



### Plug

BODY SIZE	ISO SIZE	PART NUMBER	THREAD SIZE	C	D	HEX
1/2"	12.5	FF90-S916MJ	#6 JIC	3.60	.96	1.16
1/2"	12.5	FF90-S34MJ	#12 JIC	3.60	.96	1.16

### Dust Protector For Coupler

SIZE	ISO SIZE	PART NUMBER
1/2"	12.5	FF08-FC



### Dust Protector For Plug

SIZE	ISO SIZE	PART NUMBER
1/2"	12.5	FF08-MC



# BC Series

## Flush Face Replacement Couplings

### Features

- Non-spill/flush face design
- Direct interchange to Faster, Holmbury and Summit Brands
- Compatible with ISO-16028 specifications
- Connectable under pressure
- Zinc nickel plated
- 5075 PSI rated
- Coupler half replaces Bobcat #7246802
- Plug half replaces Bobcat #7246799
- Will fit into any manifold block with either FFH or FFI stamped on it

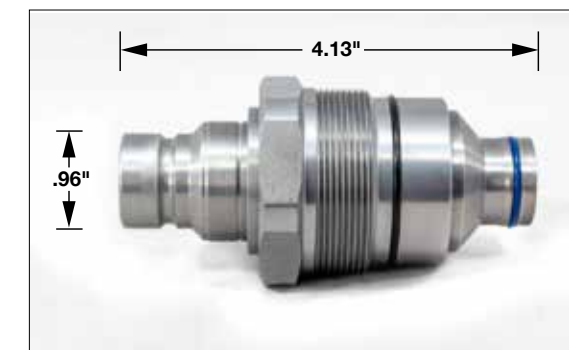


### Coupler

BODY SIZE	ISO SIZE	THREAD	PART NUMBER	MATERIAL
1/2"	12.5	48mm	PC-BC-08F-RC-1/2"	STEEL

### Dust Protector For Coupler

SIZE	ISO SIZE	PART NUMBER
1/2"	12.5	FF08-FC



### Plug

BODY SIZE	ISO SIZE	THREAD	PART NUMBER	MATERIAL
1/2"	12.5	48mm	PC-BC-08M-RC-1/2"	STEEL

### Dust Protector For Plug

SIZE	ISO SIZE	PART NUMBER
1/2"	12.5	FF08-MC





# HNV Series

## ISO-B Industrial Interchange

### Features

- Industry wide interchange
- High flow capacity
- Positive valve stop
- Bubble tight sealing
- Buna-N O-Rings
- PTFE backup rings

### Applications

- Hydraulic
- Chemical
- Steam
- Vacuum
- Transportation
- Fluid transfer

### Interchangeability

- ISO 7241-I Series B
- Parker
- Aeroquip
- Safeway
- Faster
- Dixon
- DNP
- Stucchi

### Materials

- Steel
- Brass
- 316 Stainless

### Sizes

- 1/8" to 1"

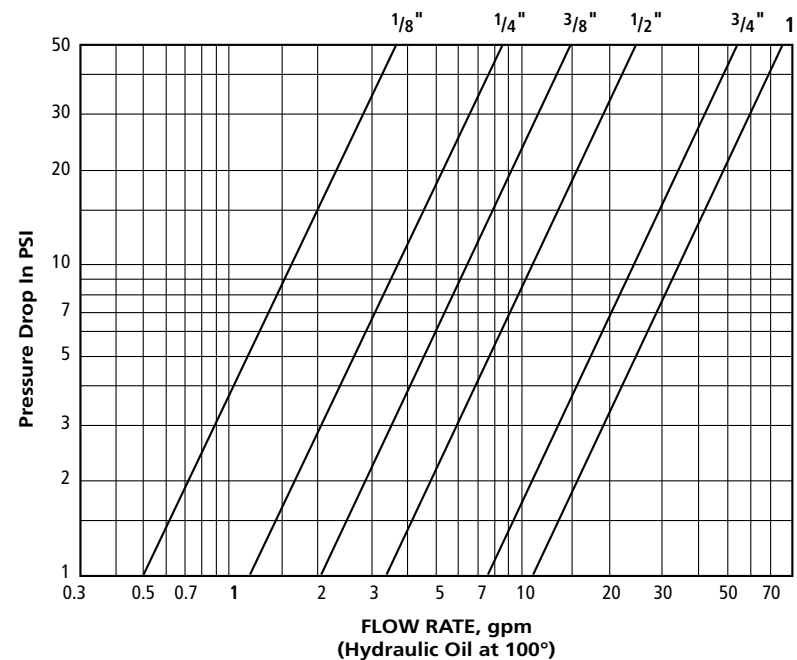
### Temp. Rating

- -22°F to +230°F



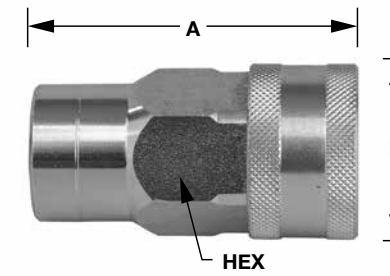
### Rated Pressure (PSI)

BODY SIZE	STEEL	BRASS	316 SS
1/8"	4650	4300	5000
1/4"	4100	2900	3500
3/8"	3780	2900	3000
1/2"	3780	2650	2000
3/4"	3045	2000	1500
1"	3045	2000	1500



# HNV Series

## ISO-B 1/8"-1" Sizes



### Coupler (NPT)

BODY SIZE	PART NUMBER			THREAD	STEEL DIMENSIONS (IN.)		
	STEEL	BRASS	316 STAINLESS		A	B	HEX
1/8"	HNV-18-F	HNV-18-F-5	N/A	1/8" NPTF	1.93	.87	.56
1/4"	HNV-14-F	HNV-14-F-5	HNV-14-F-3	1/4" NPTF	2.26	1.06	.75
3/8"	HNV-38-F	HNV-38-F-5	HNV-38-F-3	3/8" NPTF	2.62	1.38	.94
1/2"	HNV-12-F	HNV-12-F-5	HNV-12-F-3	1/2" NPTF	2.91	1.65	1.06
3/4"	HNV-34-F	HNV-34-F-5	HNV-34-F-3	3/4" NPTF	3.58	2.05	1.42
1"	HNV-1-F	HNV-1-F-5	HNV-1-F-3	1" NPTF	4.10	2.36	1.61

Note: Contact PCI for brass and stainless dimensions

### Coupler (ORB)

BODY SIZE	PART NUMBER		DIMENSIONS (IN.)		
	STEEL	THREAD	A	B	HEX
3/8"	HNV-38-SAE-F	3/4" -16 ORB	2.62	1.38	.94
1/2"	HNV-12-SAE-F	7/8" -14 ORB	2.91	1.65	1.06
3/4"	HNV-34-SAE-F	1 1/16" -12 ORB	3.54	2.05	1.42
1"	HNV-1-SAE-F	1 5/16" -12 ORB	4.06	2.36	1.61

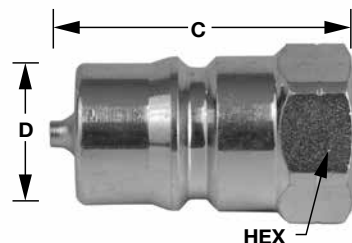
### Dust Protector For Coupler (Red)

BODY SIZE	PART NUMBER	
	RUBBER	
1/8"	TMH-18	
1/4"	TMH-14	
3/8"	TMH-38	
1/2"	TMH-12	
3/4"	TMH-34	
1"	TMH-1	



# HNV Series

## ISO-B 1/8"-1" Sizes



### Plug (NPT)

BODY SIZE	PART NUMBER			THREAD	STEEL DIMENSIONS (IN.)		
	STEEL	BRASS	316 STAINLESS		C	D	HEX
1/8"	HNV-18-M	HNV-18-M-5	N/A	1/8" NPTF	1.18	.43	.55
1/4"	HNV-14-M	HNV-14-M-5	HNV-14-M-3	1/4" NPTF	1.41	.56	.75
3/8"	HNV-38-M	HNV-38-M-5	HNV-38-M-3	3/8" NPTF	1.59	.76	.94
1/2"	HNV-12-M	HNV-12-M-5	HNV-12-M-3	1/2" NPTF	1.81	.92	1.06
3/4"	HNV-34-M	HNV-34-M-5	HNV-34-M-3	3/4" NPTF	2.20	1.26	1.41
1"	HNV-1-M	HNV-1-M-5	HNV-1-M-3	1" NPTF	2.48	1.48	1.61

Note: Contact PCI for brass and stainless dimensions

### Plug (ORB)

BODY SIZE	PART NUMBER		DIMENSIONS (IN.)		
	STEEL	THREAD	C	D	HEX
3/8"	HNV-38-SAE-M	3/4" -16 ORB	1.59	.76	.94
1/2"	HNV-12-SAE-M	7/8" -14 ORB	1.81	.92	1.06
3/4"	HNV-34-SAE-M	1 1/16" -12 ORB	2.20	1.26	1.41
1"	HNV-1-SAE-M	1 5/16" -12 ORB	2.48	1.48	1.61

### Dust Protector For Plug (Red)

BODY SIZE	PART NUMBER	
	RUBBER	
1/8"	TFH-18	
1/4"	TFH-14	
3/8"	TFH-38	
1/2"	TFH-12	
3/4"	TFH-34	
1"	TFH-1	



# ANV Series

## ISO-A Interchange

### Features

- Ball lock
- Manual connect/disconnect
- Poppet valving
- Slim profile
- Zinc plated steel

### Applications

- Construction
- Agricultural
- General industry
- Fluid transfer

### Interchangeability

- ISO 7241-I Series A

### Materials

- Zinc plated steel
- Stainless Steel spring, balls and retaining ring
- Buna-N seals

### Sizes

- 1/4" to 2"

### Temp. Rating

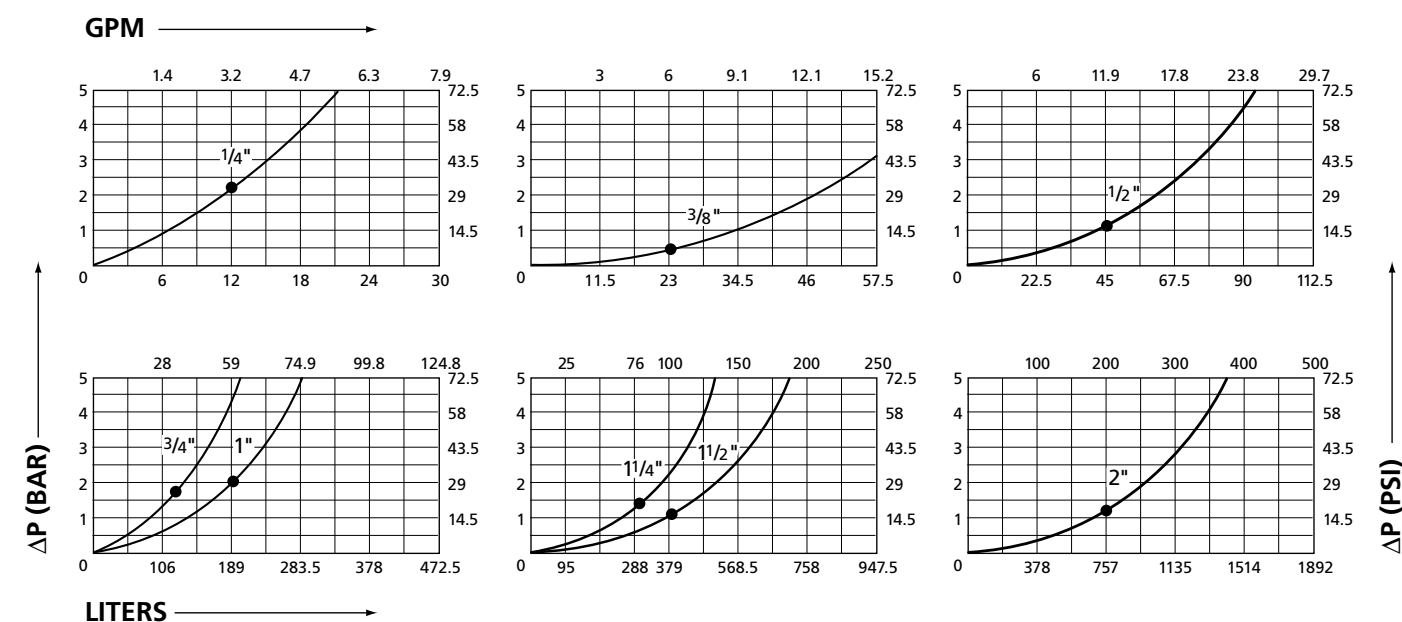
- -4°F to +212°F



### Rated Pressure

SIZE	PSI
1/4"	5000
3/8"	4000
1/2"	4000
3/4"	3000
1"	3000
1 1/4"	3625
1 1/2"	2900
2"	2755

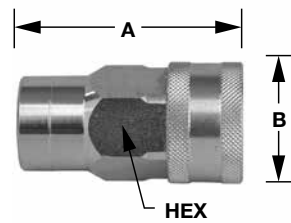
### Performance:



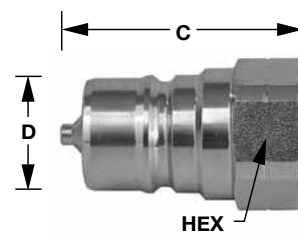


# ANV Series

ISO-A 1/4"-2"



BODY SIZE	PART NUMBER		DIMENSIONS (IN.)		
	STEEL	THREAD SIZE	A	B	HEX
1/4"	ANV-14-F	1/4" NPTF	2.05	1.02	.75
3/8"	ANV-38-F	3/8" NPTF	2.30	1.26	.94
3/8"	ANV-38-SAE-F	9/16"-18 ORB	2.30	1.26	.94
1/2"	NV-12-F	1/2" NPTF	2.50	1.49	1.18
1/2"	NV-12-SAE-F	3/4"-16 ORB	2.50	1.49	1.18
1/2"	NV-12/78-SAE-F	7/8"-14 ORB	2.50	1.49	1.18
3/4"	ANV-34-F	3/4" NPTF	3.29	1.81	1.49
3/4"	ANV-34-SAE-F	11/16"-12 ORB	3.29	1.81	1.49
1"	ANV-1-F	1" NPTF	3.82	2.17	1.81
1"	ANV-1-SAE-F	15/16"-12 ORB	3.82	2.17	1.81
1 1/4"	ANV-114-F	1 1/4" NPTF	4.61	2.76	1.97
1 1/2"	ANV-112-F	1 1/2" NPTF	5.24	3.33	2.36
2"	ANV-2-F	2" NPTF	6.50	3.94	2.95



BODY SIZE	PART NUMBER		DIMENSIONS (IN.)		
	STEEL	THREAD SIZE	C	D	HEX
1/4"	ANV-14-M	1/4" NPTF	1.49	.47	.75
3/8"	ANV-38-M	3/8" NPTF	1.59	.68	.86
3/8"	ANV-38-SAE-M	9/16"-18 ORB	1.59	.68	.84
1/2"	NV-12-M	1/2" NPTF	1.81	.81	1.06
1/2"	2NV-12-SAE-M*	3/4"-16 ORB	1.81	.81	1.06
1/2"	NV-12/78-SAE-M	7/8"-14 ORB	1.92	.81	1.03
3/4"	ANV-34-M	3/4" NPTF	2.20	1.14	1.41
3/4"	ANV-34-SAE-M	11/16"-12 ORB	2.20	1.14	1.43
1"	ANV-1-M	1" NPTF	2.48	1.35	1.61
1"	ANV-1-SAE-M	1 5/16"-12 ORB	2.48	1.35	1.58
1 1/4"	ANV-114-M	1 1/4" NPTF	2.95	1.77	1.97
1 1/2"	ANV-112-M	1 1/2" NPTF	3.29	2.16	2.36
2"	ANV-2-M	2" NPTF	4.13	2.56	2.95

\* Connectable under pressure.

### Dust Protector For Coupler (Red)

SIZE	PART NUMBER
1/4"	TMA-14
3/8"	TMA-38
1/2"	TM-12-R
3/4"	TMA-34
1"	TMA-1
1 1/4"	TMA-114
1 1/2"	TMA-112
2"	TMA-2



### Dust Protector For Plug (Red)

SIZE	PART NUMBER
1/4"	TFA-14
3/8"	TFA-38
1/2"	TF-12-R
3/4"	TFA-34
1"	TFA-1
1 1/4"	TFA-114
1 1/2"	TFA-112
2"	TFA-2



# NS/NV Series

ISO-5675 Agricultural Couplings

### Features

- ISO 5675 interchange
- High concentration of locking balls
- Ball or poppet valving

### Applications

- Construction
- Agricultural
- Forestry
- Oil tools
- Steel mill machinery
- Fluid transfer

### Interchangeability

- Parker • Dixon
- Safeway • DNP
- Faster • Stucchi

### Materials

- Steel

### Sizes - Ball Type

- 1/4" to 3/4"

### Sizes - Poppet Type

- 1/4" to 1"

### Temp. Rating

- -22°F to +230°F



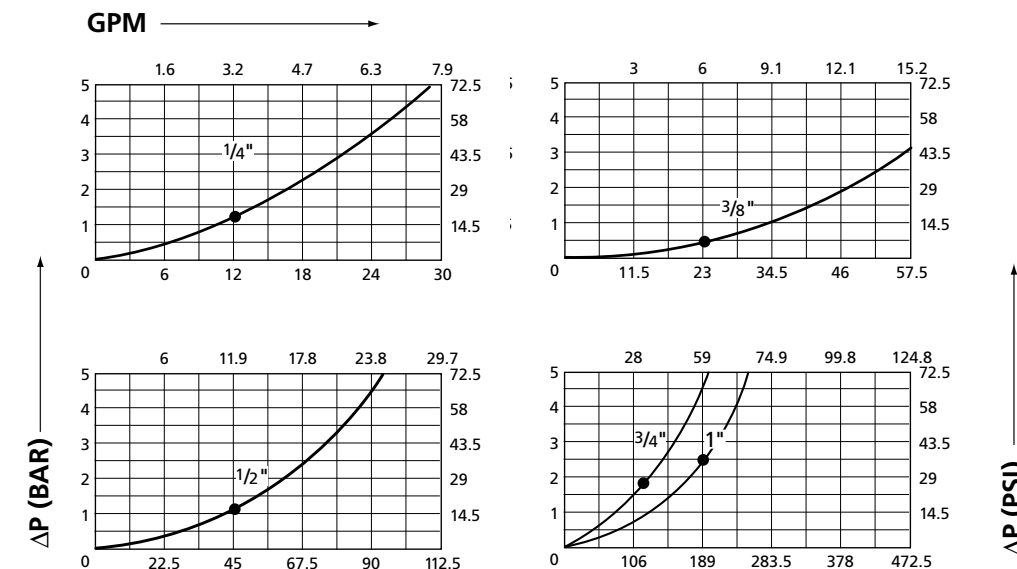
### Rated Pressure (PSI) - Ball Type

SIZE	STEEL
1/4"	5000
3/8"	4350
1/2"	4350
3/4"	3625

### Rated Pressure (PSI) - Poppet Type

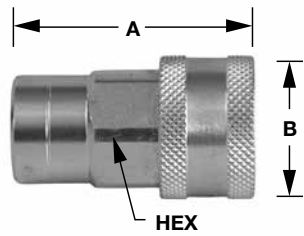
SIZE	STEEL
1/4"	5000
3/8"	4350
1/2"	4350
1"	3200

### Performance:



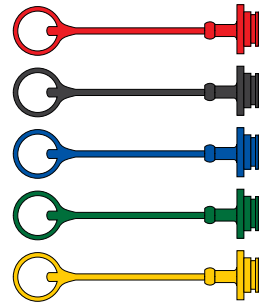
# NS Series

## ISO-5675 Ball Type Couplings

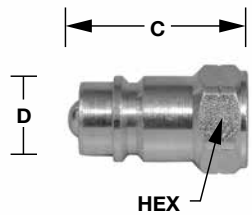


Dust Protector For Coupler

SIZE	PART NUMBER	COLOR
1/4"	TM-14-R	RED
3/8"	TM-38-R	RED
1/2"	TM-12	BLACK
1/2"	TM-12-R	RED
1/2"	TM-12-B	BLUE
1/2"	TM-12-G	GREEN
1/2"	TM-12-Y	YELLOW

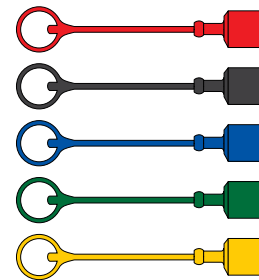


Coupler			DIMENSIONS (IN.)		
BODY SIZE	STEEL	THREAD	A	B	HEX
1/4"	NS-14-F	1/4" NPTF	2.11	1.06	.75
3/8"	NS-38-F	3/8" NPTF	2.40	1.38	.94
1/2"	NS-12-F	1/2" NPTF	2.50	1.50	1.06
3/4"	NSP-34-F	3/4" NPTF	3.34	1.79	1.41



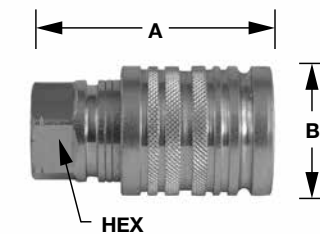
Dust Protector For Plug

SIZE	PART NUMBER	COLOR
1/4"	TF-14-R	RED
3/8"	TF-38-R	RED
1/2"	TF-12	BLACK
1/2"	TF-12-R	RED
1/2"	TF-12-B	BLUE
1/2"	TF-12-G	GREEN
1/2"	TF-12-Y	YELLOW



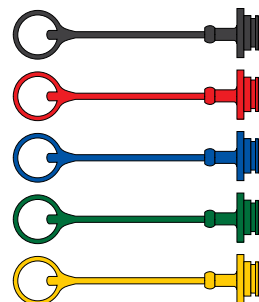
Plug			DIMENSIONS (IN.)		
BODY SIZE	STEEL	THREAD	C	D	HEX
1/4"	NS-14-M	1/4" NPTF	1.42	.55	.75
3/8"	NS-38-M	3/8" NPTF	1.59	.75	.94
1/2"	**2NS-12-M	1/2" NPTF	1.81	.80	1.06
3/4"	NSP-34-M	3/4" NPTF	2.20	1.10	1.41

\*\* Connectable under pressure. (Up to 2750 PSI)



Dust Protector For Coupler

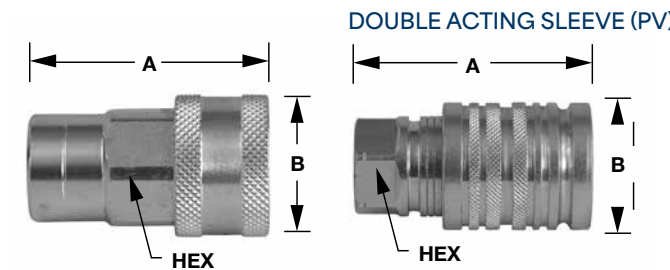
SIZE	PART NUMBER	COLOR
1/2"	TM-12	BLACK
1/2"	TM-12-R	RED
1/2"	TM-12-B	BLUE
1/2"	TM-12-G	GREEN
1/2"	TM-12-Y	YELLOW



Double Acting Sleeve Coupler			DIMENSIONS (IN.)		
BODY SIZE	STEEL	THREAD	A	B	HEX
1/2"	PS-12-F	1/2" NPTF	2.50	1.50	1.06

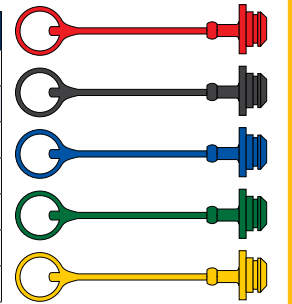
# NV Series

## ISO-5675 Poppet Type Couplings

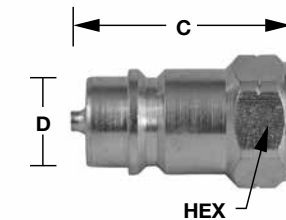


Dust Protector For Coupler

SIZE	PART NUMBER	COLOR
1/4"	TM-14-R	RED
3/8"	TM-38-R	RED
1/2"	TM-12	BLACK
1/2"	TM-12-R	RED
1/2"	TM-12-B	BLUE
1/2"	TM-12-G	GREEN
1/2"	TM-12-Y	YELLOW

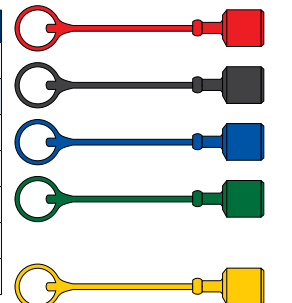


Coupler			DIMENSIONS (IN.)		
BODY SIZE	STEEL	THREAD SIZE	A	B	HEX
1/4"	NV-14-F	1/4" NPTF	2.11	1.06	.75
3/8"	NV-38-F	3/8" NPTF	2.40	1.38	.94
1/2"	NV-12-F	1/2" NPTF	2.50	1.50	1.06
1/2"	NV-12-SAE-F	3/4" -16 ORB	2.76	1.50	1.06
1/2"	NV-12/78-SAE-F	7/8" -14 ORB	2.76	1.50	1.06
1/2"	PV-12-F	1/2" NPTF	2.50	1.50	1.06
1/2"	PV-12-SAE-F	3/4" -16 ORB	2.50	1.50	1.06
1/2"	PV-12/34-F	3/4" NPTF	2.50	1.50	1.06
1"	NV-1-F	1" NPTF	3.86	2.01	1.61



Dust Protector For Plug

SIZE	PART NUMBER	COLOR
1/4"	TF-14-R	RED
3/8"	TF-38-R	RED
1/2"	TF-12	BLACK
1/2"	TF-12-R	RED
1/2"	TF-12-B	BLUE
1/2"	TF-12-G	GREEN
1/2"	TF-12-Y	YELLOW



Plug			DIMENSIONS (IN.)		
BODY SIZE	STEEL	THREAD SIZE	C	D	HEX
1/4"	NV-14-M	1/4" NPTF	1.42	.55	.75
3/8"	NV-38-M	3/8" NPTF	1.59	.75	.94
1/2"	NV-12-M	1/2" NPTF	1.81	.80	1.06
1/2"	*2NV-12-M	1/2" NPTF	1.81	.80	1.06
1/2"	NV-12/34-M	3/4" NPTF	1.81	.80	1.34
1/2"	*2NV-12-SAE-M	3/4" -16 ORB	1.81	1.06	1.06
1/2"	NV-12/78-SAE-M	7/8" -14 ORB	1.81	1.06	1.06
1"	NV-1-M	1" NPTF	2.88	1.23	1.61

\* Connectable under pressure. (Up to 2750 PSI)

# FB Series

## Wing Nut Couplings

### Features

- Connect/disconnect under pressure
- Brass construction
- O-ring connected marker

### Applications

- Wet line hydraulic systems
- Oil field
- Mobile drilling rigs
- Submersible pumps

### Interchangeability

- Parker
- Aeroquip
- Faster
- Dixon
- DNP
- Stucchi

### Materials

- Brass

### Sizes

- 1/2" to 1-1/2"

### Temp. Rating

- -22°F to +230°F

### Rated Pressure

- 1/2" to 1" 3000 PSI
- 1-1/4" to 1-1/2" 2750 PSI



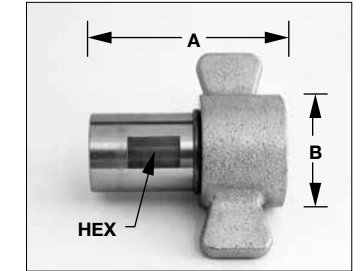
# FB Series

## Wing Nut Couplings

### Coupler

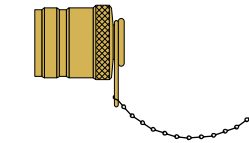
BODY SIZE	PART NUMBER		DIMENSIONS (IN.)		
	STEEL	THREAD SIZE	A	B	HEX
3/4"	FB-08-F	1/2" NPTF	3.09	1.92	1.15
3/4"	FB-12-F	3/4" NPTF	3.09	1.92	1.15
1"	FB-16-F	1" NPTF	3.78	2.25	1.44
1 1/4"	FB-20-F	1 1/4" NPTF	3.97	2.62	1.78
1 1/2"	FB-24-F	1 1/2" NPTF	4.06	2.85	2.00

Wing Style



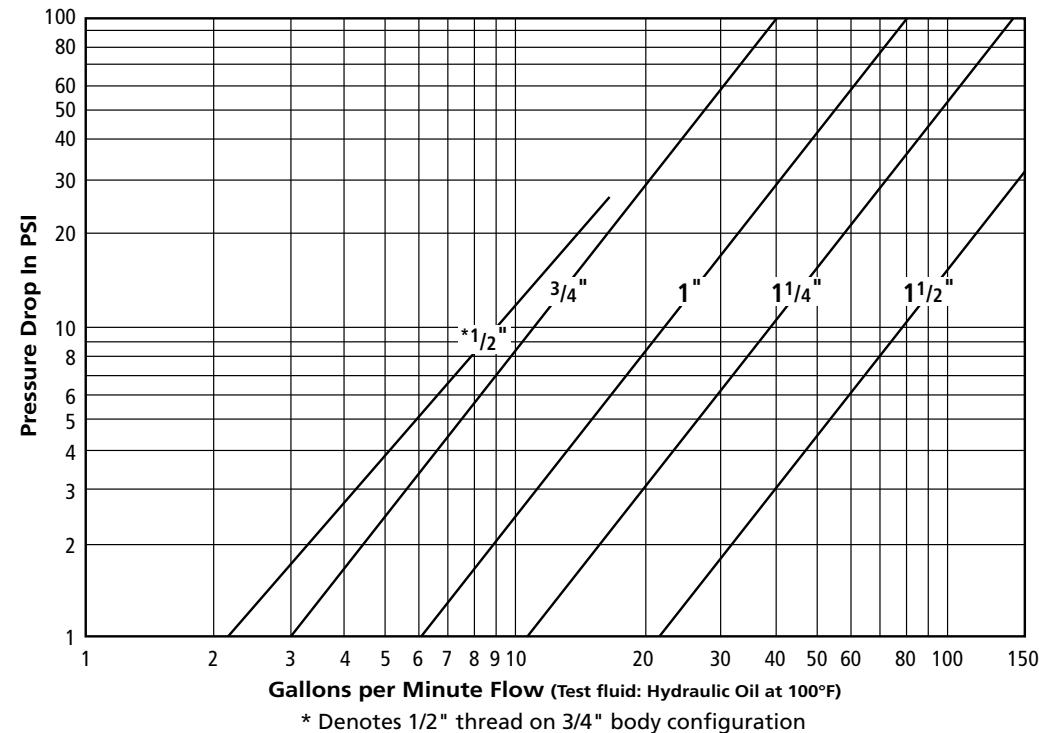
### Dust Protector For Coupler (Brass)

BODY SIZE	PART NUMBER
3/4"	FBM-12
1"	FBM-16
1 1/4"	FBM-20
1 1/2"	FBM-24



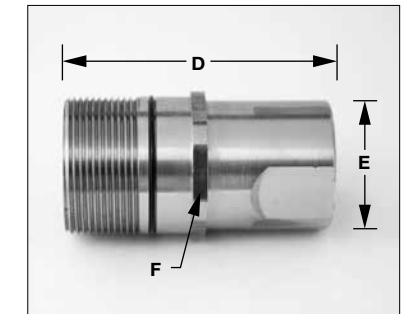
BRASS CAP WITH STAINLESS CHAIN

### Performance:



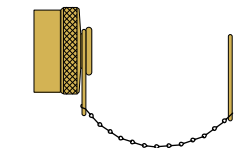
### Plug

BODY SIZE	PART NUMBER		DIMENSIONS (IN.)		
	STEEL	THREAD SIZE	D	E	F
3/4"	FB-08-M	1/2" NPTF	3.10	1.31	1.62
3/4"	FB-12-M	3/4" NPTF	3.10	1.31	1.62
1"	FB-16-M	1" NPTF	3.55	1.56	1.87
1 1/4"	FB-20-M	1 1/4" NPTF	3.71	1.88	2.12
1 1/2"	FB-24-M	1 1/2" NPTF	4.06	2.00	2.51



### Dust Protector For Plug (Brass)

BODY SIZE	PART NUMBER
3/4"	FBF-12
1"	FBF-16
1 1/4"	FBF-20
1 1/2"	FBF-24



BRASS CAP WITH STAINLESS CHAIN



# VVP Series

## Heavy Duty Service Couplings

### Features

- Connect/disconnect under pressure
- Heavy-duty construction
- O-Ring connected marker
- Unique thread profile for smooth operation
- Ideal for systems experiencing pressure spikes

### Applications

- Hydraulic
- Fluid transfer
- Heavy industrial
- Construction
- High impulse

### Interchangeability

- Voswinkel HS
- DNP PVV3
- Dixon CVV

### Materials

- Steel

### Body Sizes

- 3/8" to 1"

### Temp. Rating

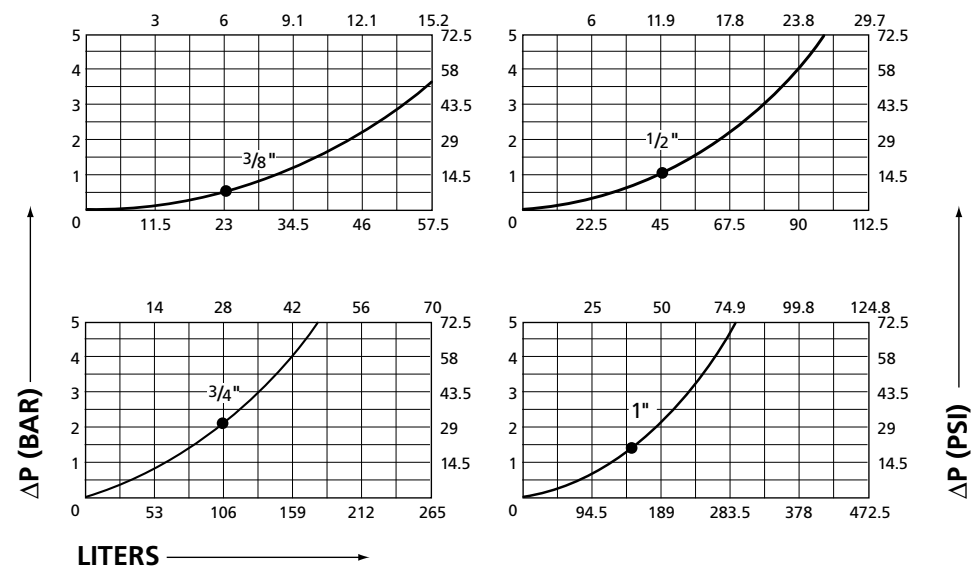
- -40°F to 240°F



### Rated Pressure - PSI

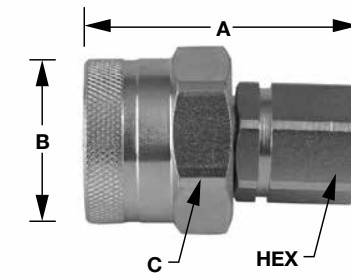
SIZE	STEEL
3/8"	5075
1/2"	4700
3/4"	3675
1"	3675

### Performance:



# VVP Series

## Heavy-Duty Service Couplings



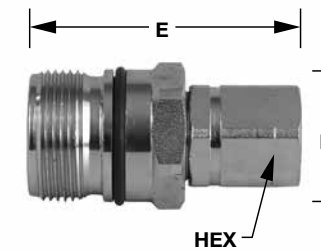
### Dust Protector For Coupler (Red)

SIZE	PART NUMBER
3/8"	VVM-38-R
1/2"	VVM-12-R
3/4"	VVM-34-R
1"	VVM-1-R



### Coupler

BODY SIZE	PART NUMBER		DIMENSIONS (IN.)			
	STEEL	THREAD SIZE	A	B	C	HEX
3/8"	VVP-38-38-F	3/8" NPTF	2.41	1.35	1.18	.86
3/8"	VVP-38-SAE-F	9/16" -18 ORB	2.41	1.35	1.18	.86
1/2"	VVP-12-12-F	1/2" NPTF	2.64	1.66	1.41	1.06
3/4"	VVP-34-34-F	3/4" NPTF	3.14	1.88	1.61	1.42
1"	VVP-1-1-F	1" NPTF	3.45	2.18	1.96	1.61



### Dust Protector For Plug (Red)

SIZE	PART NUMBER
3/8"	VVF-38-R
1/2"	VVF-12-R
3/4"	VVF-34-R
1"	VVF-1-R



### Plug

BODY SIZE	PART NUMBER		DIMENSIONS (IN.)		
	STEEL	THREAD SIZE	E	F	HEX
3/8"	VVP-38-38-M	3/8" NPTF	2.52	1.07	.87
3/8"	VVP-38-SAE-M	9/16" -18 ORB	2.52	1.07	.87
1/2"	VVP-12-12-M	1/2" NPTF	2.76	1.40	1.06
3/4"	VVP-34-34-M	3/4" NPTF	3.39	1.64	1.42
1"	VVP-1-1-M	1" NPTF	3.94	1.90	1.61

# PVEP Series

## Screw Together Couplings

### Features

- Connect/disconnect under pressure up to 4350 PSI
- Improved corrosion resistance
- Two stage valve protects sealing components during pressurized connection and disconnection
- Flush face design avoids fluid loss and air inclusion

### Applications

- Excavators
- Grapples
- Hammers
- Construction Equipment
- Oil Field

### Interchangeability

- Stucchi VEP
- DNP PST4
- Parker FET

### Materials

- Steel with QPQ Plating

### Temp. Rating

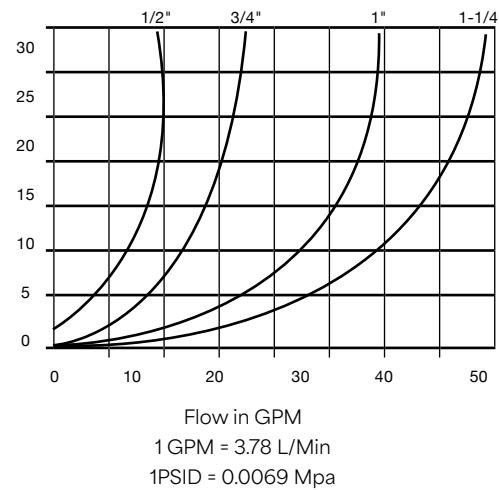
- -22°F to 230°F



### Rated Pressure - PSI

SIZE	PSI
1/2"	5500
3/4"	5000
1"	5000
1 1/4"	5000

### Performance:

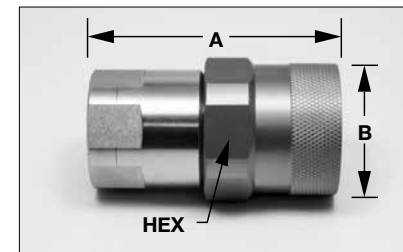


### Correct Procedure To Connect And Disconnect The PVEP Series

1. Clean all mating surfaces thoroughly, then pull socket sleeve forward.
2. Align socket and plug, pushing/turning the socket sleeve towards the plug while engaging the threads. Allow threads to pull socket into the plug.
3. Initial connection should be hand threaded, followed by a wrench.
4. Continue to thread socket sleeve into plug until end of sleeve meets plug body.
5. To disconnect, use a wrench to break sleeve free and keep socket and plug aligned.

# PVEP Series

## Screw Together Couplings

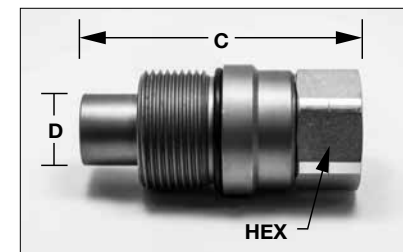


### Coupler

BODY SIZE	PART NUMBER		DIMENSIONS (IN.)		
	STEEL	THREAD SIZE	A	B	HEX
1/2"	PVEP-12F-NPT-1/2"	1/2" NPTF	3.08	1.81	1.42
1/2"	PVEP-12F-SAE-3/4"-16	3/4" -16 ORB	3.08	1.81	1.42
3/4"	PVEP-34F-NPT-3/4"	3/4" NPTF	3.34	1.97	1.61
3/4"	PVEP-34F-SAE-1-1/16"	1 1/16" -12 ORB	3.34	1.97	1.61
1"	PVEP-1F-NPT-1"	1" NPTF	3.93	2.17	1.80
1"	PVEP-1F-SAE-1-5/16"	1 5/16" -12 ORB	3.93	2.17	1.80
1 1/4"	PVEP-114F-NPT-1-1/4"	1 1/4" NPTF	4.40	2.56	2.16
1 1/4"	PVEP-114F-SAE-1-5/8"	1 5/8" -12 ORB	4.40	2.56	2.16

### Dust Cap For Coupler Half

SIZE	PART NUMBER
1/2"	PCV-1/2"-SC
3/4"	PCV-3/4"-SC
1"	PCV-1"-SC
1 1/4"	PCV-1 1/4"-SC



### Plug

BODY SIZE	PART NUMBER		DIMENSIONS (IN.)		
	STEEL	THREAD SIZE	C	D	HEX
1/2"	PVEP-12M-NPT-1/2"	1/2" NPTF	3.75	1.80	1.42
1/2"	PVEP-12M-SAE-3/4"-16	3/4" -16 ORB	3.75	1.80	1.42
3/4"	PVEP-34M-NPT-3/4"	3/4" NPTF	3.90	1.92	1.42
3/4"	PVEP-34M-SAE-1-1/16"	1 1/16" -12 ORB	3.90	1.92	1.42
1"	PVEP-1M-NPT-1"	1" NPTF	4.47	2.12	1.80
1"	PVEP-1M-SAE-1-5/16"	1 5/16" -12 ORB	4.47	2.12	1.80
1 1/4"	PVEP-114M-NPT-1-1/4"	1 1/4" NPTF	4.86	2.52	2.16
1 1/4"	PVEP-114M-SAE-1-5/8"	1 5/8" -12 ORB	4.86	2.52	2.16

### Dust Cap For Plug Half

SIZE	PART NUMBER
1/2"	PCV-1/2"-PC
3/4"	PCV-3/4"-PC
1"	PCV-1"-PC
1 1/4"	PCV-1 1/4"-PC



# PVV Series

## High Pressure Couplings

### Features

- Up to 17,000 PSI working pressure
- Solid bar stock
- Connect/disconnect under pressure
- Polyurethane body seal

### Applications

- Extreme pressure
- Hydraulic jacks
- High pressure test stands

### Interchangeability

- Parker
- Faster
- Safeway
- Enerpac
- Dixon
- DNP
- Stucchi

### Materials

- Steel
- 316 Stainless Steel

### Sizes

- 1/4" - 3/8"

### Temp. Rating

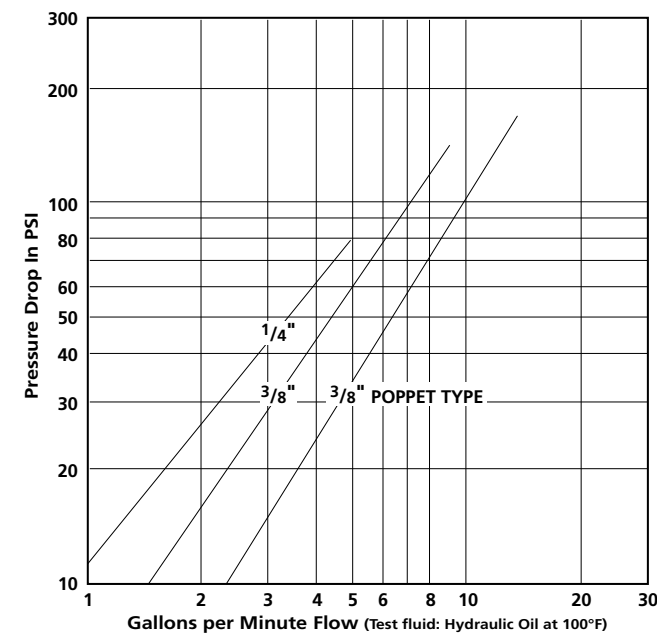
- -22°F to +230°F

### Rated Pressure

- 10,000 PSI - Ball type - steel and 316 stainless steel
- 17,000 PSI - Poppet type - steel



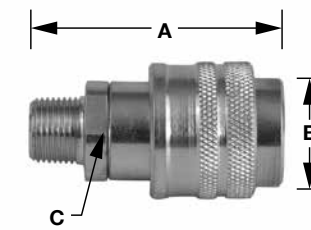
### Performance:



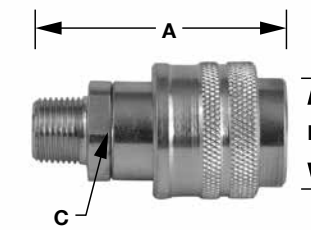
# PVV Series

## High Pressure Couplings

### Ball Type (PVV)



### Poppet Type (PVVP)

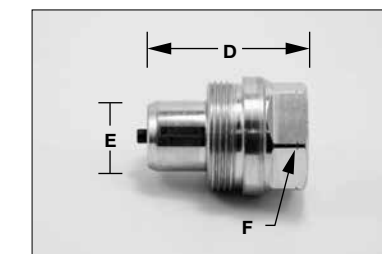
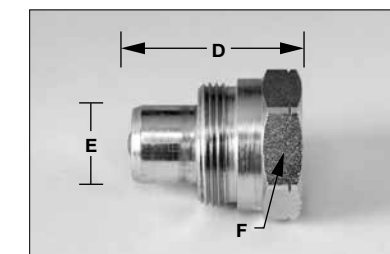
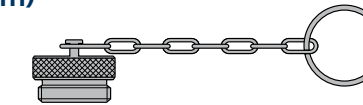


### Coupler

BODY SIZE	PART NUMBER		THREAD	DIMENSIONS (IN.)		
	STEEL	STAINLESS		A	B	C
1/4"	PVV-14-F		1/4" NPTF	2.09	1.18	.87
3/8"	PVV-38-F	PVV-38-F-SS	3/8" NPTF	2.54	1.38	.95
3/8"	PVVP-38-F		3/8" NPTF	2.20	1.38	1.06

### Dust Protector For Coupler (Aluminum)

SIZE	PART NUMBER
1/4"	TMP-14
3/8"	TMP-38

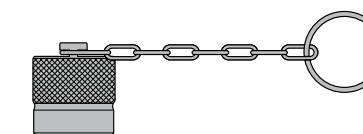


### Plug

BODY SIZE	PART NUMBER		THREAD	DIMENSIONS (IN.)		
	STEEL	STAINLESS		D	E	F
1/4"	PVV-14-M		1/4" NPTF	1.54	.62	.75
3/8"	PVV-38-M	PVV-38-M-SS	3/8" NPTF	1.59	.75	1.26
3/8"	PVVP-38-M		3/8" NPTF	1.67	.75	.87

### Dust Protector For Plug (Aluminum)

SIZE	PART NUMBER
1/4"	TFP-14
3/8"	TFP-38





# PC35 Series

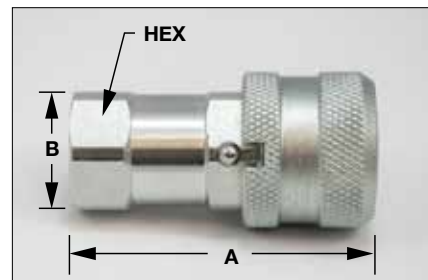
## High Pressure Couplings

### Features

- 10,000 PSI working pressure
- Safety lock standard
- Slim profile
- 6 GPM rated flow
- Direct interchange to Parker TC Series and Eaton FD35 Series

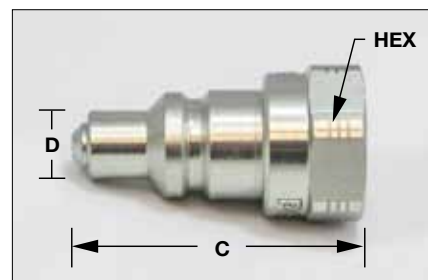
### Temp. Range

- -15°F to +400°F



### Coupler

BODY SIZE	THREAD	PART NUMBER	A	B	HEX
3/8"	3/8" NPT F	PC35-1001-06-06	2.46	1.27	.94



### Plug

BODY SIZE	THREAD	PART NUMBER	C	D	HEX
3/8"	3/8" NPT F	PC35-1002-06-06	1.85	.44	.94

# TNV/TNL Series

## Valved and Non-Valved Couplings

### Features

- High concentration of locking balls
- Heavy knurled sleeve
- Stainless steel spring, balls and retaining ring
- Buna-N O-Rings and Teflon backup rings

### Applications

- General industry
- Construction
- Fluid transfer
- Transportation
- Chemical
- Oil and gas

### Materials

- Steel

### Sizes

- 1/4" - 2"

### Temp. Rating

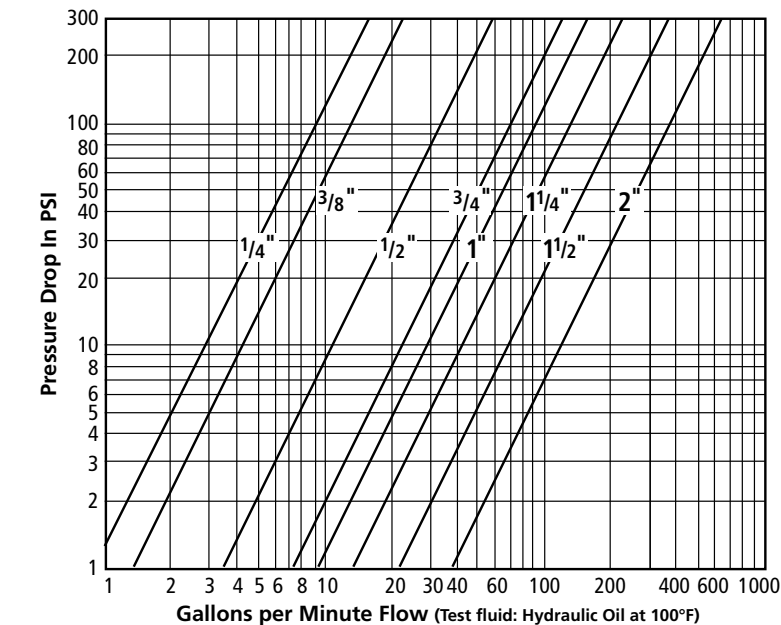
- -20°F to 215°F

### Interchangeability

- Parker/Snap-Tite
- Dixon
- Faster



### Performance:



### Rated Pressure (PSI) Valved

SIZE	STEEL
1/4"	6500
3/8"	4500
1/2"	4000
3/4"	3500
1"	2000
1 1/4"	1750
1 1/2"	1500
2"	1500

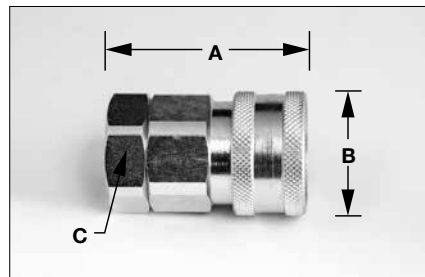
### Rated Pressure (PSI) Non-Valved

SIZE	STEEL
1/4"	11,000
3/8"	11,000
1/2"	11,000
3/4"	9000
1"	6000

# TNV Series

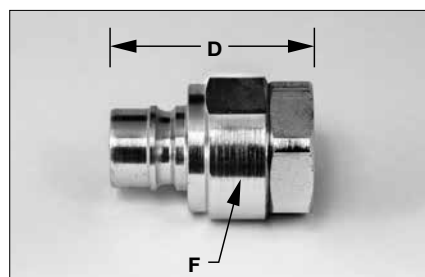
## Valved Couplings

### Coupler - Female Threads



Coupler	PART NUMBER		DIMENSIONS (IN.)			
	BODY SIZE	STEEL	THREAD	A	B	C
	1/4"	TNV-04-F	1/4" NPTF	1.68	.99	.88
	3/8"	TNV-06-F	3/8" NPTF	1.94	1.18	1.00
	1/2"	TNV-08-F	1/2" NPTF	2.13	1.36	1.19
	3/4"	TNV-12-F	3/4" NPTF	2.47	1.67	1.50
	1"	TNV-16-F	1" NPTF	2.70	2.06	1.88
	1 1/4"	TNV-20-F	1 1/4" NPTF	3.54	2.19	2.00
	1 1/2"	TNV-24-F	1 1/2" NPTF	3.27	2.74	2.50
	2"	TNV-32-F	2" NPTF	3.83	3.83	3.50

### Plug - Female Threads

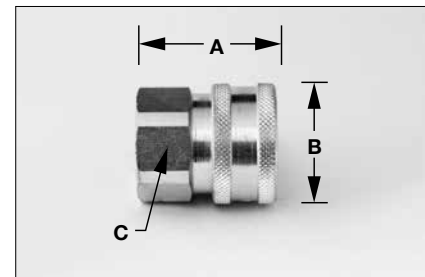


Plug	PART NUMBER		DIMENSIONS (IN.)		
	BODY SIZE	STEEL	THREAD	D	F
	1/4"	TNV-04-M	1/4" NPTF	1.62	.88
	3/8"	TNV-06-M	3/8" NPTF	1.87	1.00
	1/2"	TNV-08-M	1/2" NPTF	1.99	1.19
	3/4"	TNV-12-M	3/4" NPTF	2.31	1.50
	1"	TNV-16-M	1" NPTF	2.60	1.88
	1 1/4"	TNV-20-M	1 1/4" NPTF	3.41	2.00
	1 1/2"	TNV-24-M	1 1/2" NPTF	3.41	2.50
	2"	TNV-32-M	2" NPTF	3.72	3.50

# TNL Series

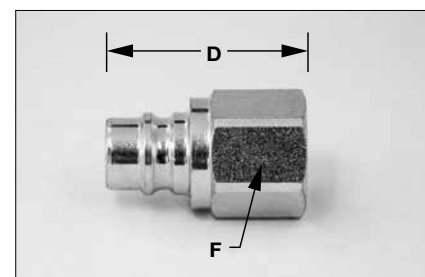
## Non-Valved Couplings

### Coupler - Female Threads



Coupler	PART NUMBER		DIMENSIONS (IN.)			
	BODY SIZE	STEEL	THREAD	A	B	C
	1/4"	TNL-04-F	1/4" NPTF	1.36	.99	.88
	3/8"	TNL-06-F	3/8" NPTF	1.50	1.18	.88
	1/2"	TNL-08-F	1/2" NPTF	1.64	1.37	1.19
	3/4"	TNL-12-F	3/4" NPTF	1.96	1.67	1.50
	1"	TNL-16-F	1" NPTF	2.10	1.99	1.81

### Plug - Female Threads



Plug	PART NUMBER		DIMENSIONS (IN.)		
	BODY SIZE	STEEL	THREAD	D	F
	1/4"	TNL-04-M	1/4" NPTF	1.27	.63
	3/8"	TNL-06-M	3/8" NPTF	1.41	.81
	1/2"	TNL-08-M	1/2" NPTF	1.72	1.00
	3/4"	TNL-12-M	3/4" NPTF	1.86	1.19
	1"	TNL-16-M	1" NPTF	2.08	1.50

# ST Series

## Non-Valved Couplings

### Features

- Ball lock
- Manual operation
- Smooth bore permits free flow of liquid or gas

### Applications

- General industry
- Fluid transfer
- Chemical
- Food and beverage
- Injection molding
- Marine
- Pressure wash

### Interchangeability

- Parker
- Dixon
- Tomco
- Foster

### Materials - Coupler

- Brass
- Stainless Steel

### Materials - Plug

- Brass
- Steel
- Stainless Steel

### Sizes

- 1/8" to 1"

### Temp. Rating

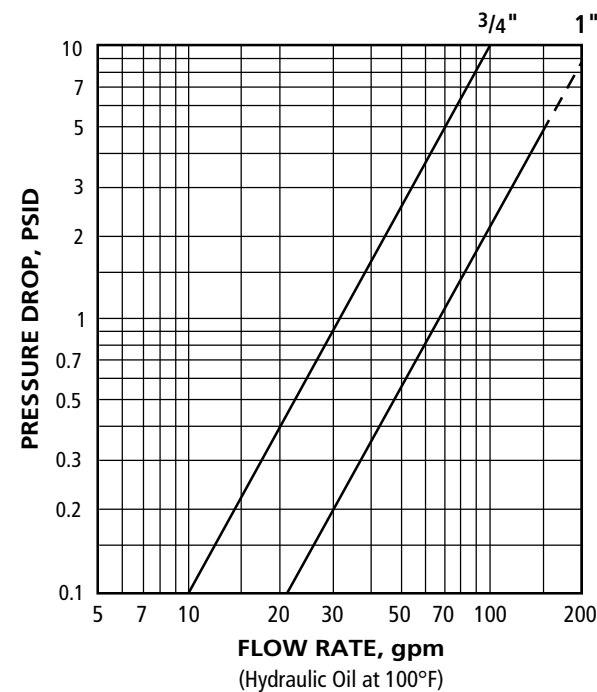
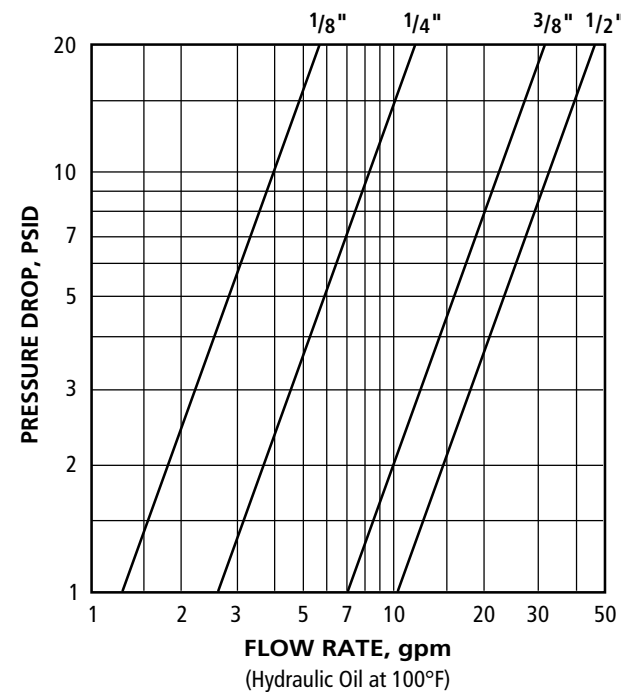
- -40°F to 250°F



### Rated Pressure In PSI

BODY SIZE	BRASS COUPLER BRASS PLUG	STAINLESS COUPLER STAINLESS PLUG	BRASS COUPLER STEEL PLUG
1/8"	2800	4200	3400
1/4"	5200	7500	5500
3/8"	2800	6300	4200
1/2"	2200	3600	3500
3/4"	1700	3000	2100
1"	1300	2000	2000

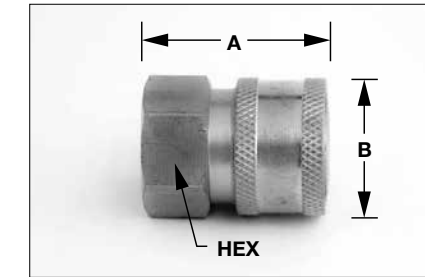
### Performance:



# ST Series

## Non-Valved Couplings

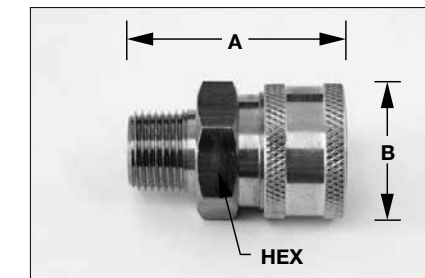
### Female Threads



### Coupler

BODY SIZE	PART NUMBER		THREAD SIZE	DIMENSIONS (IN.)		
	BRASS	STAINLESS STEEL		A	B	HEX
1/8"	B18FC	SS18FC	1/8" NPTF	1.06	.72	.56
1/4"	B14FC	SS14FC	1/4" NPTF	1.50	.97	.81
3/8"	B38FC	SS38FC	3/8" NPTF	1.59	1.16	1.00
1/2"	B12FC	SS12FC	1/2" NPTF	1.91	1.34	1.13
3/4"	B34FC	SS34FC	3/4" NPTF	2.06	1.72	1.44
1"	B1FC	SS1FC	1" NPTF	2.33	2.03	1.75

### Male Threads



### Coupler

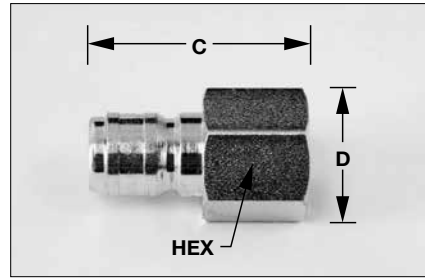
BODY SIZE	PART NUMBER		THREAD SIZE	DIMENSIONS (IN.)		
	BRASS	STAINLESS STEEL		A	B	HEX
1/8"	B18MC	SS18MC	1/8" NPTF	1.06	.72	.56
1/4"	B14MC	SS14MC	1/4" NPTF	1.72	.97	.81
3/8"	B38MC	SS38MC	3/8" NPTF	1.75	1.16	1.00
1/2"	B12MC	SS12MC	1/2" NPTF	2.03	1.34	1.13
3/4"	B34MC	SS34MC	3/4" NPTF	2.22	1.72	1.44
1"	B1MC	SS1MC	1" NPTF	2.53	2.03	1.75



# ST Series

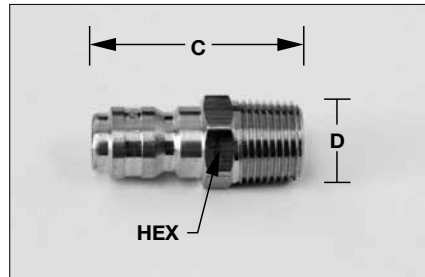
## Non-Valved Couplings

### Female Threads



BODY SIZE	PART NUMBER			THREAD SIZE	DIMENSIONS (IN.)		
	BRASS	STEEL	STAINLESS STEEL		C	D	HEX
1/8"	B18FP	18FP	SS18FP	1/8" NPTF	.97	.58	.50
1/4"	B14FP	14FP	SS14FP	1/4" NPTF	1.45	.79	.69
3/8"	B38FP	38FP	SS38FP	3/8" NPTF	1.63	.94	.81
1/2"	B12FP	12FP	SS12FP	1/2" NPTF	1.92	1.15	1.00
3/4"	B34FP	34FP	SS34FP	3/4" NPTF	2.01	1.37	1.19
1"	B1FP	1FP	SS1FP	1" NPTF	2.21	1.80	1.56

### Male Threads



BODY SIZE	PART NUMBER			THREAD SIZE	DIMENSIONS (IN.)		
	BRASS	STEEL	STAINLESS STEEL		C	D	HEX
1/8"	B18MP	18MP	SS18MP	1/8" NPTF	1.06	.51	.44
1/4"	B14MP	14MP	SS14MP	1/4" NPTF	1.56	.65	.56
3/8"	B38MP	38MP	SS38MP	3/8" NPTF	1.69	.79	.69
1/2"	B12MP	12MP	SS12MP	1/2" NPTF	2.01	1.01	.88
3/4"	B34MP	34MP	SS34MP	3/4" NPTF	2.20	1.23	1.06
1"	B1MP	1MP	SS1MP	1" NPTF	2.49	1.59	1.38

# PPD Series

## Diagnostic Couplings

### Features

- Non-spill design
- Push to connect sleeve
- Compliant with ISO-15171-I

### Applications

- Connect/disconnect pressure gauges to hydraulic systems, eliminating the need for permanent gauges

### Interchangeability

- Parker
- Aeroquip
- Faster
- Dixon

### Materials

- Steel

### Sizes

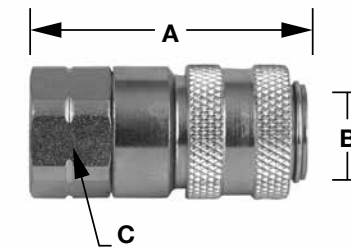
- 1/8" body size

### Temp. Rating

- -22°F to 212°F

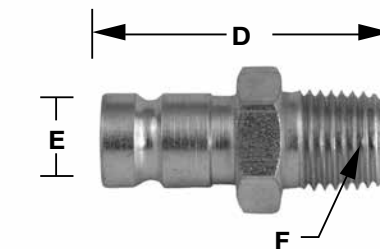
### Rated Pressure

- 6000 PSI



BODY SIZE	PART NUMBER		THREAD SIZE	DIMENSIONS (IN.)		
	BRASS	STEEL		A	B	C
1/8"	PPD02-N18F	18F	1/8" NPTF	2.13	.67	.83
1/8"	PPD02-N14F	14F	1/4" NPTF	2.13	.67	.83
1/8"	PPD02-N14F-02	14F-02	1/4" NPTF	2.28	.67	.83

NOTE: -02 at end of part number denotes male thread.



BODY SIZE	PART NUMBER		THREAD SIZE	DIMENSIONS (IN.)		
	STEEL	BRASS		D	E	F
1/8"	PPD02-N18M	18M	1/8" NPTF	1.88	.49	.67
1/8"	PPD02-N18M-02	18M-02	1/8" NPTF	1.98	.49	.67
1/8"	PPD02-N14M	14M	1/4" NPTF	1.88	.49	.67
1/8"	PPD02-N14M-02	14M-02	1/4" NPTF	1.43	.49	.67
1/8"	PPD02-S716M-02	716M-02	7/16" -20 ORB	1.93	.49	.67
1/8"	PPD02-S916M-02	916M-02	9/16" -18 ORB	1.48	.49	.67

NOTE: -02 at end of part number denotes male thread.

# H900 Series

## Diagnostic Couplings/Micro Hoses

### Features

- Leak-proof connection
- Connect/disconnect under pressure up to 5800 PSI
- Self-locking metal cap
- Able to test systems at working pressure

### Applications

- Monitoring and control of pressure
- Venting
- Fluid sampling
- Remote testing

### Interchangeability

- Stauff
- Parker

### Materials

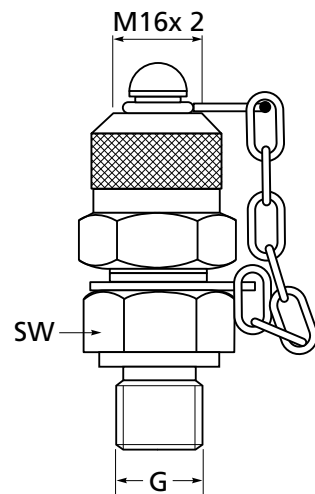
- Steel
- Stainless Steel

### Temp. Rating

- -22°F to 212°F

### Rated Pressure

- 9000 PSI

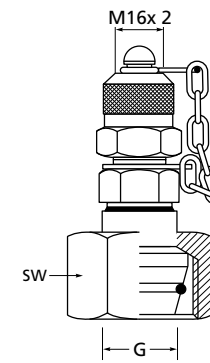


### Test Connectors

PART NUMBER	THREAD (G)	HEX (SW)	MATERIAL
H900-01	M8 x 1	.67	STEEL
H900-10	5/16" -24 ORB	.67	STEEL
H900-11	7/16" -20 ORB	.67	STEEL
H900-11-SS	7/16" -20 ORB	.67	STAINLESS
H900-12	9/16" -18 ORB	.75	STEEL
H900-12-SS	9/16" -18 ORB	.75	STAINLESS
H900-20	1/8" NPT-Male	.67	STEEL
H900-21	1/4" NPT-Male	.75	STEEL
H900-21-SS	1/4" NPT-Male	.75	STAINLESS
H900-22	3/8" NPT-Male	.75	STEEL
H900-23	1/2" NPT-Male	.95	STEEL
H900-24	1/4" NPT-Male	.95	STEEL
H900-25	M10 x 1	.75	STEEL
H900-26	M12 x 1.5	.75	STEEL
H900-27	M14 x 1.5	.95	STEEL
H900-28	M16 x 1.5	.87	STEEL
H900-30	1/8" BSP-Male	.67	STEEL
H900-31	1/4" BSP-Male	.75	STEEL
H900-31-SS	1/4" BSP-Male	.75	STAINLESS
H900-32	3/8" BSP-Male	.87	STEEL
H900-33	1/2" BSP-Male	1.07	STEEL
H900-45	7/16" -20 ORB-Male	.75	STEEL
H900-49	7/16" -20 ORBF	.75	STEEL
H900-89	M16 x 2 Hose Union	.67	STEEL

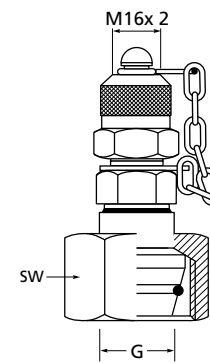
# H900 Series

## Diagnostic Couplings



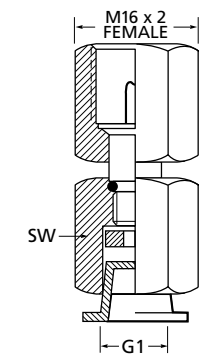
### Test Connectors For Compression Ring Fittings Low Pressure Series - Steel - 4560 PSI

PART NUMBER	CONNECTION (G)	TUBE SIZE	HEX (SW)
H900-50	M12 x 1.5	8	.66
H900-51	M14 x 1.5	10	.74
H900-52	M16 x 1.5	10	.74
H900-53	M18 x 1.5	12	.87
H900-54	M22 x 1.5	15	1.06
H900-55	M26 x 1.5	18	1.26
H900-57	M36 x 2	28	1.61
H900-59	M52 x 2	42	2.36



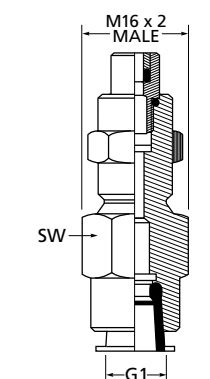
### Test Connectors For Compression Ring Fittings High Pressure Series - Steel - 9135 PSI

PART NUMBER	CONNECTION (G)	TUBE SIZE	HEX (SW)
H900-60	M14 x 1.5	6	.66
H900-61	M16 x 1.5	8	.74
H900-62	M18 x 1.5	10	.87
H900-63	M20 x 1.5	12	.94
H900-65	M24 x 1.5	16	1.18



### Gauge Adapter M16 X 2 Female

PART NUMBER	THREAD (G1)	HEX (SW)
H900-84	1/4" BSPP	.74
H900-85	1/2" BSPP	1.06
H900-86	1/4" NPTF	.74
H900-87	1/2" NPTF	1.06
H900-91	7/16" -20 ORB	.87

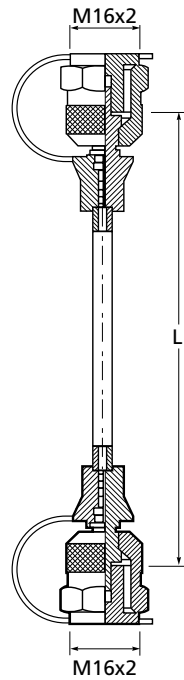


### Gauge Adapter M16 X 2 Male

PART NUMBER	THREAD (G1)	HEX (SW)
H900-80	1/4" BSPP	.74
H900-81	1/2" BSPP	1.06
H900-82	1/4" NPTF	.74
H900-83	1/2" NPTF	1.06

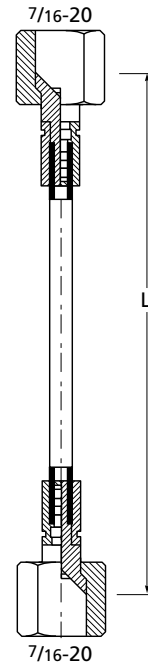
# Two-Way High Pressure Ball Valves

## Diagnostic Micro Hoses



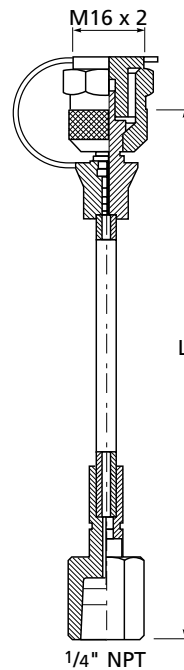
**Micro Hose M16 X 2  
Female X M16 X 2 Female**

PART NUMBER	LENGTH (IN)
H900-92-08	8
H900-92-12	12
H900-92-16	16
H900-92-24	24
H900-92-30	30
H900-92-32	32
H900-92-40	40
H900-92-60	60
H900-92-78	78
H900-92-98	98
H900-92-130	130
H900-92-158	158
H900-92-197	197
H900-92-236	236



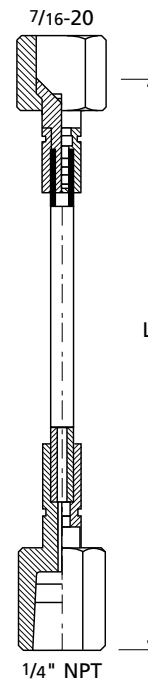
**Micro Hose 7/16-20  
Female X 7/16-20 Female**

PART NUMBER	LENGTH (IN)
H900-994-08	8
H900-994-10	10
H900-994-12	12
H900-994-16	16
H900-994-20	20
H900-994-24	24
H900-994-30	30
H900-994-32	32
H900-994-40	40
H900-994-60	60
H900-994-72	72
H900-994-78	78
H900-994-98	98
H900-994-125	125
H900-994-157	157



**Micro Hose M16 X 2  
Female X 1/4 Npt Female**

PART NUMBER	LENGTH (IN)
H900-993-08	8
H900-993-10	10
H900-993-12	12
H900-993-16	16
H900-993-20	20
H900-993-24	24
H900-993-30	30
H900-993-32	32
H900-993-40	40
H900-993-60	60
H900-993-78	78
H900-993-98	98
H900-993-130	130
H900-993-157	157



**Micro Hose 7/16-20  
Female X 1/4 Npt Female**

PART NUMBER	LENGTH (IN)
H900-995-12	12
H900-995-18	18
H900-995-20	20
H900-995-24	24
H900-995-30	30
H900-995-40	40
H900-995-60	60
H900-995-78	78
H900-995-98	98
H900-995-125	125
H900-995-157	157

NOTE: Custom hose lengths available. Contact PCI.

# HSP-1720 Series

## Test Couplings

### HSP-1720 Series Hose Couplings

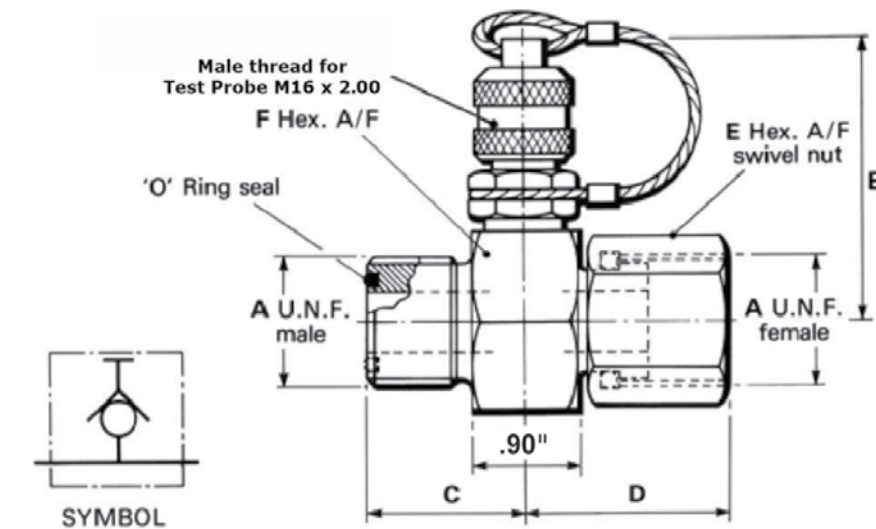
The HSP-1720 Series Hose Couplings are installed between the female swivelnut of the flexible hose and the fixed male connection. The integrated test point is used to obtain random pressure checks during servicing or fault finding. The test points can be disconnected and connected under full sytem pressure without fluid loss.

### Specifications

- 6000 PSI working pressure, all sizes
- Can be used with direct or remote test probes
- For ORFS hose sizes
- FKM seals standard
- ORFS male x ORFS female



PART NUMBER	THREAD	B	C	D	E	F	WEIGHT (LB)
HSP-1720-4M-V	9/16"-18	2.04	.81	1.22	.81	1.18	.48
HSP-1720-6M-V	11/16"-16	2.04	.87	1.26	.94	1.18	.56
HSP-1720-8M-V	13/16"-16	2.04	.93	1.35	1.13	1.18	.65
HSP-1720-10M-V	1"-14	2.09	1.04	1.49	1.18	1.25	.72
HSP-1720-12M-V	1-3/16"-12	2.20	1.12	1.73	1.37	1.50	.96
HSP-1720-16M-V	1-7/16"-12	2.30	1.12	1.73	1.67	1.67	1.28
HSP-1720-20M-V	1-11/16"-12	2.48	1.12	1.73	1.87	2.05	1.59





# HSP-1040 Series

## Test Couplings

### HSP-1040 Series Hose Couplings

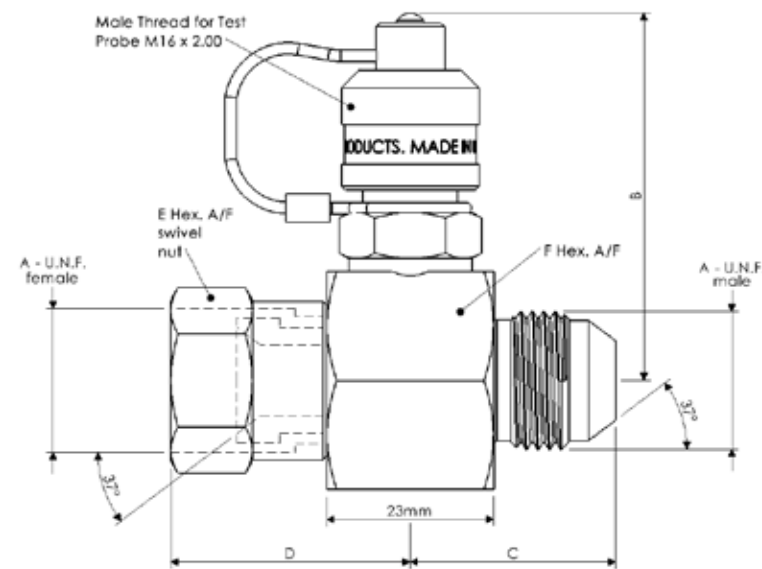
HSP-1040 Series Hose Couplings are installed between the female swivelnut of the flexible hose and the fixed male connection. The integrated test point is used to obtain random pressure checks during servicing or fault finding. The test points can be disconnected and connected under full system pressure without fluid loss.

### Specifications

- 6000 PSI working pressure, all sizes
- Can be used with direct or remote test probes
- For JIC hose sizes 7/16" to 1-7/8"
- FKM seals standard



PART NUMBER	THREAD	B	C	D	E	F	WEIGHT (LB)
HSP-1040-4M-V	7/16"-20	2.01	1.00	1.22	.56	1.13	.28
HSP-1040-5M-V	1/2"-20	2.01	1.00	1.30	.62	1.13	.29
HSP-1040-6M-V	9/16"-18	2.01	1.01	1.34	.68	1.13	.32
HSP-1040-8M-V	3/4"-16	2.01	1.14	1.33	.87	1.13	.33
HSP-1040-10M-V	7/8"-14	2.14	1.23	1.51	1.00	1.37	.55
HSP-1040-12M-V	1 1/16"-12	2.14	1.31	1.63	1.25	1.37	.66
HSP-1040-16M-V	1 5/16"-12	2.30	1.36	1.72	1.50	1.69	.95
HSP-1040-20M-V	1 5/8"-12	2.61	.95	1.77	2.04	2.00	1.72
HSP-1040-24M-V	1 7/8"-12	2.98	1.08	1.89	2.20	2.22	1.98



# PCLG Series

## Liquid Filled 2 1/2" Stainless Case Pressure Gauges

### Construction

- Stainless steel case
- Bronze bourdon tube
- Glycerine filled

### Accuracy

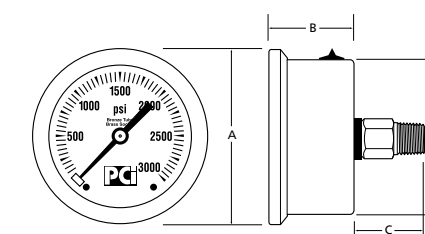
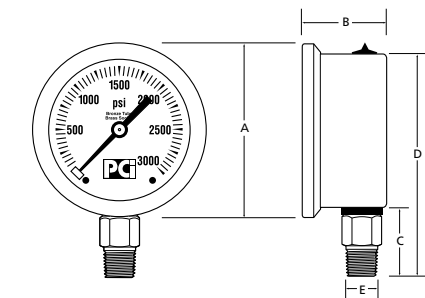
- 1.6% Full scale

### Temperature

- -30°F - 160°F



### PCLG Series



### Bottom Mount

PART NUMBER	PRESSURE RANGE	A	B	C	D
PCLG - 30 - 0V	-30HG - 0 PSI	2.69	1.20	.84	3.30
PCLG - 3030 - C	-30HG - 30 PSI	2.69	1.20	.84	3.30
PCLG - 30P	0 - 30 PSI	2.69	1.20	.84	3.30
PCLG - 60P	0 - 60 PSI	2.69	1.20	.84	3.30
PCLG - 100P	0 - 100 PSI	2.69	1.20	.84	3.30
PCLG - 160P	0 - 160 PSI	2.69	1.20	.84	3.30
PCLG - 200P	0 - 200 PSI	2.69	1.20	.84	3.30
PCLG - 300P	0 - 300 PSI	2.69	1.20	.84	3.30
PCLG - 600P	0 - 600 PSI	2.69	1.20	.84	3.30
PCLG - 1000P	0 - 1000 PSI	2.69	1.20	.84	3.30
PCLG - 2000P	0 - 2000 PSI	2.69	1.20	.84	3.30
PCLG - 3000P	0 - 3000 PSI	2.69	1.20	.84	3.30
PCLG - 5000P	0 - 5000 PSI	2.69	1.20	.84	3.30
PCLG - 6000P	0 - 6000 PSI	2.69	1.20	.84	3.30
PCLG - 10,000P	0 - 10,000 PSI	2.69	1.20	.84	3.30
PCLG - 15,000P	0 - 15,000 PSI	2.69	1.20	.84	3.30

### Back Mount

PART NUMBER	PRESSURE RANGE	A	B	C	D
PCLG - 30 - 0V - B	-30HG - 0 PSI	2.68	1.18	1.14	2.44
PCLG - 3030 - C - B	-30HG - 30 PSI	2.68	1.18	1.14	2.44
PCLG - 30P - B	0 - 30 PSI	2.68	1.18	1.14	2.44
PCLG - 60P - B	0 - 60 PSI	2.68	1.18	1.14	2.44
PCLG - 100P - B	0 - 100 PSI	2.68	1.18	1.14	2.44
PCLG - 160P - B	0 - 160 PSI	2.68	1.18	1.14	2.44
PCLG - 200P - B	0 - 200 PSI	2.68	1.18	1.14	2.44
PCLG - 300P - B	0 - 300 PSI	2.68	1.18	1.14	2.44
PCLG - 600P - B	0 - 600 PSI	2.68	1.18	1.14	2.44
PCLG - 1000P - B	0 - 1000 PSI	2.68	1.18	1.14	2.44
PCLG - 2000P - B	0 - 2000 PSI	2.68	1.18	1.14	2.44
PCLG - 3000P - B	0 - 3000 PSI	2.68	1.18	1.14	2.44
PCLG - 5000P - B	0 - 5000 PSI	2.68	1.18	1.14	2.44
PCLG - 6000P - B	0 - 6000 PSI	2.68	1.18	1.14	2.44
PCLG - 10,000P - B	0 - 10,000 PSI	2.68	1.18	1.14	2.44

NOTE: Center back gauges include the panel clamp.

### Accessories

PART NUMBER	DESCRIPTION
PC - 02	PANEL FLANGE

# PCDG Series

## Digital Pressure Gauges

### PCDG Series

- 2 1/2" digital gauge
- LCD display
- 1/4" NPT bottom mount
- 0.25% accuracy full scale
- Temp rating 0°F to 130°F
- Polycarbonate body
- Battery powered (2 AAA)
- Auto shut off feature
- 2,000 hour battery life
- Bar, PSI, MPa, KgF/CM2
- Backlit and zero clearing
- 150% overload capacity



PART NUMBER	PRESSURE RANGE	WEIGHT	A	B	C
PCDG-1000P	0-1000 PSI	.4 LBS	3.98	2.59	1/4" NPT
PCDG-2000P	0-2000 PSI	.4 LBS	3.98	2.59	1/4" NPT
PCDG-3000P	0-3000 PSI	.4 LBS	3.98	2.59	1/4" NPT
PCDG-3500P	0-3500 PSI	.4 LBS	4.65	2.59	1/4" NPT
PCDG-5000P	0-5000 PSI	.4 LBS	4.65	2.59	1/4" NPT
PCDG-10,000P	0-10,000 PSI	.4 LBS	4.65	2.59	1/4" NPT

Please see gauge kits available on page 40.  
 Black rubber gauge protectors are available for all digital gauges.  
 Contact PCI for details and pricing.

# H900 Series Test Kits

### Standard Gauge Kit Part Number HPTK-1



### Kit Includes

- 2 pcs 40" microhose with M16x2 female by 1/4" NPTF ends
- 1 pc 0-1000 PSI pressure gauge 2 1/2" bottom mount
- 1 pc 0-3000 PSI pressure gauge 2 1/2" bottom mount
- 1 pc 0-5000 PSI pressure gauge 2 1/2" bottom mount
- 1 pc M16x2 x 7/16"-20 ORB test point
- 1 pc M16x2 x 9/16"-18 ORB test point
- 1 pc M16x2 x 1/8" NPT test point
- 1 pc M16x2 x 1/4" NPT test point
- 1 pc M16x2 female x 1/4" NPT female gauge connector
- 1 pc M16x2 x 1/4" BSP test point

### Case Dimensions

11 1/2" x 7 1/2" x 3"  
 WEIGHT: 3.95 LBS

### Digital Gauge Kit Part Number HPTK-2



### Kit Includes

- 2 pcs 40" microhose with M16x2 female by 1/4" NPTF ends
- 1 pc 0-1000 PSI digital gauge 2 1/2" bottom mount
- 1 pc 0-2000 PSI digital gauge 2 1/2" bottom mount
- 1 pc 0-3500 PSI digital gauge 2 1/2" bottom mount
- 1 pc M16x2 x 7/16"-20 ORB test point
- 1 pc M16x2 x 9/16"-20 ORB test point
- 1 pc M16x2 x 1/8" NPT test point
- 1 pc M16x2 x 1/4" NPT test point
- 1 pc M16x2 female x 1/4" NPT female gauge connector
- 1 pc M16x2 x 1/4" BSP test point

### Case Dimensions

11 1/2" x 7 1/2" x 3"  
 WEIGHT: 4.05 LBS

### Digital Gauge Kit Part Number HPTK-3



### Kit Includes

- 2 pcs 40" microhose with M16x2 female by 1/4" NPTF ends
- 1 pc 0-3000 PSI digital gauge 2 1/2" bottom mount
- 1 pc 0-5000 PSI digital gauge 2 1/2" bottom mount
- 1 pc 0-10,000 PSI digital gauge 2 1/2" bottom mount
- 1 pc M16x2 x 7/16"-20 ORB test point
- 1 pc M16x2 x 9/16"-20 ORB test point
- 1 pc M16x2 x 1/8" NPT test point
- 1 pc M16x2 x 1/4" NPT test point
- 1 pc M16x2 female x 1/4" NPT female gauge connector
- 1 pc M16x2 x 1/4" BSP test point

### Case Dimensions

11 1/2" x 7 1/2" x 3"  
 WEIGHT: 4.05 LBS

# Two-Way High Pressure Ball Valves

## NBKH Series

### Specifications

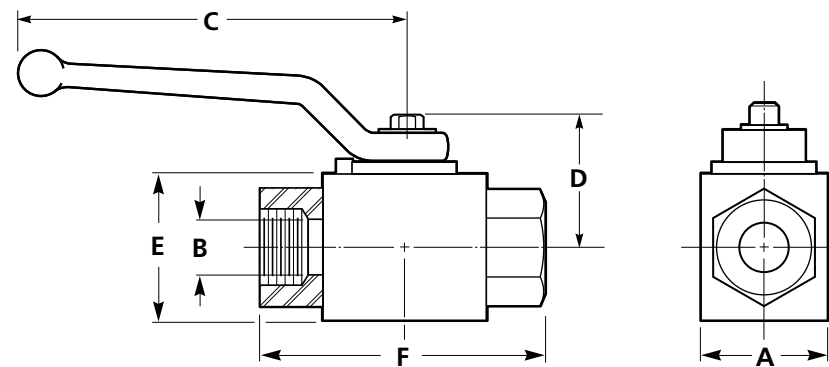
- Block body
- Full port, sizes 1/4 - 1"
- Reduced port, sizes 1 1/4 - 1 1/2"
- NPT - ORB - BSP connections
- POM (Polyacetal) ball seats
- FKM/FPM O-Rings
- Black oxide coating
- Temp range -20°F to 215°F
- Nickel plated ball

### Options

- Lock kits
- Actuator packages
- Straight handles
- Red aluminum handles
- Special ball seats and seals for higher temperature and aggressive applications
- Mounting holes



NBKH Series			WORKING PRESSURE		DIMENSIONS (IN.)					
SIZE	THREAD SIZE	PART NUMBER	PSI	BAR	A	B	C	D	E	F
1/4"	1/4" NPTF	NBKH-14-NPT-1125	7350	500	1.02	.24	4.21	1.20	1.26	2.72
1/4"	1/4" BSPP	NBKH-14-BSP-1125	7350	500	1.02	.24	4.21	1.20	1.26	2.72
1/4"	7/16" -20 ORB	NBKH-14-SAE-1125	7350	500	1.02	.24	4.21	1.20	1.26	2.72
3/8"	3/8" NPTF	NBKH-38-NPT-1125	7350	500	1.26	.39	4.21	1.29	1.50	2.87
3/8"	3/8" BSPP	NBKH-38-BSP-1125	7350	500	1.26	.39	4.21	1.29	1.50	2.87
3/8"	9/16" -18 ORB	NBKH-38-SAE-1125	7350	500	1.26	.39	4.21	1.29	1.50	2.87
1/2"	1/2" NPTF	NBKH-12-NPT-1125	7350	500	1.38	.51	4.21	1.31	1.57	3.62
1/2"	1/2" BSPP	NBKH-12-BSP-1125	7350	500	1.38	.51	4.21	1.31	1.57	3.62
1/2"	3/4" -16 ORB	NBKH-12-SAE-1125	7350	500	1.38	.51	4.21	1.31	1.57	3.62
3/4"	3/4" NPTF	NBKH-34-NPT-1125	6000	415	1.93	.79	6.50	1.91	2.24	3.82
3/4"	3/4" BSPP	NBKH-34-BSP-1125	6000	415	1.93	.79	6.50	1.91	2.24	3.82
3/4"	1 1/16" -12 ORB	NBKH-34-SAE-1125	6000	415	1.93	.79	6.50	1.91	2.24	3.82
1"	1" NPTF	NBKH-1-NPT-1125	6000	415	2.36	.94	6.50	1.95	2.36	4.45
1"	1" BSPP	NBKH-1-BSP-1125	6000	415	2.36	.94	6.50	1.95	2.36	4.45
1"	1 5/16" -12 ORB	NBKH-1-SAE-1125	6000	415	2.36	.94	6.50	1.95	2.36	4.45
1x1 1/4"	1 1/4" NPTF	NBKH-114-NPT-1125	6000	415	2.36	.94	6.50	1.95	2.36	5.16
1x1 1/4"	1 1/4" BSPP	NBKH-114-BSP-1125	6000	415	2.36	.94	6.50	1.95	2.36	5.16
1x1 1/4"	1 5/8" -12 ORB	NBKH-114-SAE-1125	6000	415	2.36	.94	6.50	1.95	2.36	5.16
1x1 1/2"	1 1/2" NPTF	NBKH-112-NPT-1125	6000	415	2.36	.94	6.50	1.95	2.36	5.47
1x1 1/2"	1 1/2" BSPP	NBKH-112-BSP-1125	6000	415	2.36	.94	6.50	1.95	2.36	5.47
1x1 1/2"	1 7/8" -12 ORB	NBKH-112-SAE-1125	6000	415	2.36	.94	6.50	1.95	2.36	5.47



See page 60 for full safety information.

# Two-Way High Pressure Ball Valves

## BKH Series

### Specifications

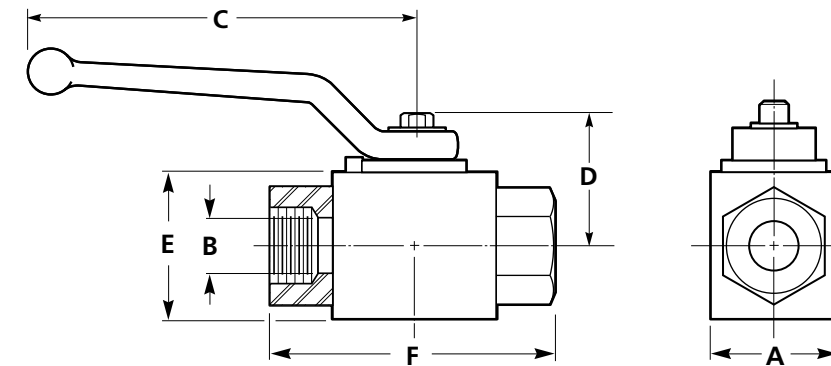
- Block body
- Full port, sizes 1/4 - 1"
- Reduced port, sizes 1 1/4 - 1 1/2"
- NPT - ORB connections
- POM (Polyacetal) ball seats
- Buna-N O-Rings
- Zinc clear coating (RoHs compliant)
- Temp range -20°F to 215°F
- Nickel plated ball

### Options

- Lock kits
- Actuator packages
- Straight handles
- Red aluminum handles
- Special ball seats and seals for higher temperature and aggressive applications
- Mounting holes



BKH Series			WORKING PRESSURE		DIMENSIONS (IN.)					
SIZE	THREAD SIZE	PART NUMBER	PSI	BAR	A	B	C	D	E	F
1/4"	1/4" NPTF	BKH-14-NPT-1123-2	7350	500	1.02	.24	4.21	1.20	1.26	2.72
1/4"	7/16" -20 ORB	BKH-14-SAE-1123-2	7350	500	1.02	.24	4.21	1.20	1.26	2.72
3/8"	3/8" NPTF	BKH-38-NPT-1123-2	7350	500	1.26	.39	4.21	1.29	1.50	2.87
3/8"	9/16" -18 ORB	BKH-38-SAE-1123-2	7350	500	1.26	.39	4.21	1.29	1.50	2.87
1/2"	1/2" NPTF	BKH-12-NPT-1123-2	7350	500	1.38	.51	4.21	1.31	1.57	3.62
1/2"	3/4" -16 ORB	BKH-12-SAE-1123-2	7350	500	1.38	.51	4.21	1.31	1.57	3.62
3/4"	3/4" NPTF	BKH-34-NPT-1123-2	6000	415	1.93	.78	6.50	1.91	2.24	3.82
3/4"	1 1/16" -12 ORB	BKH-34-SAE-1123-2	6000	415	1.93	.78	6.50	1.91	2.24	3.82
1"	1" NPTF	BKH-1-NPT-1123-2	6000	415	2.36	.94	6.50	1.95	2.36	4.45
1"	1 5/16" -12 ORB	BKH-1-SAE-1123-2	6000	415	2.36	.94	6.50	1.95	2.36	4.45
1x1 1/4"	1 1/4" NPTF	BKH-114-NPT-1123-2	6000	415	2.36	.94	6.50	1.95	2.36	5.16
1x1 1/4"	1 5/8" -12 ORB	BKH-114-SAE-1123-2	6000	415	2.36	.94	6.50	1.95	2.36	5.16
1x1 1/2"	1 1/2" NPTF	BKH-112-NPT-1123-2	6000	415	2.36	.94	6.50	1.95	2.36	5.47
1x1 1/2"	1 7/8" -12 ORB	BKH-112-SAE-1123-2	6000	415	2.36	.94	6.50	1.95	2.36	5.47



See page 60 for full safety information.

# Two-Way High Pressure Ball Valves

## SKH Series

### Specifications

- Forged body
- Full port
- NPT - ORB - BSP connections
- POM (Polyacetal) ball seats
- FKM/FPM O-Rings\*
- Black oxide coating
- Temp range -20°F to 215°F
- Nickel plated ball

### Options

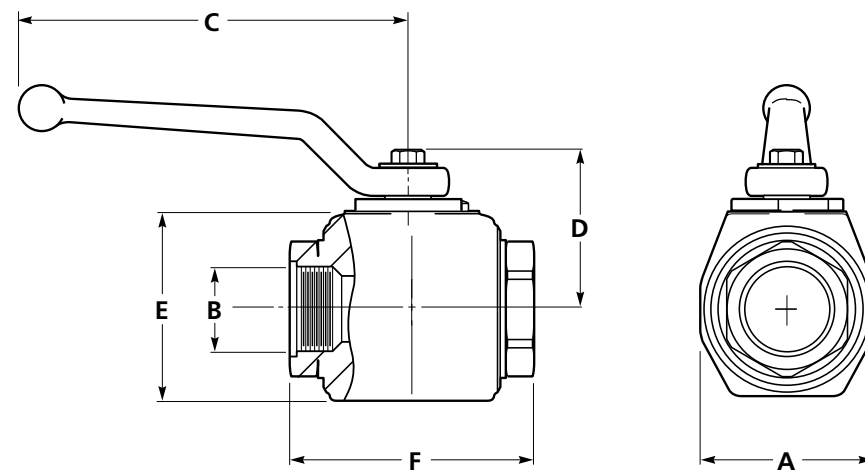
- Lock kits
- Actuator packages
- Straight handles
- Red aluminum handles
- Special ball seats and seals for higher temperature and aggressive applications



### SKH Series

SIZE	THREAD SIZE	PART NUMBER	WORKING PRESSURE		DIMENSIONS (IN.)					
			PSI	BAR	A	B	C	D	E	F
1 1/4"	1 1/4" NPTF	SKH-114-NPT-3125	6000	415	2.99	1.26	8.30	2.10	3.30	4.50
1 1/4"	1 1/4" BSPP	SKH-114-BSP-3123	6000	415	2.99	1.26	8.30	2.10	3.30	4.50
1 1/4"	1 5/8" -12 ORB	SKH-114-SAE-3125	6000	415	2.99	1.26	8.30	2.10	3.30	4.50
1 1/2"	1 1/2" NPTF	SKH-112-NPT-3125	6000	415	3.27	1.50	8.30	2.73	3.62	5.30
1 1/2"	1 1/2" BSPP	SKH-112-BSP-3123	6000	415	3.27	1.50	8.30	2.73	3.62	5.30
1 1/2"	1 7/8" -12 ORB	SKH-112-SAE-3125	6000	415	3.27	1.50	8.30	2.73	3.62	5.30
2"	2" NPTF	SKH-2-NPT-3125	6000	415	3.94	1.89	8.50	3.15	4.37	5.50
2"	2" BSPP	SKH-2-BSP-3123	6000	415	3.94	1.89	8.50	3.15	4.37	5.50
2"	2 1/2" -12 ORB	SKH-2-SAE-3125	6000	415	3.94	1.89	8.50	3.15	4.37	5.50

\*BSP threaded ball valves have Buna-N O-rings standard.



See page 60 for full safety information.

# Two-Way High Pressure Ball Valves

## SKH Series

### Specifications

- Forged body
- Full port
- NPT - ORB connections
- POM (Polyacetal) ball seats
- Buna-N O-Rings
- Zinc clear coating (RoHs compliant)
- Temp range -20°F to 215°F
- Nickel plated ball

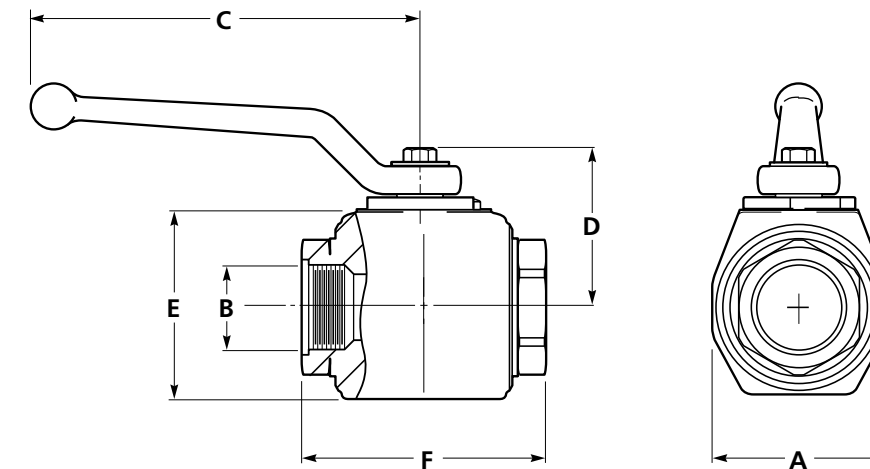
### Options

- Lock kits
- Actuator packages
- Straight handles
- Red aluminum handles
- Special ball seats and seals for higher temperature and aggressive applications



### SKH Series

SIZE	THREAD SIZE	PART NUMBER	WORKING PRESSURE		DIMENSIONS (IN.)					
			PSI	BAR	A	B	C	D	E	F
1 1/4"	1 1/4" NPTF	SKH-114-NPT-3123-2	6000	415	2.99	1.26	8.30	2.60	3.30	4.50
1 1/4"	1 5/8" -12 ORB	SKH-114-SAE-3123-2	6000	415	2.99	1.26	8.30	2.60	3.30	4.50
1 1/2"	1 1/2" NPTF	SKH-112-NPT-3123-2	6000	415	3.27	1.50	8.30	2.73	3.62	5.30
1 1/2"	1 7/8" -12 ORB	SKH-112-SAE-3123-2	6000	415	3.27	1.50	8.30	2.73	3.62	5.30
2"	2" NPTF	SKH-2-NPT-3123-2	6000	415	3.94	1.89	8.50	3.15	4.37	5.50
2"	2 1/2" -12 ORB	SKH-2-SAE-3123-2	6000	415	3.94	1.89	8.50	3.15	4.37	5.50



See page 60 for full safety information.



# HRKH Series

## Ultra High-Pressure Ball Valves

### Specifications

- Carbon steel
- NPT threads
- POM (Polyacetal) ball seats
- Buna-N O-Rings
- Temp range -20°F to 215°F
- Nickel plated ball

### Options

- Actuator packages
- Straight handles
- Red aluminum handles
- Special ball seats and seals for higher temperature and aggressive applications



### HRKH Series Steel

SIZE	THREAD SIZE	PART NUMBER	WORKING PRESSURE		DIMENSIONS (IN.)					
			PSI	BAR	A	B	C	D	E	F
1/4"	1/4" NPTF	HRKH-14-NPT-3923	11,760	800	2.33	.24	4.21	1.61	2.33	3.86
3/8"	3/8" NPTF	HRKH-38-NPT-3923	11,760	800	2.33	.35	4.21	1.61	2.33	3.86
1/2"	1/2" NPTF	HRKH-12-NPT-3923	11,760	800	2.33	.35	4.21	1.61	2.33	3.86
3/4"	3/4" NPTF	HRKH-34-NPT-3923	11,760	800	3.11	.51	6.49	2.20	3.11	4.49
1"	1" NPTF	HRKH-1-NPT-3923	11,760	800	3.11	.67	6.49	2.50	3.70	4.73

### Specifications

- 316 Stainless steel
- NPT threads
- POM (Polyacetal) ball seats
- FKM/FPM O-Rings
- Temp range -20°F to 215°F
- Stainless ball

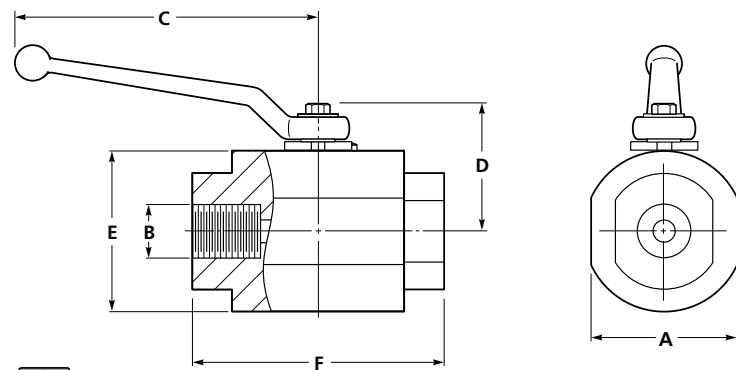
### Options

- Actuator packages
- Stainless handles
- Red aluminum handles
- Special ball seats and seals for higher temperature and aggressive applications



### Stainless Steel

SIZE	THREAD SIZE	PART NUMBER	WORKING PRESSURE		DIMENSIONS (IN.)					
			PSI	BAR	A	B	C	D	E	F
1/4"	1/4" NPTF	HRKH-14-NPT-4425	10,150	700	2.33	.24	4.21	1.61	2.33	3.86
3/8"	3/8" NPTF	HRKH-38-NPT-4425	10,150	700	2.33	.35	4.21	1.61	2.33	3.86
1/2"	1/2" NPTF	HRKH-12-NPT-4425	10,150	700	2.33	.35	4.21	1.61	2.33	3.86
3/4"	3/4" NPTF	HRKH-34-NPT-4425	10,150	700	3.11	.51	6.49	2.20	3.11	4.49
1"	1" NPTF	HRKH-1-NPT-4425	10,150	700	3.11	.67	6.49	2.50	3.70	4.73



See page 60 for full safety information.

# RKH Series

## 316 Stainless Steel Ball Valves

### Specifications

- All 316 Stainless steel body, stem & ball
- Full port
- NPT - ORB connections
- POM (Polyacetal) ball seats
- FKM/FPM O-Rings
- Temp range -20°F to 215°F

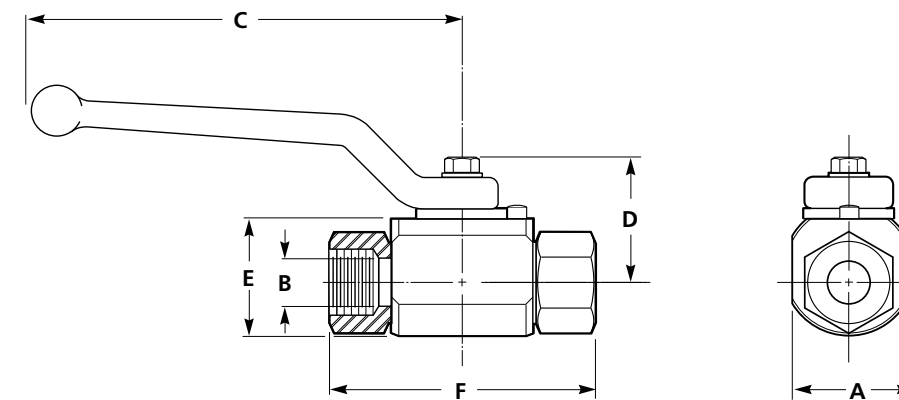
### Options

- Lock kits
- Stainless handles
- Red aluminum handles
- Special ball seats and seals for higher temperature and aggressive applications



### RKH Series

SIZE	THREAD SIZE	PART NUMBER	WORKING PRESSURE		DIMENSIONS (IN.)					
			PSI	BAR	A	B	C	D	E	F
1/4"	1/4" NPTF	RKH-14-NPT-4425	6000	415	1.49	.24	4.21	1.20	1.38	2.95
1/4"	7/16" -20 ORB	RKH-14-SAE-4425	6000	415	1.49	.24	4.21	1.20	1.38	2.95
3/8"	3/8" NPTF	RKH-38-NPT-4425	6000	415	1.77	.39	4.21	1.29	1.57	2.95
3/8"	9/16" -18 ORB	RKH-38-SAE-4425	6000	415	1.77	.39	4.21	1.29	1.57	2.95
1/2"	1/2" NPTF	RKH-12-NPT-4425	6000	415	1.89	.51	4.21	1.31	1.77	3.35
1/2"	3/4" -16 ORB	RKH-12-SAE-4425	6000	415	1.89	.51	4.21	1.31	1.77	3.35
3/4"	3/4" NPTF	RKH-34-NPT-4425	6000	415	2.56	.79	6.50	1.91	2.36	3.66
3/4"	1 1/16" -12 ORB	RKH-34-SAE-4425	6000	415	2.56	.79	6.50	1.91	2.36	3.66
1"	1" NPTF	RKH-1-NPT-4425	6000	415	2.76	.94	6.50	1.95	2.56	4.53
1"	1 5/16" -12 ORB	RKH-1-SAE-4425	6000	415	2.76	.94	6.50	1.95	2.56	4.53
1 1/4"	1 1/4" NPTF	RKH-114-NPT-4425	5880	400	3.54	1.25	8.30	2.59	3.30	6.54
1 1/4"	1 5/8" -12 ORB	RKH-114-SAE-4425	5880	400	3.54	1.25	8.30	2.59	3.30	6.54
1 1/2"	1 1/2" NPTF	RKH-112-NPT-4425	5880	400	3.26	1.49	8.30	2.73	3.62	7.14
1 1/2"	1 7/8" -12 ORB	RKH-112-SAE-4425	5880	400	3.26	1.49	8.30	2.73	3.62	7.14
2"	2" NPTF	RKH-2-NPT-4425	5880	400	3.94	1.89	8.50	3.15	4.37	9.30
2"	2 1/2" -12 ORB	RKH-2-SAE-4425	5880	400	3.94	1.89	8.50	3.15	4.37	9.30



See page 60 for full safety information.

# Stecko and Super Stecko

## Mining Ball Valves

### Specifications

- Full port
- POM (Polyacetal) ball seats
- Buna-N O-Rings
- Temp range -20°F to 215°F
- Nickel plated ball

### Application

- Long wall coal mining



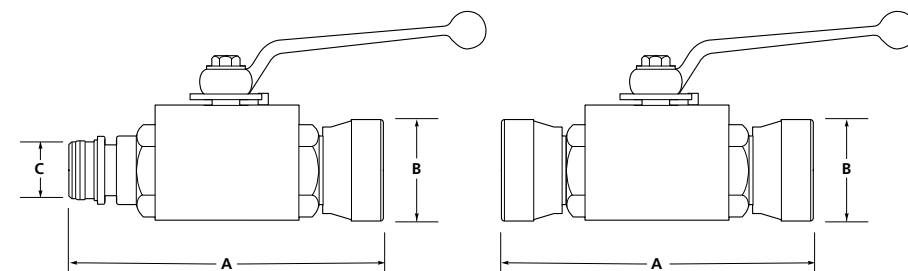
### BBKH Series

#### Regular STECKO

SIZE	CONNECTION	PART NUMBER	WORKING PRESSURE		DIMENSIONS (IN.)		
			PSI	BAR	A	B	C
3/8"	M x F	BBKH-10-1123-1-FM	7350	500	4.45	1.18	.79
3/8"	F x F	BBKH-10-1123-1-FF	7350	500	4.45	1.18	
1/2"	M x F	BBKH-13-1123-1-FM	7350	500	4.65	1.26	.94
1/2"	F x F	BBKH-13-1123-1-FF	7350	500	4.65	1.26	
3/4"	M x F	BBKH-20-1123-1-FM	5880	400	5.43	1.57	1.14
3/4"	F x F	BBKH-20-1123-1-FF	5880	400	5.43	1.57	
1"	M x F	BBKH-25-1123-1-FM	5145	350	5.94	2.17	1.54
1"	F x F	BBKH-25-1123-1-FF	5145	350	5.94	2.17	
1 1/4"	M x F	BSKH-32-3123-1-FM	5145	350	6.50	2.36	1.81
1 1/4"	F x F	BSKH-32-3123-1-FF	5145	350	6.54	2.36	
1 1/2"	M x F	BSKH-40-3123-1-FM	5145	350	8.54	2.76	2.20
1 1/2"	F x F	BSKH-40-3123-1-FF	5145	350	8.78	2.76	
2"	M x F	BSKH-50-3123-1-FM	5145	350	8.58	2.15	2.52
2"	F x F	BSKH-50-3123-1-FF	5145	350	9.37	3.15	

### Super STECKO

SIZE	CONNECTION	PART NUMBER	WORKING PRESSURE		DIMENSIONS (IN.)		
			PSI	BAR	A	B	C
1 1/4"	M x F	BSKH-32-3123-1-FM-SS	5145	350	8.04	2.76	1.81
1 1/4"	F x F	BSKH-32-3123-1-FF-SS	5145	350	8.04	2.76	
1 1/2"	M x F	BSKH-40-3123-1-FM-SS	5145	350	8.98	3.25	2.15
1 1/2"	F x F	BSKH-40-3123-1-FF-SS	5145	350	8.67	3.25	
2"	M x F	BSKH-50-3123-1-FM-SS	5145	350	10.18	3.74	2.50
2"	F x F	BSKH-50-3123-1-FF-SS	5145	350	10.24	3.74	



See page 60 for full safety information.

# Three-Way BK3 Series

## Diverter Valves

### Specifications

- Block body
- Full port
- NPT - ORB connections
- POM (Polyacetal) ball seats
- Black oxide coating
- FKM/FPM O-Rings
- Temp range -20°F to 215°F
- Nickel plated ball

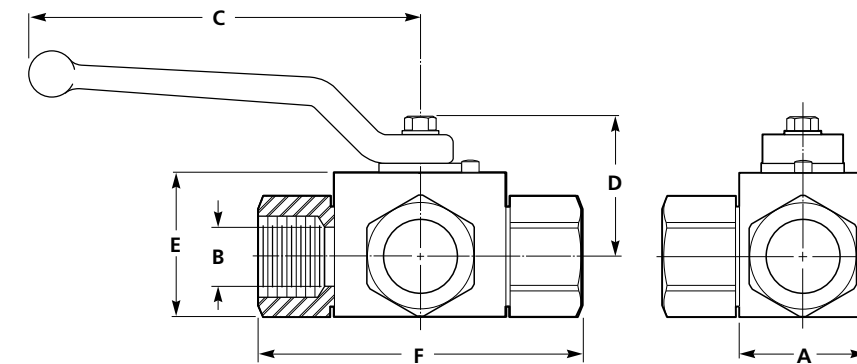
### Options

- Lock kits
- Actuator packages
- Straight handles
- Red aluminum handles
- Special ball seats and seals for higher temperature and aggressive applications
- Stainless steel

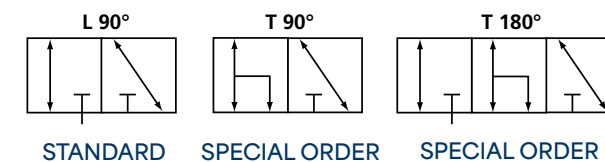


### BK3 Series

SIZE	THREAD SIZE	PART NUMBER	WORKING PRESSURE		DIMENSIONS (IN.)					
			PSI	BAR	A	B	C	D	E	F
1/4"	1/4" NPTF	BK3-14-NPT-1125-L	5880	400	1.02	.24	4.21	1.20	1.26	2.72
1/4"	7/16" -20 ORB	BK3-14-SAE-1125-L	5880	400	1.02	.24	4.21	1.20	1.26	2.72
3/8"	3/8" NPTF	BK3-38-NPT-1125-L	5880	400	1.26	.39	4.21	1.29	1.50	2.87
3/8"	9/16" -18 ORB	BK3-38-SAE-1125-L	5880	400	1.26	.39	4.21	1.29	1.50	2.87
1/2"	1/2" NPTF	BK3-12-NPT-1125-L	5145	350	1.38	.51	4.21	1.31	1.57	3.62
1/2"	3/4" -16 ORB	BK3-12-SAE-1125-L	5145	350	1.38	.51	4.21	1.31	1.57	3.62
3/4"	3/4" NPTF	BK3-34-NPT-1125-L	5145	350	1.93	.79	6.50	1.91	2.24	3.82
3/4"	1 1/16" -12 ORB	BK3-34-SAE-1125-L	5145	350	1.93	.79	6.50	1.91	2.24	3.82
1"	1" NPTF	BK3-1-NPT-1125-L	5145	350	2.36	.94	6.50	1.95	2.36	4.45
1"	1 5/16" -12 ORB	BK3-1-SAE-1125-L	5145	350	2.36	.94	6.50	1.95	2.36	4.45



NOTE: The sealing function of the BK3/SK3 standard valves is only given when the pressure standing on the closed port is less than or equal to the inlet pressure of the open port.



See page 60 for full safety information.

# Three-Way BK3 Series

## Diverter Valves

### Specifications

- Block body
- Full port
- NPT - ORB connections
- POM (Polyacetal) ball seats
- Buna O-Rings
- Zinc clear coating (ROHS compliant)
- Temp range -20°F to 215°F
- Nickel plated ball

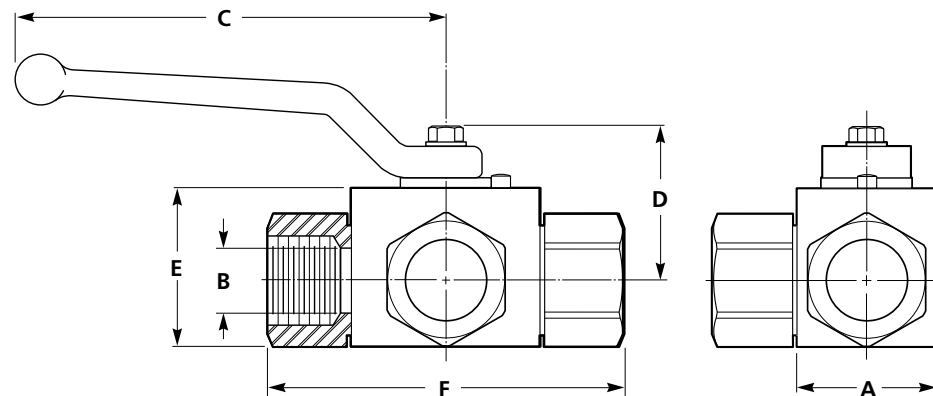
### Options

- Lock kits
- Actuator packages
- Straight handles
- Red aluminum handles
- Special ball seats and seals for higher temperature and aggressive applications
- Mounting holes
- Stainless steel

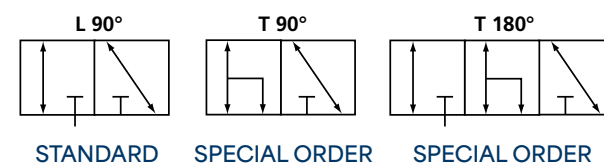


### BK3 Series

SIZE	THREAD SIZE	PART NUMBER	WORKING PRESSURE		DIMENSIONS (IN.)					
			PSI	BAR	A	B	C	D	E	F
1/4"	1/4" NPTF	BK3-14-NPT-1123-2-L	5880	400	1.02	.24	4.21	1.20	1.26	2.72
1/4"	7/16" -20 ORB	BK3-14-SAE-1123-2-L	5880	400	1.02	.24	4.21	1.20	1.26	2.72
3/8"	3/8" NPTF	BK3-38-NPT-1123-2-L	5880	400	1.26	.39	4.21	1.29	1.50	2.87
3/8"	9/16" -18 ORB	BK3-38-SAE-1123-2-L	5880	400	1.26	.39	4.21	1.29	1.50	2.87
1/2"	1/2" NPTF	BK3-12-NPT-1123-2-L	5145	350	1.38	.51	4.21	1.31	1.57	3.62
1/2"	3/4" -16 ORB	BK3-12-SAE-1123-2-L	5145	350	1.38	.51	4.21	1.31	1.57	3.62
3/4"	3/4" NPTF	BK3-34-NPT-1123-2-L	5145	350	1.93	.79	6.50	1.91	2.24	3.82
3/4"	1 1/16" -12 ORB	BK3-34-SAE-1123-2-L	5145	350	1.93	.79	6.50	1.91	2.24	3.82
1"	1" NPTF	BK3-1-NPT-1123-2-L	5145	350	2.36	.94	6.50	1.95	2.36	4.45
1"	1 5/16" -12 ORB	BK3-1-SAE-1123-2-L	5145	350	2.36	.94	6.50	1.95	2.36	4.45



NOTE: The sealing function of the BK3/SK3 standard valves is only given when the pressure standing on the closed port is less than or equal to the inlet pressure of the open port.



See page 60 for full safety information.

# Three-Way SK3 Series

## Diverter Valves

### Specifications

- Forged body
- Full port
- NPT - ORB connections
- POM (Polyacetal) ball seats
- Black oxide coating
- FKM/FPM O-Rings
- Temp range -20°F to 215°F
- Nickel plated ball

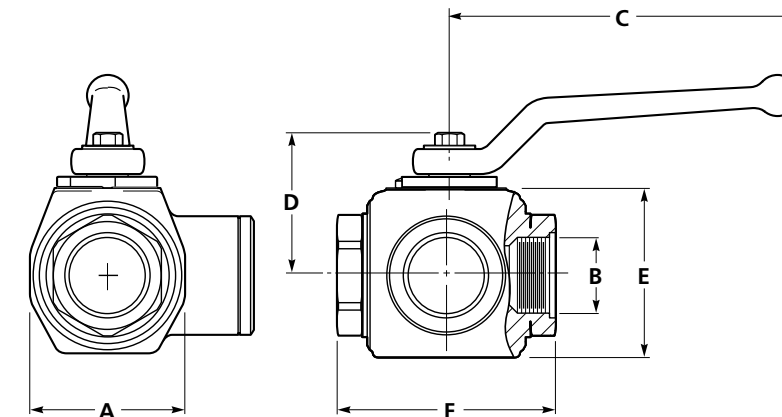
### Options

- Lock kits
- Actuator packages
- Red aluminum handles
- Special ball seats and seals for higher temperature and aggressive applications
- Stainless steel

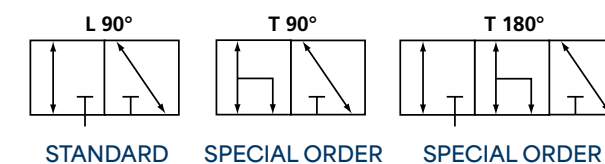


### SK3 Series

SIZE	THREAD SIZE	PART NUMBER	WORKING PRESSURE		DIMENSIONS (IN.)					
			PSI	BAR	A	B	C	D	E	F
1 1/4"	1 1/4" NPTF	SK3-114-NPT-3125-L	5145	350	2.99	1.18	8.50	2.60	3.30	4.53
1 1/4"	1 5/8" -12 ORB	SK3-114-SAE-3125-L	5145	350	2.99	1.18	8.50	2.60	3.30	4.53
1 1/2"	1 1/2" NPTF	SK3-112-NPT-3125-L	5145	350	3.27	1.37	8.30	2.73	3.62	4.81
1 1/2"	1 7/8" -12 ORB	SK3-112-SAE-3125-L	5145	350	3.27	1.37	8.30	2.73	3.62	4.81
2"	2" NPTF	SK3-2-NPT-3125-L	5145	350	3.94	1.73	8.30	3.15	4.37	5.53
2"	2 1/2" -12 ORB	SK3-2-SAE-3125-L	5145	350	3.94	1.73	8.30	3.15	4.37	5.53



NOTE: The sealing function of the BK3/SK3 standard valves is only given when the pressure standing on the closed port is less than or equal to the inlet pressure of the open port.



See page 60 for full safety information.

# Direct Mount PV2 and PV3 Series

## 2-Way/3-Way Ball Valves

### Specifications

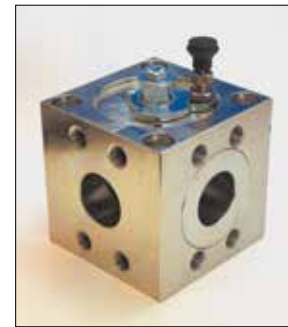
- Block body
- Full port
- Code 62
- Direct mount
- POM (Polyacetal) ball seats
- FKM/FPM O-Rings
- Temp range -20°F to 215°F
- Nickel plated ball

### Options

- Locking device
- Actuator packages
- Red aluminum handles
- Special ball seats and seals for higher temperature and aggressive applications

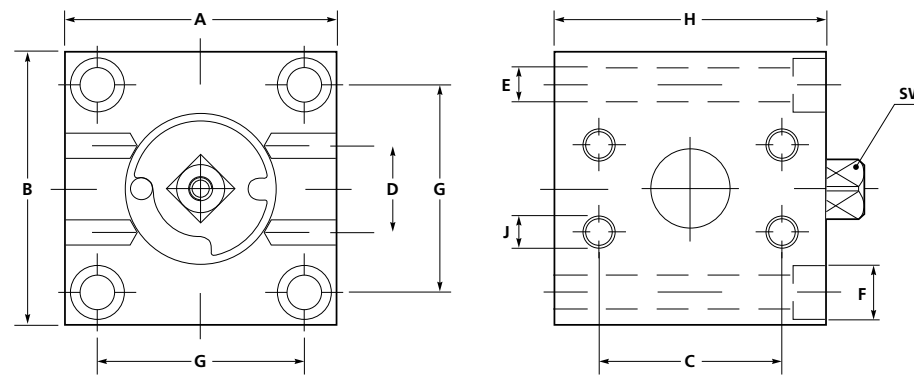


PV2 Series

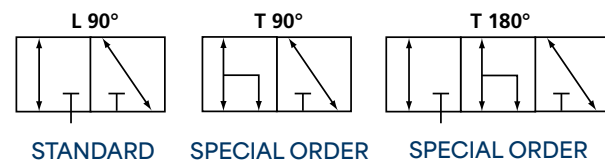


PV3 Series

SIZE	PART NUMBER	WORKING PRESSURE		PORTS	DIMENSIONS (IN.)									
		PSI	BAR		A	B	C	D	E	F	G	H	J	SW
1/2"	PV2-13-SAE-6000-1125	5880	400	2	2.37	2.37	1.60	.72	.36	.59	1.70	2.21	M8	.36
1/2"	PV3-13-SAE-6000-1125	5880	400	3	2.37	2.37	1.60	.72	.36	.59	1.70	2.21	M8	.36
3/4"	PV2-20-SAE-6000-1125	5880	400	2	3.15	3.15	2.00	.94	.44	.71	2.37	2.84	M10	.56
3/4"	PV3-20-SAE-6000-1125	5880	400	3	3.15	3.15	2.00	.94	.44	.71	2.37	2.84	M10	.56
1"	PV2-25-SAE-6000-1125	5880	400	2	3.70	3.70	2.25	1.10	.44	.71	2.76	3.019	M12	.56
1"	PV3-25-SAE-6000-1125	5880	400	3	3.70	3.70	2.25	1.10	.44	.71	2.76	3.19	M12	.56
1 1/4"	PV2-32-SAE-6000-1125	5880	400	2	3.94	3.94	2.63	1.25	.50	.79	3.00	3.94	M14	.67
1 1/4"	PV3-32-SAE-6000-1125	5880	400	3	3.94	3.94	2.63	1.25	.50	.79	3.00	3.94	M14	.67
1 1/2"	PV2-40-SAE-6000-1125	5880	400	2	4.33	4.33	3.13	1.44	.50	.79	3.31	4.41	M16	.67
1 1/2"	PV3-40-SAE-6000-1125	5880	400	3	4.33	4.33	3.13	1.44	.50	.79	3.31	4.41	M16	.67
2"	PV2-50-SAE-6000-1125	5880	400	2	5.12	5.12	3.82	1.75	.50	.79	4.26	5.32	M20	.67
2"	PV3-50-SAE-6000-1125	5880	400	3	5.12	5.12	3.82	1.75	.50	.79	4.26	5.32	M20	.67



NOTE: The sealing function of the BK3/SK3 standard valves is only given when the pressure standing on the closed port is less than or equal to the inlet pressure of the open port.



See page 60 for full safety information.

# Code 61/62

## Split Flange Ball Valves

### Specifications

- Block body
- Full port
- Code 61/62 split flange ends
- POM (Polyacetal) ball seats
- FKM/FPM O-Rings
- Temp range -20°F to 215°F
- Black oxide coating
- Nickel plated ball

### Options

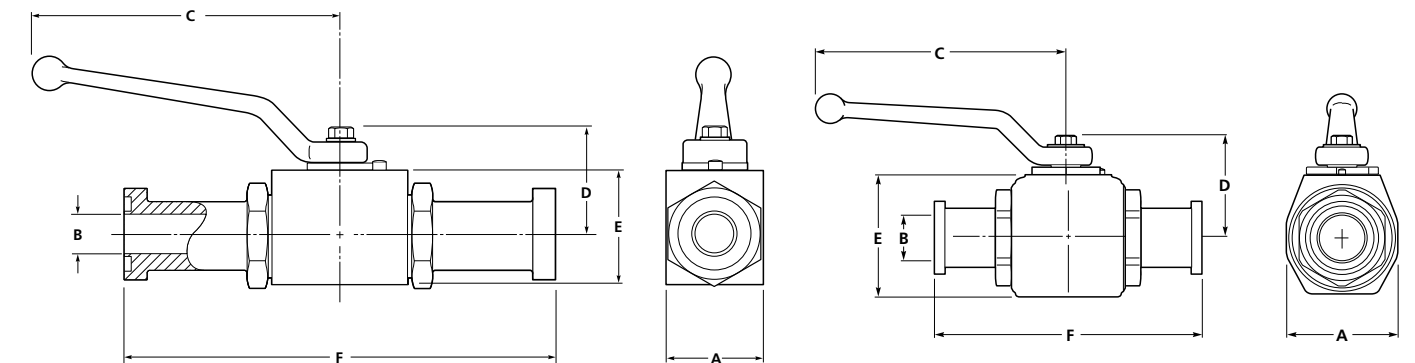
- Lock kits
- Actuator packages
- Straight handles
- Red aluminum handles
- Special ball seats and seals for higher temperature and aggressive applications
- Stainless steel



### Split Flange

SIZE	PART NUMBER	CODE	FLANGE SIZE	WORKING PRESSURE		DIMENSIONS (IN.)					
				PSI	BAR	A	B	C	D	E	F
1/2"	BKH-13-SAE-3000-S-1125	61	1/2"	4630	315	1.37	.51	4.53	1.38	1.57	5.94
1/2"	BKH-13-SAE-6000-S-1125	62	1/2"	5880	400	1.37	.51	4.53	1.38	1.57	5.94
3/4"	BKH-20-SAE-3000-S-1125	61	3/4"	4630	315	1.93	.75	7.87	1.99	2.24	6.38
3/4"	BKH-20-SAE-6000-S-1125	62	3/4"	5880	400	1.93	.75	7.87	1.99	2.24	6.38
1"	BKH-25-SAE-3000-S-1125	61	1"	4630	315	2.36	.98	7.87	2.11	2.56	7.01
1"	BKH-25-SAE-6000-S-1125	62	1"	5880	400	2.36	.98	7.87	2.11	2.56	7.80
1 1/4"	SKH-32-SAE-3000-S-3125	61	1 1/4"	3675	250	2.99	1.18	12.60	2.62	3.39	7.52
1 1/4"	SKH-32-SAE-6000-S-3125	62	1 1/4"	5880	400	2.99	1.18	12.60	2.62	3.39	8.78
1 1/2"	SKH-40-SAE-3000-S-3125	61	1 1/2"	2940	200	3.27	1.50	12.60	2.91	4.06	9.09
1 1/2"	SKH-40-SAE-6000-S-3125	62	1 1/2"	5880	400	3.27	1.50	12.60	2.91	4.06	11.06
2"	SKH-50-SAE-3000-S-3125	61	2"	2940	200	3.94	1.89	12.60	3.11	4.61	9.13
2"	SKH-50-SAE-6000-S-3125	62	2"	5880	400	3.94	1.89	12.60	3.11	4.61	12.44

NOTE: Sizes 1/2"-1" are block body, sizes 1 1/4"-2" are forged body.



Block Body Sizes 1/2"-1"

Forged Body Sizes 1 1/4"-2"

See page 60 for full safety information.



# Code 61/62

## Full Flange Ball Valves

### Specifications

- Block body
- Full port
- Code 61/62 full flange ends
- POM (Polyacetal) ball seats
- Buna-N O-Rings
- Temp range -20°F to 215°F
- Black oxide coating
- Nickel plated ball

### Options

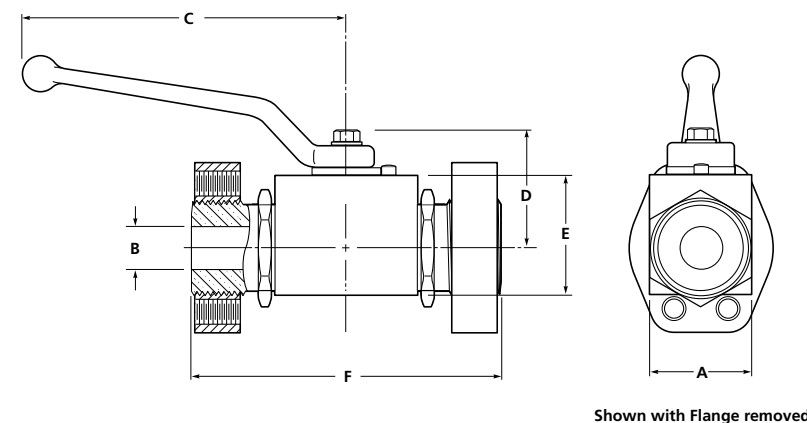
- Lock kits
- Actuator packages
- Straight handles
- Red aluminum handles
- Special ball seats and seals for higher temperature and aggressive applications
- Stainless steel



### Full Flange

SIZE	PART NUMBER	CODE	FLANGE SIZE	WORKING PRESSURE		DIMENSIONS (IN.)									
				PSI	BAR	A	B	C	D	E	F	METRIC	UNC		
1/2"	BKH-13-SAE-3000-F-1123	61	1/2"	4630	315	1.37	.51	4.53	1.38	1.57	4.72	M8	5/16"-18		
1/2"	BKH-13-SAE-6000-F-1123	62	1/2"	5880	400	1.37	.51	4.53	1.38	1.57	4.72	M8	5/16"-18		
3/4"	BKH-20-SAE-3000-F-1123	61	3/4"	4630	315	1.93	.79	6.73	1.99	2.24	5.35	M10	3/8"-16		
3/4"	BKH-20-SAE-6000-F-1123	62	3/4"	5880	400	1.93	.79	6.73	1.99	2.24	5.35	M10	3/8"-16		
1"	BKH-25-SAE-3000-F-1123	61	1"	4630	315	2.28	.98	6.73	2.11	2.56	5.83	M10	3/8"-16		
1"	BKH-25-SAE-6000-F-1123	62	1"	5880	400	2.28	.98	6.73	2.11	2.56	5.83	M10	7/16"-14		
1 1/4"	SKH-32-SAE-3000-F-3123	61	1 1/4"	3675	250	3.19	1.26	12.05	2.62	3.39	6.77	M10	7/16"-14		
1 1/4"	SKH-32-SAE-6000-F-3123	62	1 1/4"	5880	400	3.19	1.26	12.05	2.62	3.39	6.77	M14	1/2"-13		
1 1/2"	SKH-40-SAE-3000-F-3123	61	1 1/2"	2940	200	3.94	1.50	12.05	2.91	4.06	6.97	M12	1/2"-13		
1 1/2"	SKH-40-SAE-6000-F-3123	62	1 1/2"	5880	400	3.94	1.50	12.05	2.91	4.06	6.97	M16	5/8"-11		
2"	SKH-50-SAE-3000-F-3123	61	2"	2940	200	4.65	1.89	12.05	3.11	4.61	7.72	M12	3/4"-10		
2"	SKH-50-SAE-6000-F-3123	62	2"	5880	400	4.65	1.89	12.05	3.11	4.61	7.72	M20	3/4"-10		

NOTE: Valves come standard with metric bolt holes.  
NOTE: Sizes 1/2"-1" are block body, sizes 1 1/4"-2" are forged body.



See page 60 for full safety information.

# Code 61/62

## Split x Full Flange Combination Ball Valves

### Specifications

- Block body
- Full port
- Code 61/62 full flange ends
- POM (Polyacetal) ball seats
- Buna-N O-Rings
- Temp range -20°F to 215°F
- Black oxide coating
- Nickel plated ball

### Options

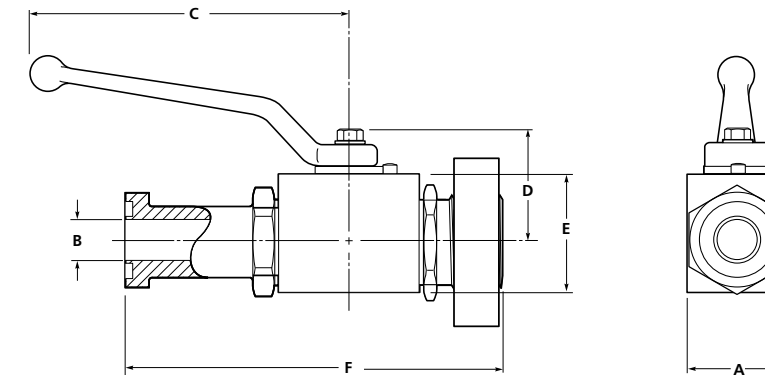
- Lock kits
- Actuator packages
- Straight handles
- Red aluminum handles
- Special ball seats and seals for higher temperature and aggressive applications
- Stainless steel



### Split X Full Flange

SIZE	PART NUMBER	CODE	FLANGE SIZE	WORKING PRESSURE		DIMENSIONS (IN.)									
				PSI	BAR	A	B	C	D	E	F	METRIC	UNC		
1/2"	BKH-13-SAE-3000-D/S-1123	61	1/2"	4630	315	1.37	.51	4.53	1.38	1.57	5.35	M8	5/16"-18		
1/2"	BKH-13-SAE-6000-D/S-1123	62	1/2"	5880	400	1.37	.51	4.53	1.38	1.57	5.35	M8	5/16"-18		
3/4"	BKH-20-SAE-3000-D/S-1123	61	3/4"	4630	315	1.93	.79	6.73	1.99	2.24	5.37	M10	3/8"-16		
3/4"	BKH-20-SAE-6000-D/S-1123	62	3/4"	5880	400	1.93	.79	6.73	1.99	2.24	6.10	M10	3/8"-16		
1"	BKH-25-SAE-3000-D/S-1123	61	1"	4630	315	2.28	.98	6.73	2.11	2.56	6.42	M10	3/8"-16		
1"	BKH-25-SAE-6000-D/S-1123	62	1"	5880	400	2.28	.98	6.73	2.11	2.56	6.81	M10	7/16"-14		
1 1/4"	SKH-32-SAE-3000-D/S-3123	61	1 1/4"	3675	250	3.19	1.26	12.05	2.62	4.21	7.13	M10	7/16"-14		
1 1/4"	SKH-32-SAE-6000-D/S-3123	62	1 1/4"	5880	400	3.19	1.26	12.05	2.62	4.21	7.80	M14	1/2"-13		
1 1/2"	SKH-40-SAE-3000-D/S-3123	61	1 1/2"	2940	200	3.94	1.50	12.05	2.91	4.88	8.03	M12	1/2"-13		
1 1/2"	SKH-40-SAE-6000-D/S-3123	62	1 1/2"	5880	400	3.94	1.50	12.05	2.91	4.88	9.02	M16	5/8"-11		
2"	SKH-50-SAE-3000-D/S-3123	61	2"	2940	200	4.65	1.89	12.05	3.11	5.43	8.43	M12	1/2"-13		
2"	SKH-50-SAE-6000-D/S-3123	62	2"	5880	400	4.65	1.89	12.05	3.11	5.43	10.08	M20	3/4"-10		

NOTE: Valves come standard with metric bolt holes.  
NOTE: Sizes 1/2"-1" are block body, sizes 1 1/4"-2" are forged body.



See page 60 for full safety information.

# FCKH Series

## Direct Mount Flanged Ball Valves

### Specifications

- 1" - 4" sizes
- Floating ball
- Code 61/62 connections
- POM (Polyacetal) ball seats
- Buna-N O-Rings
- Temp range -20°F to 215°F

### Applications

- Hydraulic
- Gas industry
- Environmental industry
- Petrochemical

### Options

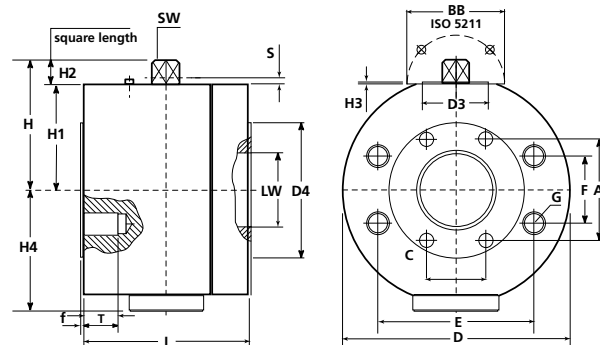
- Lock kits
- Actuator packages
- Stainless steel

### Direct Mount



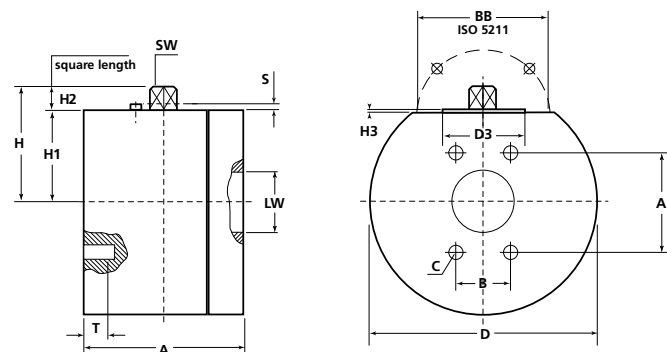
### Code 61/62 Combination

SIZE	PART NUMBER	WORKING PRESSURE		DIMENSIONS (IN.)									
		PSI	BAR	L	D	H	H1	H2	SW	E	F	G	METRIC
1"	FCKH-DN25-SAE-3/6-3123-1	6000	420	3.5	4.65	2.11	1.56	.55	.55	1.03	2.06	M12	
1 1/4"	FCKH-DN32-SAE-3/6-3123-1	6000	420	3.90	5.71	3.35	2.68	.67	.67	1.25	2.63	M12	
1 1/2"	FCKH-DN40-SAE-3/6-3123-1	6000	420	4.30	6.50	3.74	3.07	.67	.67	1.44	3.13	M16	
2"	FCKH-DN50-SAE-3/6-3123-1	6000	420	4.60	7.80	4.37	3.70	.67	.67	1.75	3.81	M20	



### Code 61

SIZE	PART NUMBER	WORKING PRESSURE		DIMENSIONS (IN.)									
		PSI	BAR	L	D	H	H1	H2	SW	A	B	G	METRIC
2 1/2"	FCKH-DN65-SAE-3000-3123-1	2500	160	5.90	7.80	4.49	3.70	.79	.63	3.50	2.00	M12	
3"	FCKH-DN80-SAE-3000-3123-1	2300	160	5.90	8.58	5.10	4.07	1.02	.75	4.19	2.44	M16	
4"	FCKH-DN100-SAE-3000-3123-1	500	35	6.70	10.16	5.87	4.80	1.06	.94	5.13	3.06	M16	



See page 60 for full safety information.

# High Pressure Ball Valve Accessories

### Lock Kits

PART NUMBER	DESCRIPTION	MATERIAL
LK-1	Fits 1/4"-1/2" BKH-BK3 valves	Steel with black oxide coating
LK-1-C	Fits 1/4"-1/2" BKH-BK3 valves	Steel with zinc clear coating
LK-1-SS	Fits 1/4"-1/2" RKH valves	Stainless Steel
LK-2	Fits 3/4"-1 1/2" BKH-BK3 valves	Steel with black oxide coating
LK-2-C	Fits 3/4"-1 1/2" BKH-BK3 valves	Steel with zinc clear coating
LK-2-SS	Fits 3/4"-1" RKH valves	Stainless Steel
LK-3	Fits 1 1/4"-2" SKH-SK3 valves	Steel with black oxide coating
LK-3-C	Fits 1 1/4"-2" SKH-SK3 valves	Steel with zinc clear coating
LK-3-SS	Fits 1 1/4"-2" RKH valves	Stainless Steel



### Handles

PART NUMBER	DESCRIPTION
SW-09-S	Steel cranked handle for 9mm (.36") stem
SW-09-A	Red aluminum handle for 9mm (.36") stem
SW-09-SS	Stainless Steel handle for 9mm (.36") stem
SW-14-S	Steel cranked handle for 14mm (.56") stem
SW-14-A	Red aluminum handle for 14mm (.56") stem
SW-14-SS	Stainless Steel handle for 14mm (.56") stem
SW-17-S	Steel cranked handle for 17mm (.67") stem
SW-17-A	Red aluminum handle for 17mm (.67") stem

NOTE: Handles come with screws.



### Seal Kits

PART NUMBER	DESCRIPTION
BKH-14-KIT-1123	Seal kit Polyacetal/Buna
BKH-14-KIT-1125	Seal kit Polyacetal/FKM/FPM
BKH-38-KIT-1123	Seal kit Polyacetal/Buna
BKH-38-KIT-1125	Seal kit Polyacetal/FKM/FPM
BKH-12-KIT-1123	Seal kit Polyacetal/Buna
BKH-12-KIT-1125	Seal kit Polyacetal/FKM/FPM
BKH-34-KIT-1123	Seal kit Polyacetal/Buna
BKH-34-KIT-1125	Seal kit Polyacetal/FKM/FPM
BKH-1-KIT-1123	Seal kit Polyacetal/Buna
BKH-1-KIT-1125	Seal kit Polyacetal/FKM/FPM
SKH-114-KIT-3123	Seal kit Polyacetal/Buna
SKH-114-KIT-3125	Seal kit Polyacetal/FKM/FPM
SKH-112-KIT-3123	Seal kit Polyacetal/Buna
SKH-112-KIT-3125	Seal kit Polyacetal/FKM/FPM
SKH-2-KIT-3123	Seal kit Polyacetal/Buna
SKH-2-KIT-3125	Seal kit Polyacetal/FKM/FPM

NOTE: Other seat and seal kits available. Contact PCI for details.



See page 60 for full safety information.

## High Pressure Ball Valves with Actuators and Limit Switches

We offer a wide range of Ball Valves with actuators and limit switches. Contact us today with your requirements.



### Please use the following guidelines when requesting a quote:

- Type of actuator (electric, hydraulic or pneumatic?)
- Operation (double acting or spring return?)
- Media? Needs to be specific.
- Maximum system pressure?
- Temperature?
- Environmental (is weatherproofing required?)
- Send all inquiries to [sales@pressurecomponents.com](mailto:sales@pressurecomponents.com)



See page 60 for full safety information.

## High Pressure Ball Valves Quality Information/Warnings

All high pressure ball valves on pages 41 through 55 are manufactured in Germany by Pister® Kugelhähne GmbH.

Pister strives to demonstrate the high quality and reliability of its products. The safety standard is demonstrated through the BAM-Seal, DVGW approval and Vds production and automobile registration. Pister is a certified ISO 9001-2000 company.

A quality management system ensures that the organizational, commercial and technical operations that effect the design quality of our products are planned, controlled and monitored, and that contractually agreed requirements will be met.

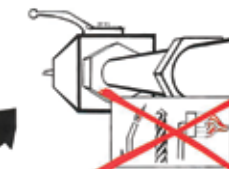
### Quality Certification



Secure adaptor during installation.



No welding, drilling, etc.



Don't operate a ball valve with a tool or an extension.



Don't remove under pressure.



Don't dismantle.



WARNING

### Failure or improper selection or improper use of any of the products and/or systems found in this catalog can cause death, personal injury and/or property damage.

This catalog and other information from PISTER-Kugelhähne GmbH provides product options for further investigation by users having technical expertise. It is important that you analyze all aspects of your application and review the information concerning the product in the current product catalog. Due to the variety of operating conditions and applications for these products, the user, through its own analysis and testing, is solely responsible for making the final selection of the products and assuring that all performance, safety and warning requirements of the application are met. The products described herein, including without limitation, product features, specifications, designs, availability and pricing, are subject to change by PISTER-Kugelhähne GmbH at any time without notice.

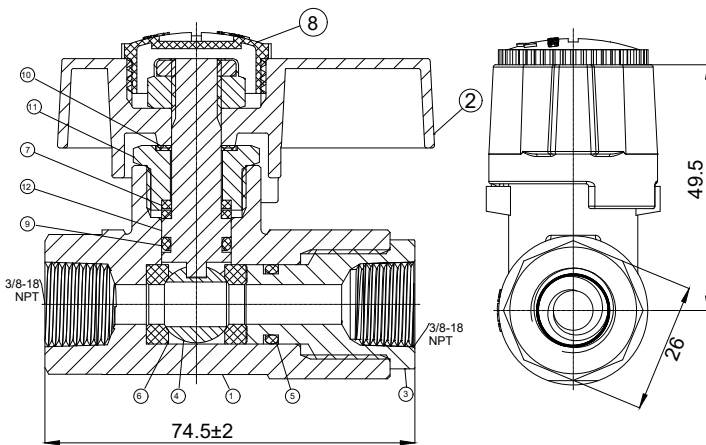


## PW5000 Series

### Pressure Wash Valves

#### Specifications

- 5500 PSI max pressure
- Wedge handle for easy operation
- Quick water shut off for easy changing of pressure wash guns
- 12 GPM rated
- 3/8" NPT threads
- 304 stainless steel body, ball and stem
- 212°F max temperature
- Threaded and slotted cap for easy removal



Dimensions in MM

NUMBER	PARTS	MATERIAL
1	BODY	SS304
2	HANDLE	SS304
3	CAP	SS304
4	BALL	SS304
5	O-RING	FKM
6	SEAT	PEEK
7	THRUST WASHER	RPTFE
8	COVER	BLACK PLASTIC
9	O-RING	FKM
10	GASKET	RPTFE
11	GLAND	SS304
12	STEM	SS304

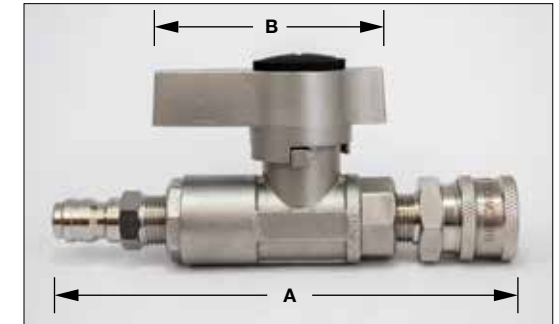
PART NUMBER	SIZE	THREAD	WEIGHT
PW5000	3/8"	3/8" NPT	.98 lbs

## PW5000-ST Series

### Pressure Wash Valves

#### Specifications

- 3500 PSI rated\*
- Wedge handle for easy operation
- Quick water shut off for easy changing of pressure wash guns
- Stainless couplings pre-assembled
- 212°F max temperature



#### PW5000-ST Series

PART NUMBER	SIZE	END CONNECTION	PSI	BAR	A	B
PW5000-ST	3/8"	3/8" Stainless Coupler and Plug	3500	240	5.83	2.98

\*Reduced rating due to quick coupling rated pressure.

\*Ball valve without couplings is rated at 5,000 PSI.

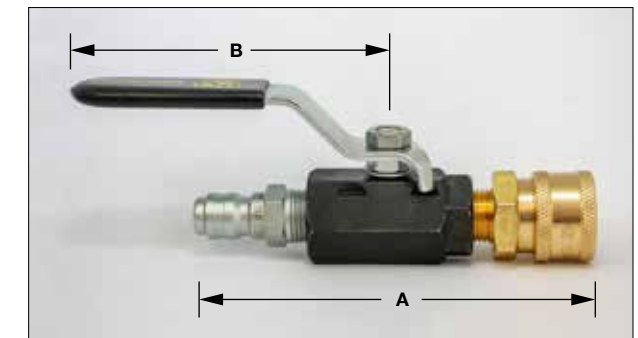
## MPV-ST Series: Pressure Wash Valves

#### Specifications

- 3,000 PSI rated
- Carbon/Graphite filled PTFE seats and seals
- Stainless steel ball
- Full port
- Couplings pre-assembled

#### Temp. Rating

- -20°F to 425°F



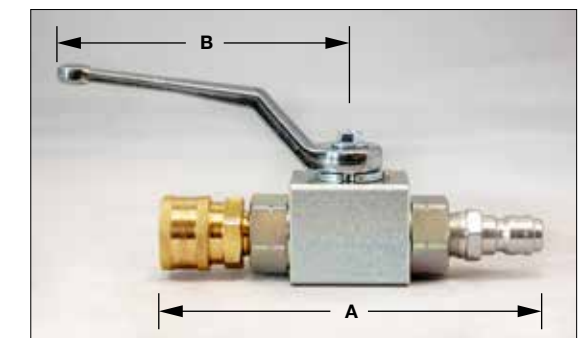
#### MPV-ST Series

SIZE	PART NUMBER	END CONNECTION	PSI	BAR	A	B
3/8"	MPV-38-NPT-ST	3/8" Brass Coupler x 3/8" Steel Plug	3000	205	4.83	3.78

## BKH-ST Series: Pressure Wash Valves

#### Specifications

- 3500 PSI rated\*
- Couplings pre-assembled
- Brass coupler/steel plug
- Delrin ball seats
- Buna-N O-Rings
- Temp range -20°F to 215°F
- Nickel plated ball
- Various handle choices



#### BKH-ST Series

SIZE	END CONNECTION	PSI	BAR	A	B
3/8"	3/8" Brass Coupler x 3/8" Steel Plug	4000	275	5.84	4.21

\*Reduced rating due to quick coupling rated pressure.

\*Ball valve without end connections is rated at 7,350 PSI.



# MPV Series

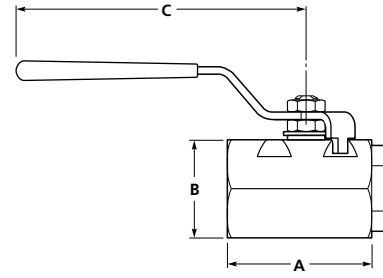
## Medium Pressure Ball Valves

### Specifications

- Steel body from barstock
- Carbon/Graphite filled PTFE seats and seals
- Full port

### Temp. Rating

- -20°F to 425°F



### MPV Series

SIZE	PART NUMBER	THREAD SIZE	WORKING PRESSURE		DIMENSIONS (IN.)		
			PSI	BAR	A	B	C
* 1/4"	MPV-14-NPT	1/4" NPT	3000	205	2.00	1.06	3.78
* 1/4"	MPV-14-SAE	7/16" -20 ORB	3000	205	2.00	1.06	3.78
* 3/8"	MPV-38-NPT	3/8" NPT	3000	205	2.00	1.06	3.78
* 3/8"	MPV-38-SAE	9/16" -18 ORB	3000	205	2.00	1.06	3.78
1/2"	MPV-12-NPT	1/2" NPT	3000	205	2.72	1.62	4.78
1/2"	MPV-12-SAE	3/4" -16 ORB	3000	205	2.72	1.62	4.78
3/4"	MPV-34-NPT	3/4" NPT	3000	205	3.49	1.88	4.78
3/4"	MPV-34-SAE	1 1/16" -12 ORB	3000	205	3.49	1.88	4.78
1"	MPV-1-NPT	1" NPT	3000	205	3.93	2.50	6.10
1"	MPV-1-SAE	1 5/16" -12 ORB	3000	205	3.93	2.50	6.10

\*Stainless steel ball

# 171N Series

## Low Pressure Brass Ball Valves

### Specifications

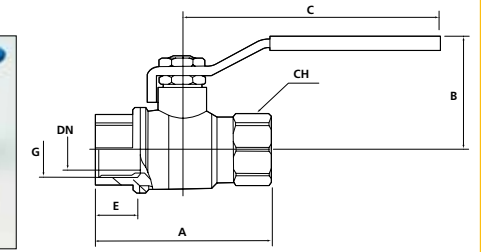
- Full port
- Blow-out proof stem
- PTFE seats, seals, washer
- Chrome plated Brass ball
- Temp rated -22°F to 366°F



Regular Handle



Locking Handle



### Regular Handle

SIZE	THREAD SIZE	PART NUMBER	PSI	DN	DIMENSIONS (IN.)				
					B	A	C	E	CH
1/2"	1/2" NPTF	171N-12-NPT	600	.58	2.08	2.05	3.54	.52	.78
3/4"	3/4" NPTF	171N-34-NPT	600	.74	2.30	2.36	3.78	.56	1.20
1"	1" NPTF	171N-1-NPT	600	.94	2.68	2.75	4.52	.66	1.50
1 1/4"	1 1/4" NPTF	171N-114-NPT	600	1.26	3.14	3.30	4.52	.70	1.82
1 1/2"	1 1/2" NPTF	171N-112-NPT	600	1.57	3.61	3.66	5.51	.72	2.09
2"	2" NPTF	171N-2-NPT	600	1.97	3.68	4.18	5.51	.74	2.12

### Locking Handle

SIZE	THREAD SIZE	PART NUMBER	PSI	DN	DIMENSIONS (IN.)				
					B	A	C	E	CH
1/4"	1/4" NPTF	171N-14-NPT-LH	600	.39	1.83	2.02	3.78	.39	.78
3/8"	3/8" NPTF	171N-38-NPT-LH	600	.39	1.83	2.02	3.78	.39	.78
1/2"	1/2" NPTF	171N-12-NPT-LH	600	.59	1.99	2.44	3.78	.53	.98
3/4"	3/4" NPTF	171N-34-NPT-LH	600	.79	2.48	2.71	4.84	.55	1.22
1"	1" NPTF	171N-1-NPT-LH	600	.98	2.64	3.07	4.84	.66	1.49
1 1/4"	1 1/4" NPTF	171N-114-NPT-LH	600	1.29	3.15	3.42	5.94	.68	1.88
1 1/2"	1 1/2" NPTF	171N-112-NPT-LH	600	1.57	3.38	3.89	5.94	.68	2.12
2"	2" NPTF	171N-2-NPT-LH	600	1.96	3.74	4.33	6.30	.69	2.63

# 383 Series

## Low Pressure Mini Ball Valves

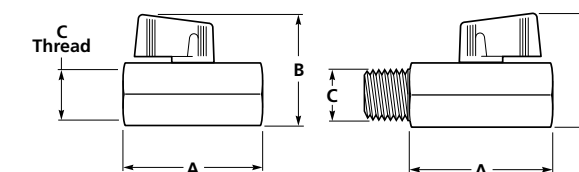
### Specifications

- One piece body
- Blow-out proof stem
- FPM O-Rings
- PTFE seats
- Temp rated 4°F to 200°F



### 383 Series

SIZE	PART NUMBER	THREAD (C)	PSI	A	B
1/8"	383N-18-NPT	1/8"F x 1/8"F NPTF	450	1.71	1.50
1/8"	383M-18-NPT	1/8"F x 1/8"M NPTF	450	1.71	1.50
1/4"	383N-14-NPT	1/4"F x 1/4"F NPTF	450	1.71	1.50
1/4"	383M-14-NPT	1/4"F x 1/4"M NPTF	450	1.71	1.50
3/8"	383N-38-NPT	3/8"F x 3/8"F NPTF	450	1.71	1.50
3/8"	383M-38-NPT	3/8"F x 3/8"M NPTF	450	1.71	1.50
1/2"	383N-12-NPT	1/2"F x 1/2"F NPTF	450	2.10	1.73
1/2"	383M-12-NPT	1/2"F x 1/2"M NPTF	450	2.10	1.73



# SLB Series

## Low Pressure Stainless Steel Ball Valves

### Specifications

- 316 Stainless body, ball and stem
- Pure PTFE seats
- Blow-out proof stems
- Lock handle standard
- Full port

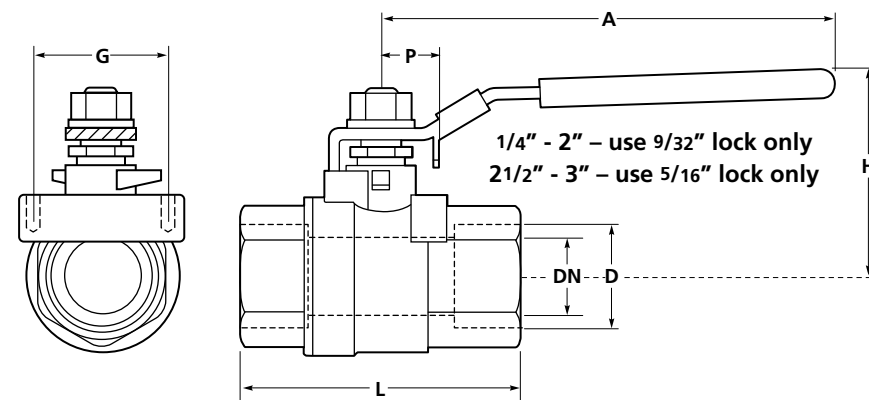
### Temp. Rating

- -20°F to 350°F



### SLB Series

				DIMENSIONS (IN.)						
SIZE	THREAD SIZE	PART NUMBER	PSI	D	DN	P	L	G	A	H
1/4"	1/4" NPTF	SLB-14-NPT-LH	1000	1/4"	.45	.38	2.16	1.12	3.93	1.96
3/8"	3/8" NPTF	SLB-38-NPT-LH	1000	3/8"	.49	.38	2.16	1.12	3.93	1.96
1/2"	1/2" NPTF	SLB-12-NPT-LH	1000	1/2"	.59	.43	2.55	1.12	5.11	2.36
3/4"	3/4" NPTF	SLB-34-NPT-LH	1000	3/4"	.78	.43	2.93	1.38	5.11	2.51
1"	1" NPTF	SLB-1-NPT-LH	1000	1"	.98	.53	3.46	1.38	6.49	2.79
1 1/4"	1 1/4" NPTF	SLB-114-NPT-LH	1000	1 1/4"	1.25	.53	4.01	1.50	6.49	3.07
1 1/2"	1 1/2" NPTF	SLB-112-NPT-LH	1000	1 1/2"	1.49	.61	4.33	1.50	7.48	3.38
2"	2" NPTF	SLB-2-NPT-LH	1000	2"	1.96	.61	4.92	1.50	7.48	3.74
2 1/2"	2 1/2" NPTF	SLB-212-NPT-LH	1000	2 1/2"	2.56	1.75	6.02	2.56	9.61	4.72
3"	3" NPTF	SLB-3-NPT-LH	1000	3"	3.15	1.75	6.85	2.56	9.61	5.16



# Flow Control Valves

### Specifications

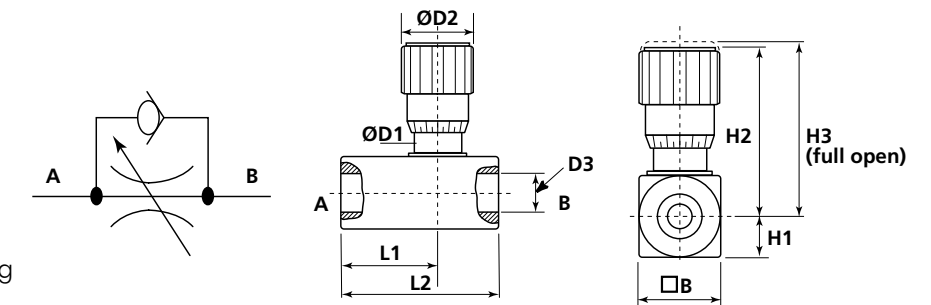
- Micrometer adjustment knob for accurate valve setting
- Rugged construction
- Carbon steel body with black oxide plating
- Zinc alloy handle
- Steel set screw
- Buna-O-Ring/PTFE stem packing

### Maximum Pressure

- 5000 PSI

### Temp. Rating

- -4°F to 176°F



		DIMENSIONS (IN.)									
SIZE	PART NUMBER	B	D1	D2	D3	H1	H2	H3	L1	L2	WEIGHT
1/4"	FCV2818-2	1.10	0.76	1.18	1/4" NPTF	0.55	2.41	2.67	1.54	2.52	0.90 lbs
3/8"	FCV2818-3	1.10	0.76	1.18	3/8" NPTF	0.55	2.41	2.67	1.69	2.75	0.90 lbs
1/2"	FCV2818-4	1.50	0.95	1.46	1/2" NPTF	0.75	3.07	3.41	2.05	3.27	2.00 lbs
3/4"	FCV2818-6	1.50	0.95	1.46	3/4" NPTF	0.75	3.08	3.41	2.19	3.50	2.00 lbs
1"	FCV2818-8	1.89	1.38	1.89	1" NPTF	0.94	4.03	4.50	2.79	4.60	4.20 lbs
1 1/4"	FCV2818-10	2.38	1.96	2.28	1 1/4" NPTF	1.18	5.25	5.88	3.39	6.07	9.55 lbs
3/8"	FCV2818-3- <i>SAE</i>	1.10	0.76	1.18	06 SAE	0.55	2.41	2.67	1.69	2.75	0.90 lbs

### Flow Control Valve



# Needle Valves

### Specifications

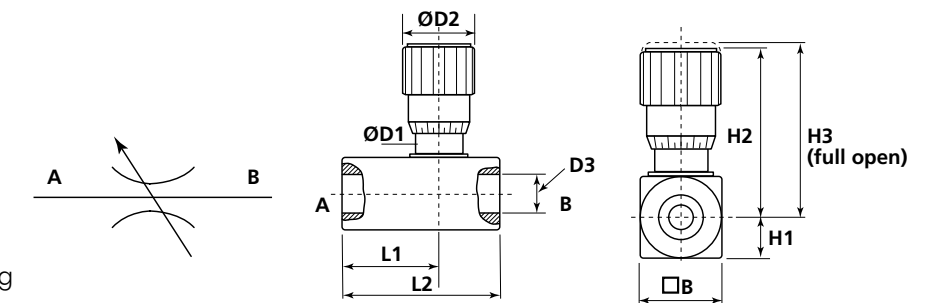
- Micrometer adjustment knob for accurate valve setting
- Rugged construction
- Carbon steel body with black oxide plating
- Zinc alloy handle
- Steel set screw
- Buna-O-Ring/PTFE stem packing

### Maximum Pressure

- 5000 PSI

### Temp. Rating

- -4°F to 176°F



		DIMENSIONS (IN.)									
SIZE	PART NUMBER	B	D1	D2	D3	H1	H2	H3	L1	L2	WEIGHT
1/4"	NVI2810-2	1.10	0.76	1.18	1/4" NPTF	0.55	2.41	2.67	1.54	2.52	0.90 lbs
3/8"	NVI2810-3	1.10	0.76	1.18	3/8" NPTF	0.55	2.41	2.67	1.69	2.75	0.90 lbs
1/2"	NVI2810-4	1.50	0.95	1.46	1/2" NPTF	0.75	3.07	3.41	2.05	3.27	2.00 lbs
3/4"	NVI2810-6	1.50	0.95	1.46	3/4" NPTF	0.75	3.08	3.41	2.19	3.50	2.00 lbs
1"	NVI2810-8	1.89	1.38	1.89	1" NPTF	0.94	4.03	4.50	2.79	4.60	4.20 lbs
1 1/4"	NVI2810-10	2.39	1.74	2.26	1 1/4" NPTF	1.20	5.34	5.88	2.24	4.49	7.50 lbs
1 1/2"	NVI2810-12	2.76	2.38	3.17	1 1/2" NPTF	1.38	6.30	7.13	2.41	4.81	15.40 lbs
3/8"	NVI2810-3- <i>SAE</i>	1.10	0.76	1.18	06 SAE	0.55	2.41	2.67	1.69	2.75	0.90 lbs

### Needle Valve



# PC-100 Series

## Needle Valves



### Specifications

- Made in the USA
- Compact valve size built for maximum durability and performance
- Available in zinc plated steel, brass, and 316 stainless steel
- FKM o-ring and PTFE back-up ring below the stem threads to protect from corrosion
- All stem threads are rolled for strength and ease of operation
- Patented body-to-bonnet, metal-to-metal seal is designed to increase pressure range

### Orifice Size

0.172"

### Flow Coefficient

Cv 0.42

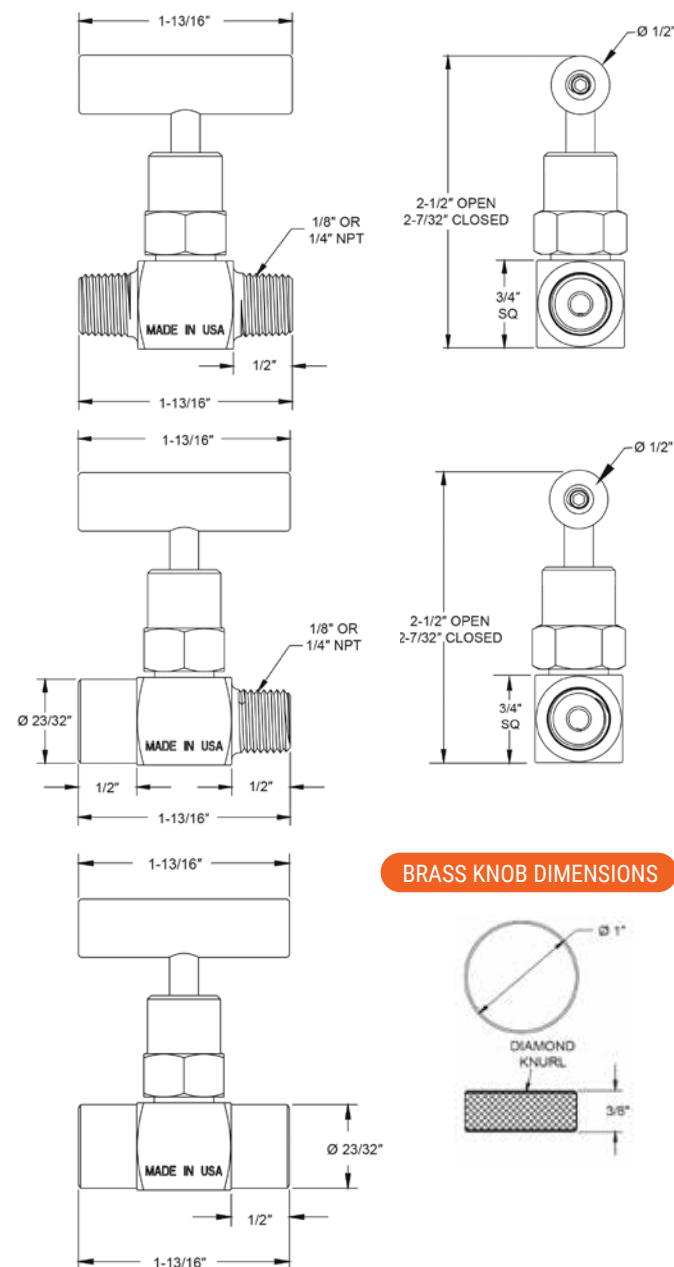
### Pressure

Brass 6000 PSI

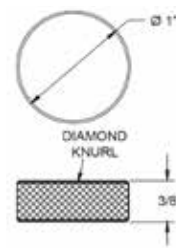
Steel and Stainless 10,000 PSI

PART NUMBER	SIZE	THREAD	MATERIAL
PC-101-FFB	1/8"	1/8" FxF	BRASS
PC-101-MFB	1/8"	1/8" MxF	BRASS
PC-101-MMB	1/8"	1/8" MxM	BRASS
PC-101-FFC	1/8"	1/8" FxF	STEEL
PC-101-MFC	1/8"	1/8" MxF	STEEL
PC-101-MMC	1/8"	1/8" MxM	STEEL
PC-101-FFS	1/8"	1/8" FxF	STAINLESS
PC-101-MFS	1/8"	1/8" MxF	STAINLESS
PC-101-MMS	1/8"	1/8" MxM	STAINLESS
PC-102-FFB	1/4"	1/4" FxF	BRASS
PC-102-MFB	1/4"	1/4" MxF	BRASS
PC-102-MMB	1/4"	1/4" MxM	BRASS
PC-102-FFC	1/4"	1/4" FxF	STEEL
PC-102-MFC	1/4"	1/4" MxF	STEEL
PC-102-MMC	1/4"	1/4" MxM	STEEL
PC-102-FFS	1/4"	1/4" FxF	STAINLESS
PC-102-MFS	1/4"	1/4" MxF	STAINLESS
PC-102-MMS	1/4"	1/4" MxM	STAINLESS

### 1/8" - 1/4" DIMENSIONS



### BRASS KNOB DIMENSIONS



# PC-400 Series

## Needle Valves

### Specifications

- Made in the USA
- Blow-out proof stem provides a secondary stem seal in the fully opened position
- FKM o-ring seal and PTFE back-up ring below the stem threads to protect from corrosion
- All stem threads are rolled for strength and ease of operation
- One piece bonnet with a metal-to-metal seal to the valve body below the bonnet threads
- Slotted spring pin to prevent accidental loosening
- Vinyl dust cap for bonnet and stem (non-packing)
- Available in steel and 316 stainless steel
- All stainless valves meet NACE requirements
- 10,000 PSI rated

### Orifice Sizes

1/4" x 1/2" 0.187"

3/4" x 1-1/2" 0.438"

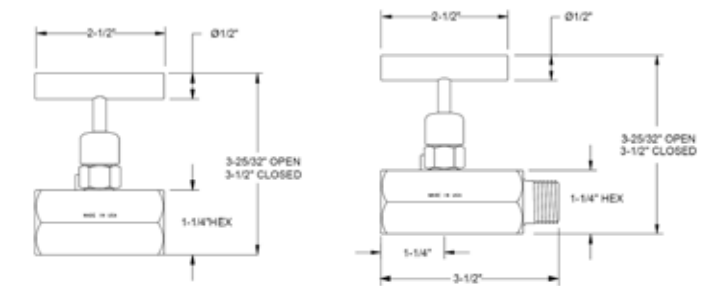
### Flow Coefficient

1/4" x 1/2" Cv 0.44

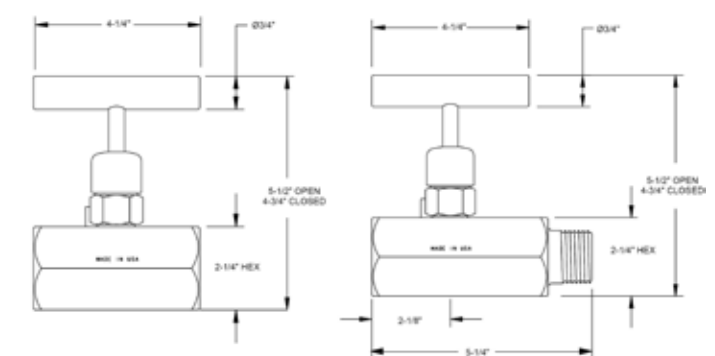
3/4" x 1-1/2" Cv 2.70



### 1/4" - 1/2" DIMENSIONS

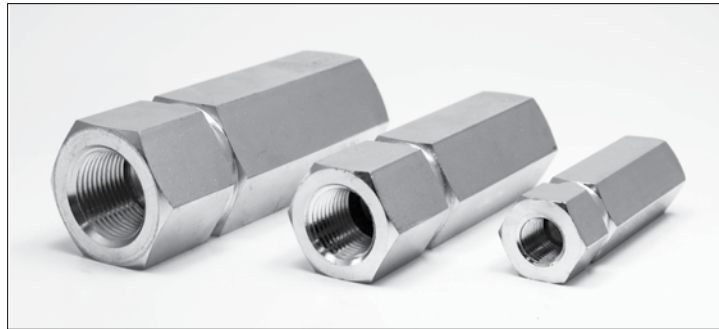


### 3/4" - 1-1/2" DIMENSIONS



# VU Series

## Soft-Seat Check Valves-Steel



### Rated Pressure - PSI

BODY SIZE	PSI
1/4"	10,000
3/8"	10,000
1/2"	7250
3/4"	7250
1"	7250
1 1/4"	4350
1 1/2"	4350
2"	4350

### Steel

#### Features

- Zinc clear plated body
- Captive Buna-N seal
- One piece body

#### Applications

- Agriculture
- Construction
- Hydraulic
- Pneumatic

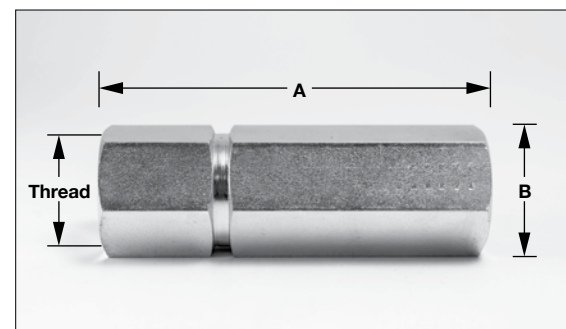
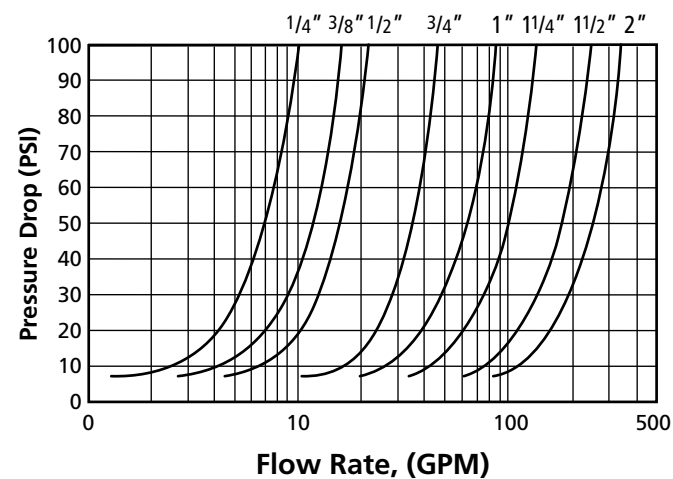
#### Spring Pressures

- 7 or 70 PSI

SIZE	PART NUMBER	THREAD	SPRING	DIMENSIONS (IN.)	
				A	B
1/4"	VU-14-F-7	1/4" NPTF	7 PSI	2.83	.87
1/4"	VU-14-F-70	1/4" NPTF	70 PSI	2.83	.87
3/8"	VU-38-F-7	3/8" NPTF	7 PSI	3.19	.94
3/8"	VU-38-F-70	3/8" NPTF	70 PSI	3.19	.94
1/2"	VU-12-F-7	1/2" NPTF	7 PSI	3.78	1.18
1/2"	VU-12-F-70	1/2" NPTF	70 PSI	3.78	1.18
3/4"	VU-34-F-7	3/4" NPTF	7 PSI	4.28	1.50
3/4"	VU-34-F-70	3/4" NPTF	70 PSI	4.28	1.50
1"	VU-1-F-7	1" NPTF	7 PSI	4.96	1.81
1"	VU-1-F-70	1" NPTF	70 PSI	4.96	1.81
1 1/4"	VU-114-F-7	1 1/4" NPTF	7 PSI	5.12	2.17
1 1/2"	VU-112-F-7	1 1/2" NPTF	7 PSI	5.31	2.56
2"	VU-2-F-7	2" NPTF	7 PSI	5.91	2.95

### Performance:

#### Pressure Drop vs. Flow Rate



# VU Series

## 316 Stainless Steel Soft-Seat Check Valves



### Rated Pressure - PSI

BODY SIZE	PSI
1/4"	5145
3/8"	5145
1/2"	5145
3/4"	4410
1"	3675
1 1/4"	3675
1 1/2"	3675
2"	2200

### Stainless Steel

#### Features

- 316 stainless body
- 302 stainless springs
- FKM/FPM poppet seal
- Low pressure drop

#### Applications

- Construction
- Chemical
- Hydraulic tools

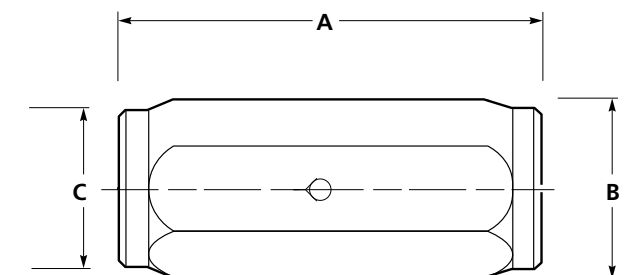
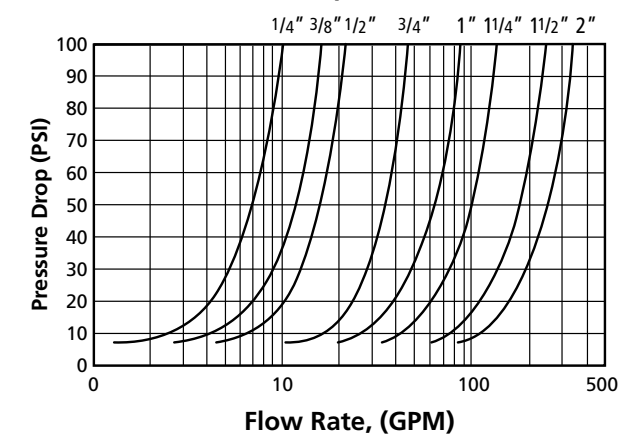
#### Spring Pressures

- 7 PSI only

SIZE	PART NUMBER	THREAD C	A	B
1/4"	VU-14-F-7-SS	1/4" NPTF	1.97	.75
3/8"	VU-38-F-7-SS	3/8" NPTF	2.36	.94
1/2"	VU-12-F-7-SS	1/2" NPTF	2.56	1.60
3/4"	VU-34-F-7-SS	3/4" NPTF	2.95	1.34
1"	VU-1-F-7-SS	1" NPTF	3.66	1.61
1 1/4"	VU-114-F-7-SS	1 1/4" NPTF	4.33	1.97
1 1/2"	VU-112-F-7-SS	1 1/2" NPTF	4.41	2.17
2"	VU-2-F-7-SS	2" NPTF	4.72	2.95

### Performance:

#### Pressure Drop vs. Flow Rate





# HSP Series

## Hard Seat Check Valves-Steel



### Features

- Zinc clear plated body (RoHs compliant)
- Metal-to-metal seat
- One-piece body

### Applications

- Hydraulic
- Chemical
- Construction

### Spring Pressures

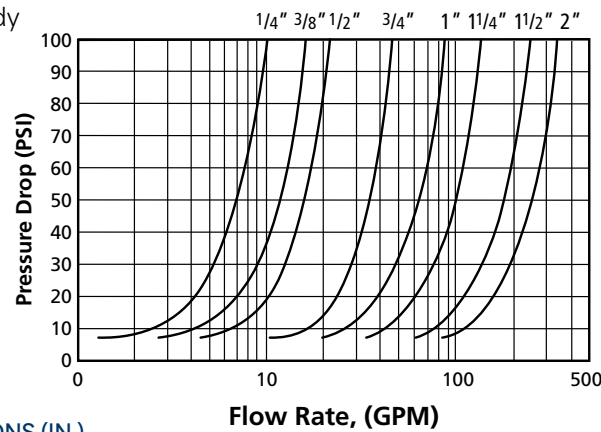
- 5 or 65 PSI

### Steel

SIZE	PART NUMBER	THREAD C	SPRING	DIMENSIONS (IN.)	
				B	C
1/4"	HSP-1000-2-5	1/4" NPTF	5 PSI	2.44	.87
1/4"	HSP-1000-2-65	1/4" NPTF	65 PSI	2.44	.87
3/8"	HSP-1000-3-5	3/8" NPTF	5 PSI	2.87	.95
3/8"	HSP-1000-3-65	3/8" NPTF	65 PSI	2.87	.95
1/2"	HSP-1000-4-5	1/2" NPTF	5 PSI	3.50	1.14
1/2"	HSP-1000-4-65	1/2" NPTF	65 PSI	3.50	1.14
3/4"	HSP-1000-6-5	3/4" NPTF	5 PSI	4.25	1.50
3/4"	HSP-1000-6-65	3/4" NPTF	65 PSI	4.25	1.50
1"	HSP-1000-8-5	1" NPTF	5 PSI	5.12	1.69
1"	HSP-1000-8-65	1" NPTF	65 PSI	5.12	1.69
1 1/4"	HSP-1000-10-5	1 1/4" NPTF	5 PSI	5.56	2.40
1 1/4"	HSP-1000-10-65	1 1/4" NPTF	65 PSI	5.56	2.40
1 1/2"	HSP-1000-12-5	1 1/2" NPTF	5 PSI	5.56	2.56
1 1/2"	HSP-1000-12-65	1 1/2" NPTF	65 PSI	5.56	2.56
2"	HSP-1000-16-5	2" NPTF	5 PSI	7.91	3.15
2"	HSP-1000-16-65	2" NPTF	65 PSI	7.91	3.15

SIZE	PART NUMBER	THREAD C	SPRING	DIMENSIONS (IN.)	
				B	C
1/4"	HSP-1001-4-5	7/16" -20 ORB	5 PSI	2.44	.87
1/4"	HSP-1001-4-65	7/16" -20 ORB	65 PSI	2.44	.87
3/8"	HSP-1001-6-5	9/16" -18 ORB	5 PSI	2.87	.95
3/8"	HSP-1001-6-65	9/16" -18 ORB	65 PSI	2.87	.95
1/2"	HSP-1001-8-5	3/4" -16 ORB	5 PSI	3.50	1.14
1/2"	HSP-1001-8-65	3/4" -16 ORB	65 PSI	3.50	1.14
3/4"	HSP-1001-12-5	1 1/16" -12 ORB	5 PSI	4.25	1.50
3/4"	HSP-1001-12-65	1 1/16" -12 ORB	65 PSI	4.25	1.50
1"	HSP-1001-16-5	1 5/16" -12 ORB	5 PSI	5.12	1.69
1"	HSP-1001-16-65	1 5/16" -12 ORB	65 PSI	5.12	1.69
1 1/4"	HSP-1001-20-5	1 5/8" -12 ORB	5 PSI	5.56	2.40
1 1/4"	HSP-1001-20-65	1 5/8" -12 ORB	65 PSI	5.56	2.40
1 1/2"	HSP-1001-24-5	1 7/8" -12 ORB	5 PSI	5.56	2.56
1 1/2"	HSP-1001-24-65	1 7/8" -12 ORB	65 PSI	5.56	2.56

Pressure Drop vs. Flow Rate



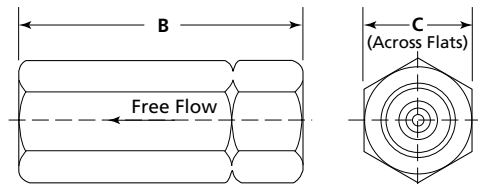
Flow Rate, (GPM)

### Rated Flow

BODY SIZE	GPM
1/4"	6
3/8"	9.5
1/2"	18
3/4"	30
1"	35
1 1/4"	60
1 1/2"	90
2"	145

### Rated Pressure - PSI

BODY SIZE	PSI
1/4"	6000
3/8"	6000
1/2"	5000
3/4"	5000
1"	5000
1 1/4"	3000
1 1/2"	3000
2"	3000



# Standard Series Clamps

## Ordering Example

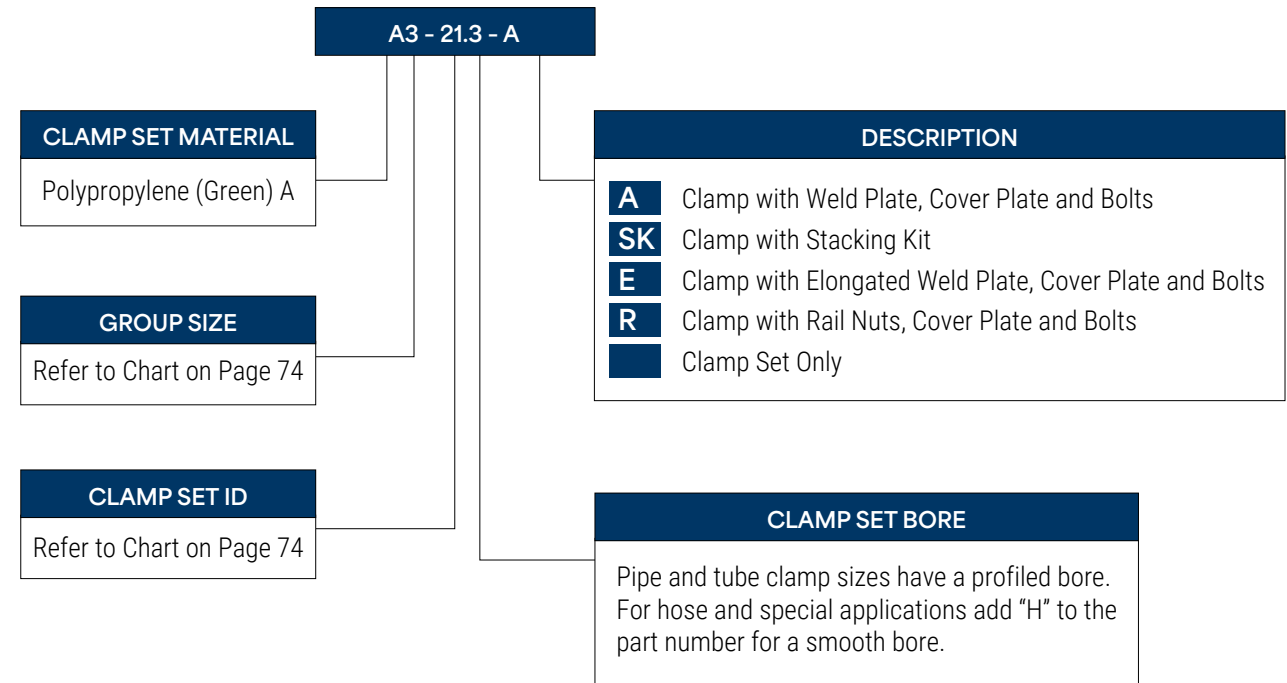


### Features

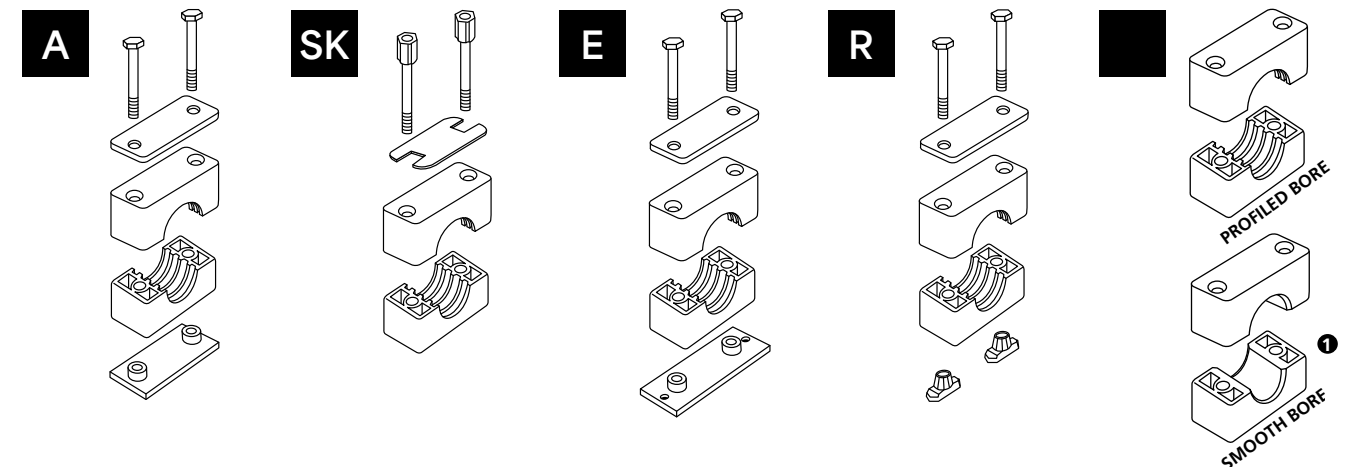
- Meets DIN 3015-1 specifications
- Interchangeable with:
  - Stauff
  - ZSI
  - Behringer

### Temp. Rating

- -22°F to 195°F

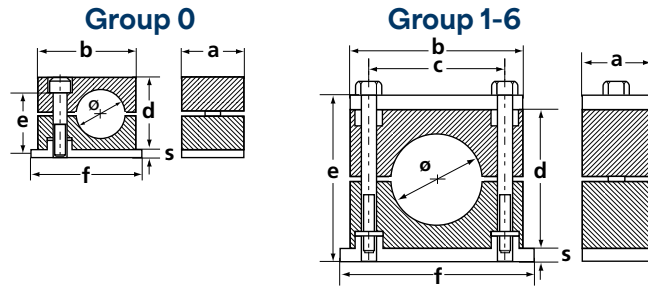


\*\*\*S" Prefix = Stainless Steel Hardware



# Standard Series

## Sizes and Dimensions



PCI GROUP	DIN GROUP	DIAMETER				COMPLETE ASSEMBLY PART #	DIMENSIONS							BAG QTY.
		Ø	PIPE NOMINAL	TUBE BORE	O.D.		A	B	C	D	F	S	E	
0	0	6	0.24	—	—	A0-06H-A	30mm	28mm	—	27mm	32mm	3mm	33mm	50
		8	0.31	—	5/16"	A0-08-A	1.18"	1.10"	—	1.06"	1.26"	0.12"	1.30"	
		10	0.39	1/8"	—	A0-10-A								
		12	0.47	—	—	A0-12H-A								
1	1	6	0.24	—	—	A1-06H-A	30mm	34mm	20mm	27mm	42mm	3mm	33mm	50
		6.4	0.25	—	1/4"	A1-6.4-A*								
		8	0.31	—	5/16"	A1-08-A								
		9.5	0.37	—	3/8"	A1-9.5-A								
		10	0.39	1/8"	—	A1-10-A								
2	2	12	0.47	—	—	A1-12H-A	30mm	40mm	26mm	33mm	48mm	3mm	39mm	50
		12.7	0.50	—	1/2"	A2-12.7-A*								
		13.5	0.53	1/4"	—	A2-13.5-A*								
		14	0.55	—	—	A2-14H-A								
		15	0.59	—	—	A2-15H-A								
		16	0.63	—	5/8"	A2-16-A*								
		17.2	0.67	3/8"	—	A2-17.2-A*								
3	3	18	0.71	—	—	A2-18H-A	30mm	45mm	33mm	35mm	55mm	3mm	41mm	50
		19	0.75	—	—	A2-19H-A								
		19	0.75	—	3/4"	A3-19-A*								
		20	0.79	—	—	A3-20H-A								
		21.3	0.84	1/2"	—	A3-21.3-A*								
4	4	22	0.87	—	7/8"	A3-22-A	30mm	57mm	40mm	42mm	62mm	3mm	48mm	25
		25	0.98	—	—	A3-25H-A								
		25.4	1.00	—	1"	A3-25.4-A*								
		26.9	1.06	3/4"	—	A4-26.9-A*								
5	5	28	1.10	—	—	A4-28H-A*	30mm	68mm	52mm	58mm	74mm	3mm	64mm	25
		30	1.18	—	—	A4-30H-A								
		32	1.25	—	1 1/4"	A4-32-A*								
		32	1.25	—	1 1/4"	A5-32-A								
		33.7	1.33	1"	—	A5-33.7-A								
6	6	35	1.38	—	—	A5-35H-A*	30mm	86mm	66mm	66mm	88mm	3mm	77mm	25
		38	1.50	—	1 1/2"	A5-38-A*								
		40	1.57	—	—	A5-40H-A								
		42	1.65	—	—	A5-42H-A								
		42.4	1.67	1 1/4"	—	A5-42.4-A*								
6	6	44.5	1.75	—	1 3/4"	A6-44.5-A	30mm	86mm	66mm	66mm	88mm	3mm	77mm	25
		48.3	1.90	1 1/2"	—	A6-48.3-A*								
		50.8	2.00	—	2"	A6-50.8-A								

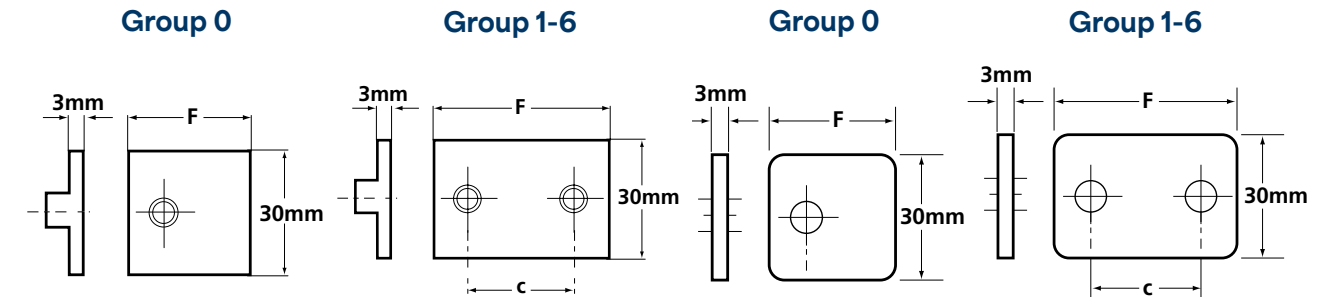
Add "S" prefix for stainless steel hardware when ordering a complete clamp assembly. To order a set of inserts only, omit the "A" from the end of the part number.

\*Available in black. Add "B" prefix to part number.

NOTE: "H" in part number designates a smooth bore insert.

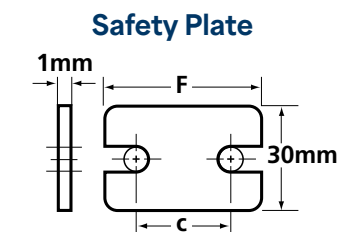
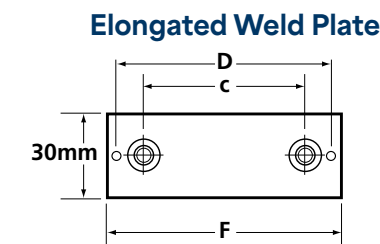
# Standard Series

## Components



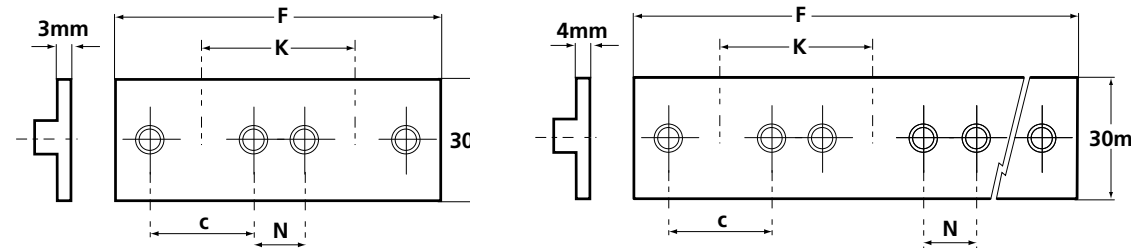
GROUP	Weld Plate				Cover Plate			
	PART NUMBER	DIMENSIONS		BAG QTY.	PART NUMBER	DIMENSIONS		BAG QTY.
0	WP0	32mm 1.28"	—	50	CP0	28mm 1.10"	—	50
1	WP1	42mm 1.65"	20mm 0.79"	50	CP1	37mm 1.46"	20mm 0.79"	50
2	WP2	48mm 1.89"	26mm 1.02"	50	CP2	43mm 1.69"	26mm 1.02"	50
3	WP3	55mm 2.17"	33mm 1.30"	50	CP3	50mm 1.97"	33mm 1.30"	50
4	WP4	62mm 2.44"	40mm 1.57"	25	CP4	57mm 2.24"	40mm 1.57"	25
5	WP5	74mm 2.91"	52mm 2.05"	25	CP5	69mm 2.72"	52mm 2.05"	25
6	WP6	88mm 3.46"	66mm 2.60"	25	CP6	83mm 3.27"	66mm 2.60"	25

Add "S" prefix for stainless steel hardware.



# Standard Series

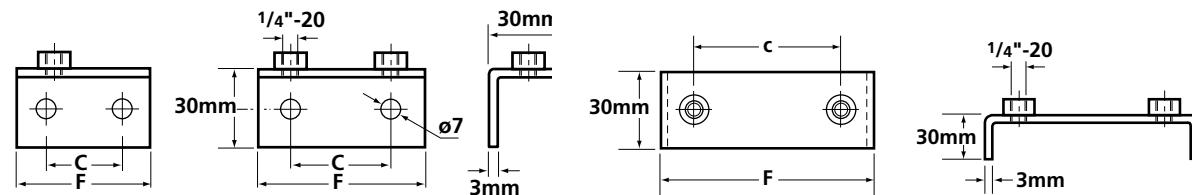
## Components



Double Weld Plate

Multiple Weld Plate

GROUP	PART NUMBER	DIMENSIONS				PART NUMBER	DIMENSIONS				CLAMPS PER PLATE
		F	C	N	K		F	C	N	K	
0	DWP0	61mm 2.40"	—	—	30mm 1.18"	MWP0	309mm 12.2"	—	—	30mm 1.18"	10
1	DWP1	81mm 3.19"	20mm 0.79"	20mm 0.79"	40mm 1.57"	MWP1	368mm 14.5"	20mm 0.79"	20mm 0.79"	40mm 1.57"	10
2	DWP2	91mm 3.58"	26mm 1.02"	18mm 0.71"	44mm 1.73"	MWP2	463mm 18.25"	26mm 1.02"	18mm 0.71"	44mm 1.73"	10
3	DWP3	106mm 4.17"	33mm 1.30"	19mm 0.75"	52mm 2.05"	MWP3	546mm 21.5"	33mm 1.30"	19mm 0.75"	52mm 2.05"	10
4	DWP4	121mm 4.76"	40mm 1.57"	20mm 0.79"	60mm 2.36"	MWP4	304mm 12"	40mm 1.57"	20mm 0.79"	60mm 2.36"	5
5	DWP5	148mm 5.83"	52mm 2.05"	23mm .91"	75mm 2.95"	MWP5	377mm 14.85"	52mm 2.05"	23mm 0.91"	75mm 2.95"	5
6	DWP6	177mm 6.97"	66mm 2.60"	24mm 0.94"	90mm 3.54"	MWP6	445mm 17.5"	66mm 2.60"	24mm 0.94"	90mm 3.54"	5



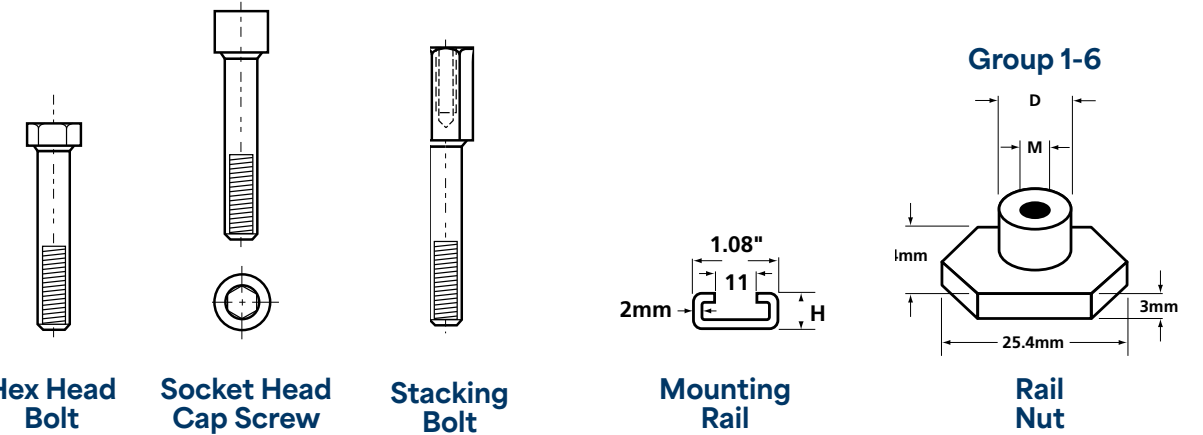
Angled Weld Plate

Bridge Weld Plate

GROUP	DIMENSIONS			DIMENSIONS		
	PART NUMBER	F	C	PART NUMBER	F	C
0	AWP0	32mm 1.26"	14mm 0.55"	—	—	—
1	AWP1	42mm 1.65"	20mm 0.79"	BWP1	48mm 1.89"	20mm 0.79"
2	AWP2	48mm 1.89"	26mm 1.02"	BWP2	54mm 2.13"	26mm 1.02"
3	AWP3	55mm 2.17"	33mm 1.30"	BWP3	62mm 2.44"	33mm 1.30"
4	AWP4	62mm 2.44"	40mm 1.57"	BWP4	71mm 2.80"	40mm 1.57"
5	AWP5	74mm 2.91"	52mm 2.05"	BWP5	85mm 3.35"	52mm 2.05"
6	AWP6	88mm 3.46"	66mm 2.60"	BWP6	98mm 3.86"	66mm 2.60"

# Standard Series

## Components



Hex Head Bolt

Socket Head Cap Screw

Stacking Bolt

Mounting Rail

Rail Nut

GROUP	PART NUMBER SIZE	PART NUMBER SIZE	PART NUMBER			PART NUMBER M	PART NUMBER D
			PART NUMBER SIZE	HEIGHT H	LENGTH L		
0	HB0/1 1/4" - 20 x 11/4"	SC0/1 1/4" - 20 x 3/4"	SB0/1 1/4" - 20 x 3/4"	MR-11-2 11mm 0.43	2m 6.56	RNS/T1 1/4" - 20	12mm 0.47"
1	HB0/1 1/4" - 20 x 11/4"	SC0/1 1/4" - 20 x 3/4"	SB0/1 1/4" - 20 x 3/4"	MR-11-2 11mm 0.43	2m 6.56		
2	HB2 1/4" - 20 x 13/8"	SC2 1/4" - 20 x 1"	SB2 1/4" - 20 x 1"	MR-11-2 11mm 0.43	1m 6.56		
3	HB3 1/4" - 20 x 11/2"	SC3 1/4" - 20 x 11/4"	SB3 1/4" - 20 x 11/4"	MR-11-2 11mm 0.43	2m 6.56		
4	HB4 1/4" - 20 x 13/4"	SC4 1/4" - 20 x 13/8"	SB4 1/4" - 20 x 13/8"	MR-11-2 11mm 0.43	2m 6.56		
5	HB5 1/4" - 20 x 21/2"	SC5 1/4" - 20 x 2"	SB5 1/4" - 20 x 2"	MR-11-2 11mm 0.43	2m 6.56		
6	HB6 1/4" - 20 x 23/4"	SC6 1/4" - 20 x 23/8"	SB6 1/4" - 20 x 23/8"	—	—		

Add "S" prefix for stainless steel hardware.

# Twin Series Clamps

## Ordering Example



### Features

- Meets DIN 3015-3 specifications
- Interchangeable with:
  - Stauff
  - ZSI
  - Behringer

### Temp. Rating

- -22°F to 195°F

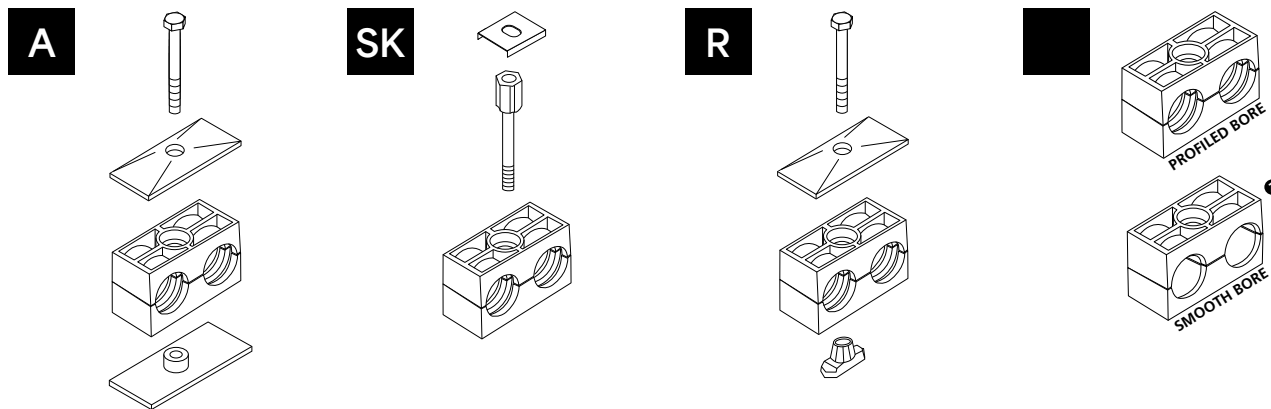
**AT4 - 26.9 - A**

<b>CLAMP SET MATERIAL</b>	<b>DESCRIPTION</b>
Polypropylene (Green) AT	<b>A</b> Clamp with Weld Plate, Cover Plate and Bolts
	<b>SK</b> Clamp with Stacking Kit
	<b>R</b> Clamp with Rail Nuts, Cover Plate and Bolts
	Clamp Set Only

**GROUP SIZE**  
Refer to Chart on Page 79

**CLAMP SET ID**  
Refer to Chart on Page 79

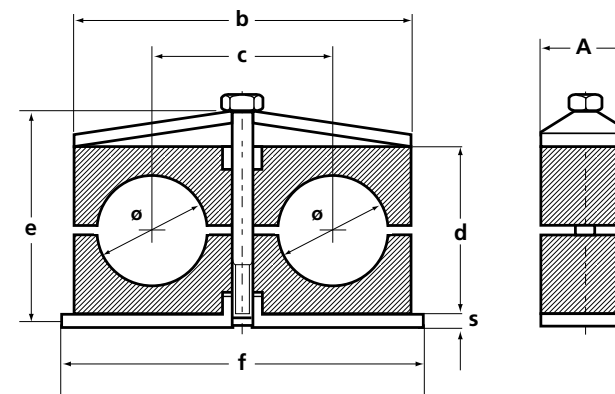
<b>CLAMP SET BORE</b>
Pipe and tube clamp sizes have a profiled bore. For hose and special applications add "H" to the part number for a smooth bore.



❶ Not available in all sizes. See page 79 for availability.

# Twin Series

## Sizes and Dimensions



PCI DIN		DIAMETER					DIMENSIONS						BAG/ QTY.		
GROUP	GROUP	Ø	—	PIPE NOMINAL BORE	—	TUBE O.D.	COMPLETE ASSEMBLY PART #	A	B	C	D	F	S	E	BAG QTY.
1	1	6	0.24	—	—	—	AT1-06H-A	30mm	34mm	20mm	25mm	37mm	3mm	35mm	50
		6.4	1.25	—	1/4"	—	AT1-6.4-A*								
		8	1.31	—	5/16"	—	AT1-8-A								
		9.5	0.37	—	3/8"	—	AT1-9.5-A*								
		10	0.39	1/8"	—	—	AT1-10-A								
		12	0.47	—	—	—	AT1-12H-A								
2	2	12.7	0.50	—	1/2"	—	AT2-12.7-A*	30mm	53mm	29mm	26mm	55mm	5mm	36mm	50
		13.5	0.53	1/4"	—	—	AT2-13.5-A*								
		14	0.55	—	—	—	AT2-14H-A								
		15	0.59	—	—	—	AT2-15H-A								
		16	0.63	—	5/8"	—	AT2-16-A*								
		17.2	0.67	3/8"	—	—	AT2-17.2-A*								
3	3	18	0.71	—	—	—	AT2-18H-A	30mm	67mm	36mm	37mm	70mm	5mm	47mm	50
		19	0.75	—	3/4"	—	AT3-19-A*								
		20	0.79	—	—	—	AT3-20H-A								
		21.3	0.84	1/2"	—	—	AT3-21.3-A*								
		22	0.87	—	7/8"	—	AT3-22-A*								
		25	0.98	—	—	—	AT3-25H-A								
4	4	25.4	1.00	—	1"	—	AT3-25.4-A*	30mm	82mm	45mm	42mm	85mm	5mm	52mm	25
		26.9	1.06	3/4"	—	—	AT4-26.9-A								
		28	1.10	—	—	—	AT4-28H-A*								
		30	1.18	—	—	—	AT4-30-A								
5	5	32	1.25	—	1 1/4"	—	AT5-32-A*	30mm	106mm	56mm	54mm	110mm	5mm	64mm	25
		33.7	1.33	1"	—	—	AT5-33.7-A*								
		35	1.38	—	—	—	AT5-35H-A								
		38	1.50	—	1 1/2"	—	AT5-38-A								
		40	1.57	—	—	—	AT5-40H-A								
		42	1.65	—	—	—	AT5-42H-A								
42.4	1.67	1 1/4"	—	—	AT5-42.4-A										

To order a set of inserts only, omit the "A" from the end of the part number.

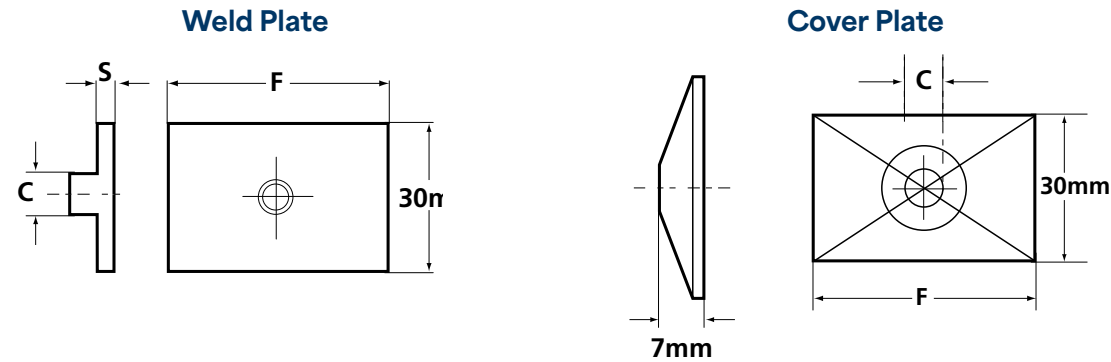
\*Available in black. Add "B" prefix to part number.

NOTE: "H" in part number designates a smooth bore insert.

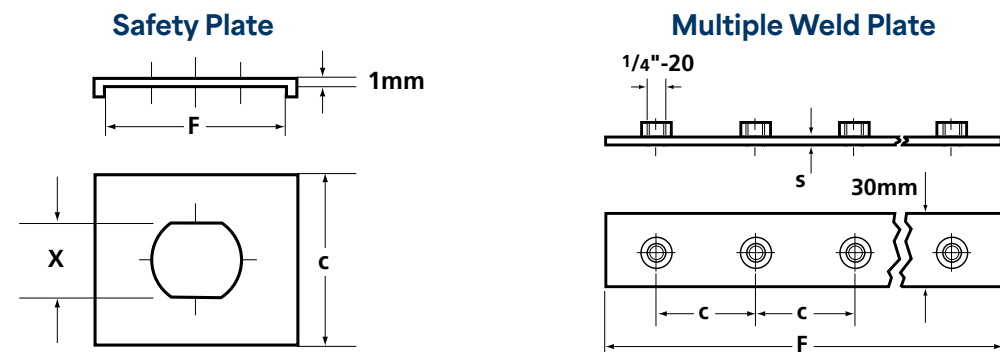


# Twin Series

## Components



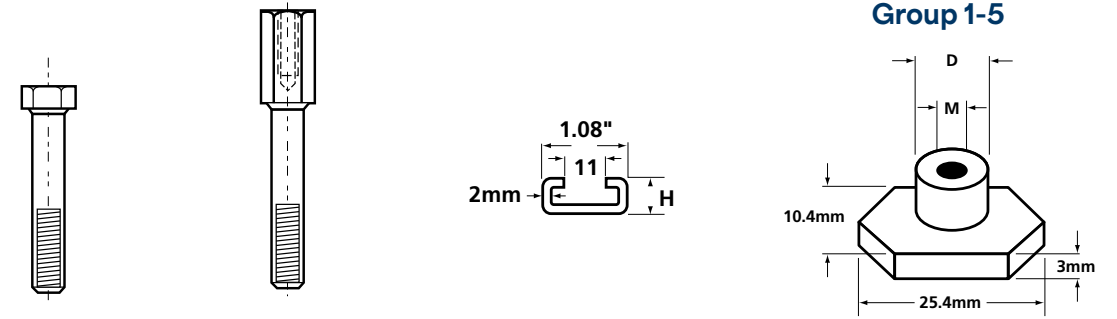
GROUP	DIMENSIONS				BAG QTY.	DIMENSIONS			BAG QTY.
	PART NUMBER	F	C	S		PART NUMBER	F	C	
1	WPT1	37mm 1.46	12mm 0.79	3mm 0.12	50	CPT1	35mm 1.38	7mm 0.28	50
2	WPT2	55mm 2.17	14mm 0.55	5mm 0.20	50	CPT2	52mm 2.05	9mm 0.35	50
3	WPT3	70mm 2.76	14mm 0.55	5mm 0.20	50	CPT3	66mm 2.60	9mm 0.35	50
4	WPT4	85mm 3.35	14mm 0.55	5mm 0.20	25	CPT4	81mm 3.19	9mm 0.35	25
5	WPT5	110mm 4.33	14mm 0.55	5mm 0.20	25	CPT5	105mm 4.13	9mm 0.35	25



GROUP	DIMENSIONS				CLAMPS PER PLATE	DIMENSIONS			CLAMPS PER PLATE
	PART NUMBER	F	C	X		PART NUMBER	F	C	
1	SPT1	30mm 1.18"	30mm 1.18"	11mm 0.43"	MWPT1	200mm 7.87"	40mm 1.57"	3mm 0.12"	5
2	SPT2	30mm 1.18"	30mm 1.18"	13mm 0.51"	MWPT2	290mm 11.42"	58mm 2.28"	5mm 0.20"	5
3	SPT3	30mm 1.18"	30mm 1.18"	13mm 0.51"	MWPT3	360mm 14.17"	72mm 2.83"	5mm 0.20"	5
4	SPT4	30mm 1.18"	30mm 1.18"	13mm 0.51"	MWPT4	450mm 17.72"	90mm 3.54"	5mm 0.20"	5
5	SPT5	30mm 1.18"	30mm 1.18"	13mm 0.51"	MWPT5	560mm 22.05"	112mm 4.41"	5mm 0.20"	5

# Twin Series

## Components



Hex Head Bolt      Stacking Bolt      Mounting Rail      Rail Nut

GROUP	PART NUMBER					
	PART NUMBER SIZE	PART NUMBER SIZE	HEIGHT H	LENGTH L	PART NUMBER M	PART NUMBER D
1	HB2/T1 1/4\" - 20 x 13/8"	SBT/1 1/4\" - 20 x .79"	MR-11-2 11mm	2m	RNS/T1 1/4\" - 20	12mm 0.47"
	-	-	0.43	6.56	-	-
2	HBT/2 5/16\" - 18 x 13/8"	SBT/2 5/16\" - 18 x .79"	MR-11-2 11mm	2m	RNT2/5 5/16\" - 18	14mm 0.55"
	-	-	0.43	6.56		
3	HBT/3 5/16\" - 18 x 13/4"	SBT/3 5/16\" - 18 x 1.14"	MR-11-2 11mm	2m		
	-	-	0.43	6.56		
4	HBT/4 5/16\" - 18 x 2"	SBT/4 5/16\" - 18 x 1.34"	MR-11-2 11mm	2m		
	-	-	0.43	6.56		
5	HBT/5 5/16\" - 18 x 2 1/2"	SBT/5 5/16\" - 18 x 1.85"	MR-11-2 11mm	2m		
	-	-	0.43	6.56		

# Heavy Duty Clamps

## Ordering Example



### Features

- Meets DIN 3015-2 specifications
- Interchangeable with:
  - Stauff
  - ZSI
  - Behringer

### Temp. Rating

- Polypropylene: -22°F to 195°F
- Aluminum: -40°F to 570°F

AH3 - 33.7 - A

#### CLAMP SET MATERIAL

Polypropylene (Green) A  
Aluminum L

#### GROUP SIZE

Refer to Charts on Pages 83-84

#### CLAMP SET ID

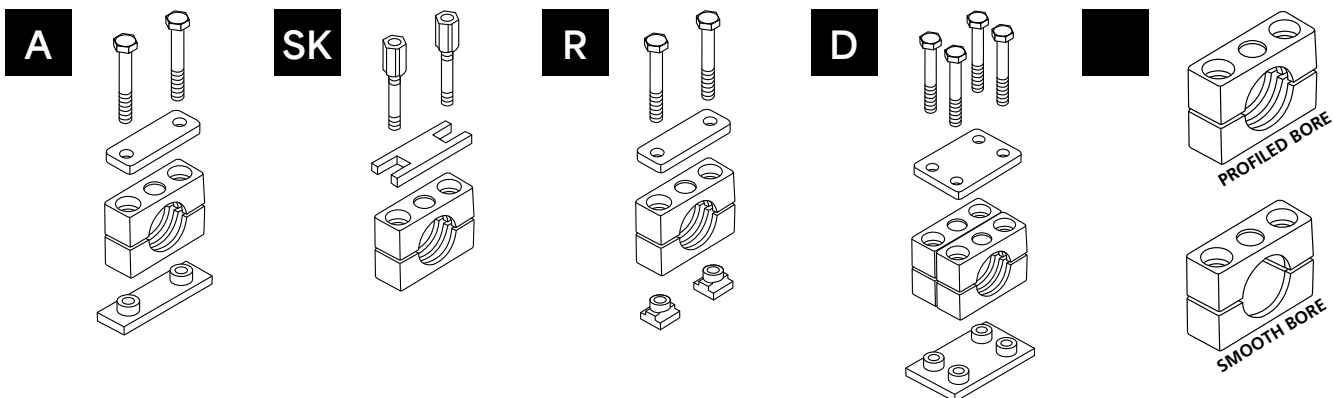
Refer to Charts on Pages 83-84

#### DESCRIPTION

- A** Clamp with Weld Plate, Cover Plate and Bolts
- SK** Clamp with Stacking Kit
- R** Clamp with Rail Nuts, Cover Plate and Bolts
- D** Double Clamp with Weld Plate, Cover Plate and Bolts
- Clamp Set Only

#### CLAMP SET BORE

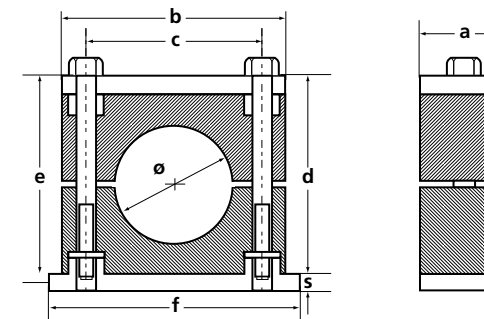
Pipe and tube clamp sizes have a profiled bore.  
For hose and special applications add "H" to the part number for a smooth bore.



ⓘ Not available in all sizes. Contact PCI for availability.

# Heavy Duty

## Sizes and Dimensions - Group 1-4



PCI DIN		DIAMETER					DIMENSIONS							BAG/ QTY.
GROUP	GROUP	∅	∅	PIPE NOMINAL BORE	TUBE O.D.	COMPLETE ASSEMBLY PART #	A	B	C	D	F	S	E	BAG QTY.
1	1	6.4	0.25	—	1/4"	AH1-6.4-A	30mm 1.18"	55mm 2.17"	33mm 1.30"	32mm 1.26"	73mm 2.87"	8mm 0.31"	48mm 1.89"	25
		8	0.31	—	5/16"	AH1-08-A								
		9.5	0.37	—	3/8"	AH1-9.5-A								
		10	0.39	1/8"	—	AH1-10-A								
		12	0.47	—	—	AH1-12H-A								
		12.7	0.50	—	1/2"	AH1-12.7-A								
		13.5	0.53	1/4"	—	AH1-13.5-A †								
		14	0.55	—	—	AH1-14H-A †								
		15	0.59	—	—	AH1-15H-A †								
		16	0.63	—	5/8"	AH1-16-A †								
17.2	0.68	3/8"	—	AH1-17.2-A										
18	0.71	—	—	AH1-18H-A †										
2	2	19	0.75	—	3/4"	AH2-19-A	30mm 1.18"	70mm 2.76"	45mm 1.77"	48mm 1.89"	85mm 3.35"	8mm 0.31"	76mm 2.52"	25
		20	0.79	—	—	AH2-20H-A								
		21.3	0.84	1/2"	—	AH2-21.3-A								
		22	0.87	—	7/8"	AH2-22-A †								
		25	0.98	—	—	AH2-25H-A								
		25.4	1.00	—	1"	AH2-25.4-A								
		26.9	1.06	3/4"	—	AH2-26.9-A								
		28	1.10	—	—	AH2-28-A †								
30	1.18	—	—	AH2-30-A †										
3	3	30	1.18	—	—	AH3-30H-A †	30mm 1.18"	85mm 3.35"	60mm 2.36"	100mm 2.36"	30mm 3.94"	8mm 0.31"	76mm 2.99"	25
		32	1.25	—	1 1/4"	AH3-32-A								
		33.7	1.33	1"	—	AH3-33.7-A								
		35	1.38	—	—	AH3-35H-A †								
		38	1.50	—	1 1/2"	AH3-38-A								
		40	1.57	—	—	AH3-40H-A †								
		42.4	1.67	1 1/4"	—	AH3-42.4-A								
4	4	38	1.50	—	1 1/2"	AH4-38-A	45mm 1.77"	120mm 4.72"	90mm 3.54"	90mm 3.54"	140mm 5.51"	10mm 0.39"	110mm 4.33"	—
		42	1.65	—	—	AH4-42H-A								
		42.4	1.67	1 1/4"	—	AH4-42.4-A								
		44.5	1.75	—	1 3/4"	AH4-44.5-A								
		48.3	1.90	1 1/2"	—	AH4-48.3-A								
		50	1.97	—	—	AH4-50H-A †								
		50.8	2.0	—	2"	AH4-50.8-A								
		55	2.17	—	—	AH4-55H-A †								
		57	2.24	—	2 1/4"	AH4-57-A †								
		60.3	2.37	2"	—	AH4-60.3-A								
		63.5	2.50	—	2 1/2"	AH4-63.5-A								
		65	2.56	—	—	AH4-65H-A †								
70	2.76	—	2 3/4"	AH4-70-A †										

To order a set of inserts only, omit the "A" from the end of the part number.

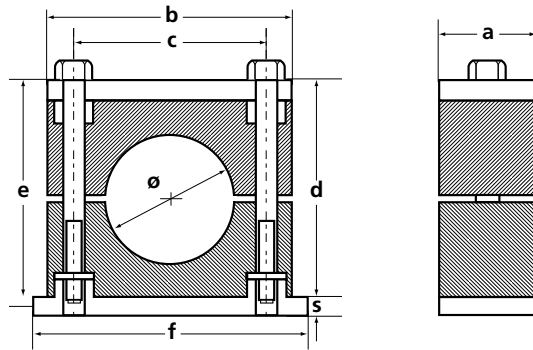
For aluminum inserts, change prefix "A" to "L".

† Not available in aluminum.

NOTE: "H" in part number designates a smooth bore insert.

# Heavy Duty

## Sizes and Dimensions - Group 5-8

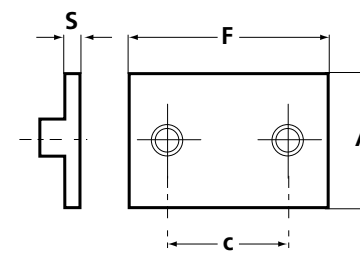


PCI	DIN	DIAMETER				PART #	DIMENSIONS						
		Ø	Ø	PIPE NOMINAL BORE	TUBE O.D.		A	B	C	D	F	S	E
5	5	65	2.56	—	—	AH5-65H-A †	60mm 2.38"	152mm 5.98"	122mm 4.80"	120mm 4.72"	180mm 7.09"	10mm 0.39"	140mm 5.51"
		70	2.76	—	2 3/4"	AH5-70-A †							
		75	2.95	—	—	AH5-75H-A †							
		76.1	3.00	2 1/2"	3"	AH5-76.1-A							
		80	3.15	—	—	AH5-80H-A †							
		82.5	3.25	—	3 1/4"	AH5-82.5-A †							
6	6	88.9	3.50	3"	3 1/2"	AH5-88.9-A	80mm 3.15"	205mm 8.07"	168mm 6.61"	170mm 6.69"	225mm 8.86"	15mm 0.59"	200mm 7.87"
		100	3.94	—	—	AH6-100H-A							
		101.6	4.00	3 1/2"	4"	AH6-101.6-A							
		108	4.25	—	4 1/4"	AH6-108-A							
7	7	114.3	4.50	4"	4 1/2"	AH6-114.3-A	90mm 3.54"	250mm 9.84"	205mm 8.07"	200mm 7.87"	2.70mm 10.63"	15mm 0.59"	230mm 9.06"
		127	5.00	4 1/2"	5"	AH6-127-A							
		133	5.25	—	5 1/4"	AH7-133-A							
8	8	139.7	5.50	5"	5 1/2"	AH7-139.7-A	120mm 4.72"	320mm 12.60"	265mm 10.43"	270mm 10.63"	340mm 13.39"	25mm 0.98"	320mm 12.60"
		152.4	6.00	5 1/2"	6"	AH7-152.4-A							
		168.3	6.63	6"	—	AH7-168.3-A							
8	8	168.3	6.63	6"	—	AH8-168.3-A	120mm 4.72"	320mm 12.60"	265mm 10.43"	270mm 10.63"	340mm 13.39"	25mm 0.98"	320mm 12.60"
		219.1	8.63	8"	—	AH8-219-A							

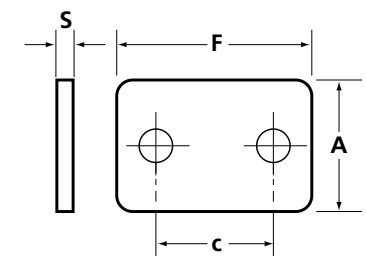
To order a set of inserts only, omit the "A" from the end of the part number.  
 For aluminum inserts, change prefix "A" to "L".  
 Aluminum inserts available through Group 5 only.  
 † Not available in aluminum.

# Heavy Duty

## Components

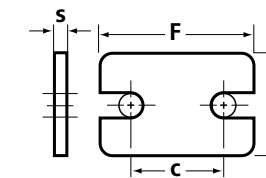


Weld Plate



Cover Plate

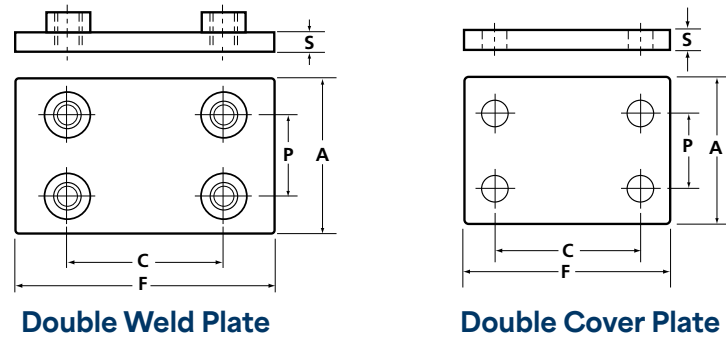
GROUP	PART NUMBER	DIMENSIONS				BAG QTY.	PART NUMBER	DIMENSIONS				BAG QTY.
		A	F	C	S			A	F	C	S	
1	WPH1	30mm 1.18"	75mm 2.95"	33mm 1.30"	8mm 0.31"	25	CPH1	30mm 1.18"	55mm 2.17"	33mm 1.30"	8mm 0.31"	25
2	WPH2	30mm 1.18"	87mm 3.43"	45mm 1.77"	8mm 0.31"	25	CPH2	30mm 1.18"	70mm 2.76"	45mm 1.77"	8mm 0.31"	25
3	WPH3	30mm 1.18"	102mm 4.02"	60mm 2.36"	8mm 0.31"	25	CPH3	30mm 1.18"	85mm 3.35"	60mm 2.36"	8mm 0.31"	25
4	WPH4	45mm 1.77"	140mm 5.51"	90mm 3.54"	10mm 0.39"	—	CPH4	45mm 1.77"	120mm 4.72"	90mm 3.54"	10mm 0.39"	—
5	WPH5	60mm 2.36"	180mm 7.09"	122mm 4.80"	10mm 0.39"	—	CPH5	60mm 2.36"	152mm 5.98"	122mm 4.80"	10mm 0.39"	—
6	WPH6	80mm 3.15"	225mm 8.86"	168mm 6.61"	15mm 0.59"	—	CPH6	80mm 3.15"	205mm 8.07"	168mm 6.61"	15mm 0.59"	—
7	WPH7	90mm 3.54"	270mm 10.63"	205mm 8.07"	15mm 0.59"	—	CPH7	90mm 3.54"	250mm 9.84"	205mm 8.07"	15mm 0.59"	—
8	WPH8	120mm 4.72"	340mm 13.39"	265mm 10.43"	25mm 0.98"	—	CPH8	120mm 4.72"	320mm 12.60"	265mm 10.43"	25mm 0.98"	—



Safety Plate

GROUP	PART NUMBER	DIMENSIONS			
		A	F	C	S
1	SPH1	30mm 1.18"	55mm 2.17"	33mm 1.30"	8mm 0.31"
2	SPH2	30mm 1.18"	70mm 2.76"	45mm 1.77"	8mm 0.31"
3	SPH3	30mm 1.18"	85mm 3.35"	60mm 2.36"	8mm 0.31"
4	SPH4	45mm 1.77"	120mm 4.72"	90mm 3.54"	10mm 0.39"
5	SPH5	60mm 2.36"	152mm 5.98"	122mm 4.80"	10mm 0.39"

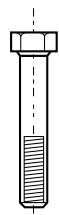
# Heavy Duty Components



Double Weld Plate

Double Cover Plate

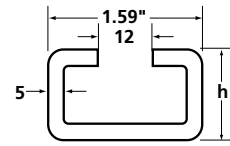
GROUP	PART NUMBER	DIMENSIONS					PART NUMBER	DIMENSIONS				
		A	F	S	C	P		A	F	S	C	P
1	WPHD1	60mm 2.36"	74mm 2.91"	8mm 0.31"	33mm 1.30"	31mm 1.22"	CPHD1	60mm 2.36"	56mm 2.20"	8mm 0.31"	33mm 1.30"	31mm 1.22"
2	WPHD2	60mm 2.36"	85mm 3.39"	8mm 0.31"	45mm 1.77"	31mm 1.22"	CPHD2	60mm 2.36"	70mm 2.76"	8mm 0.31"	45mm 1.77"	31mm 1.22"
3	WPHD3	60mm 2.36"	100mm 3.94"	8mm 0.31"	60mm 2.36"	31mm 1.22"	CPHD3	60mm 2.36"	85mm 3.35"	8mm 0.31"	60mm 2.36"	31mm 1.22"
4	WPHD4	90mm 3.54"	140mm 5.51"	10mm 0.39"	90mm 3.54"	46mm 1.81"	CPHD4	90mm 3.54"	116mm 4.57"	10mm 0.39"	90mm 3.54"	46mm 1.81"
5	WPHD5	120mm 4.72"	160mm 7.09"	10mm 0.39"	122mm 4.80"	61mm 2.40"	CPHD5	120mm 4.72"	153mm 6.02"	10mm 0.39"	122mm 4.80"	61mm 2.40"



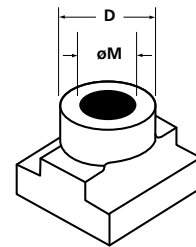
Hex Head Bolt



Stacking Bolt



Mounting Rail



Rail Nut

GROUP	PART NUMBER SIZE	PART NUMBER SIZE	PART NUMBER		PART NUMBER	
			HEIGHT H	LENGTH L	M	D
1	HBH1 3/8" - 16 x 13/4"	SBH1 3/8" - 16 x 1.02"	MRH-2		RNH1/3	
			22mm 0.87	2m 6.56'	-	18 0.71
2	HBH2 3/8" - 16 x 21/4"	SBH2 3/8" - 16 x 1.61"	-	-	RNH1/3	
			-	-	-	18 0.71
3	HBH3 3/8" - 16 x 23/4"	SBH3 3/8" - 16 x 2.05"	-	-	RNH1/3	
			-	-	-	18 0.71
4	HBH4 7/16" - 14 x 4"	SBH4 7/16" - 14 x 3.27"	-	-	RNH4	
			-	-	-	20 0.79
5	HBH5 5/8" - 11 x 51/4"	SBH5 5/8" - 11 x 4.33"	-	-	-	-
6	HBH6 3/4" - 10 x 71/2"	-	-	-	-	-
7	HBH7 7/8" - 9 x 81/2"	-	-	-	-	-
8	HBH8 1 1/8" - 7 x 12"	-	-	-	-	-



Fast. Friendly. Reliable.

# PCI Hydraulics+

We are a leading supplier of quality hydraulic components including high pressure ball valves, quick disconnect couplings, diagnostic products and pipe, tube and hose clamps.

## Why Choose Us

### Complete Interchange

We have the most complete interchange available in our quick coupling and clamp lines. Coupling sizes from 1/8" to 2" with various threads and clamp sizes from 6MM to 8" pipe.

### Quality First

We only partner with the best worldwide manufacturers in the industry.

### Warranty

We offer a one year warranty from date of purchase.

### Engineering & Testing

We have full value added engineering and testing capabilities.

### Certified

Our high pressure ball valve line carries multiple certifications including ISO-9001, Lloyd's register, DNV, TUV and DVGW.

### Priority Service

Every order at PCI is a priority.

## Industries We Work With

- Industrial
- Agricultural
- Offshore
- Mining
- Construction
- Pressure Wash
- Petrochemical
- Renewable Energies
- And more

**440.349.4020**  
**pcihydraulics.com**



# Terms and Conditions

Pressure Components Inc. (herein called "PCI" warrants the products described in this catalog to be free from defects in material and workmanship for a period of (1) year from date of shipment by PCI under normal use and service.

PCI's sole obligation under this warranty being limited to repairing or replacing, at it's option, any product found to PCI's satisfaction to be defective upon examination. The repair or replacement of any defective product will be made without charge for parts or labor.

This warranty shall not apply to: (a) parts or products that have been subject to abuse, negligence or misapplication. (b) parts that have been added to the original product, such as but not limited to fittings, bushings and reducers, and were not an original part of the product originally provided. (c) parts that have been altered or repaired by someone other than PCI.

To the extent permitted by law, this limited warranty shall extend only to the buyer and any other person reasonably expected to use or consume the goods who may become injured by any breach of said warranty. No action may be brought against PCI for an alleged breach of warranty unless such action is instituted within one (1) year from the date of the cause of action accrues.

Other than the obligation of PCI set forth herein, PCI disclaims all warranties, expressed or implied, including but not limited to any implied warranties of merchantability or fitness for a particular purpose, and any other obligation or liability. The foregoing constitutes PCI's sole obligation with respect to damages, whether direct, incidental or consequential, resulting from the use or performance of the product.

Product dimension, performance, characteristics or material properties are subject to change without notice.

---

## Payment: Net minimum billing \$25.00

Net 30 day terms will apply after credit has been established. Automatic C.O.D. if credit terms are not met. We accept most major credit cards. Pricing subject to change without notice.

---

## Returned Goods

All returns MUST be assigned an RGA number, The RGA number must appear on all paperwork. If any product is being returned for any other reason than product defect, a 20% restocking charge will be deducted from the credit. Products being returned for credit must be in re-saleable condition and the freight must be prepaid. Credit balances can be offset by material purchases only. Any credit issued by PCI must be used within a 6 month period from date it was issued. Cash payments are NOT ALLOWED under any circumstances.

---

## Insurance

PCI carries product liability insurance and will provide a copy at your request.

---

## Billing or Shipping errors

Errors in shipping or billing must be reported within 10 days of receipt of order.

---

## Special Orders

Special orders are non-cancelable and non-returnable. Products that are considered "special" will be noted on all order confirmations.

---

## Shipping

All shipments are FOB origin.

---



W A R N I N G

Products in this catalog can cause serious injury to equipment and persons if not used properly. Never exceed rated pressures stated in the PCI catalog. Stated working pressures are rated in p.s.i. Inspect products on a regular basis while in service. Products in this catalog are used in thousands of applications in varying situations. It is not possible for us to warranty the use of a specific product for a singular application. The user is responsible for selecting, installing and testing the final configuration to insure that all performance, safety and warning requirements are met.

*Fast. Friendly. Reliable.*



[pcihydraulics.com](http://pcihydraulics.com)